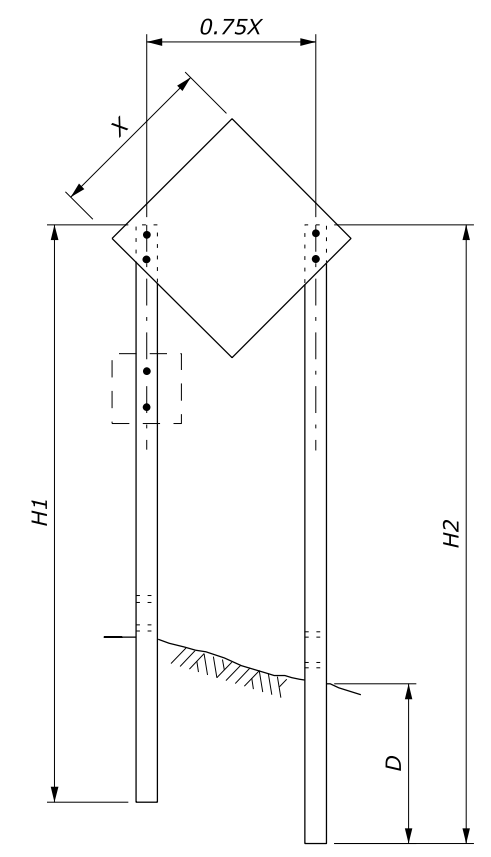
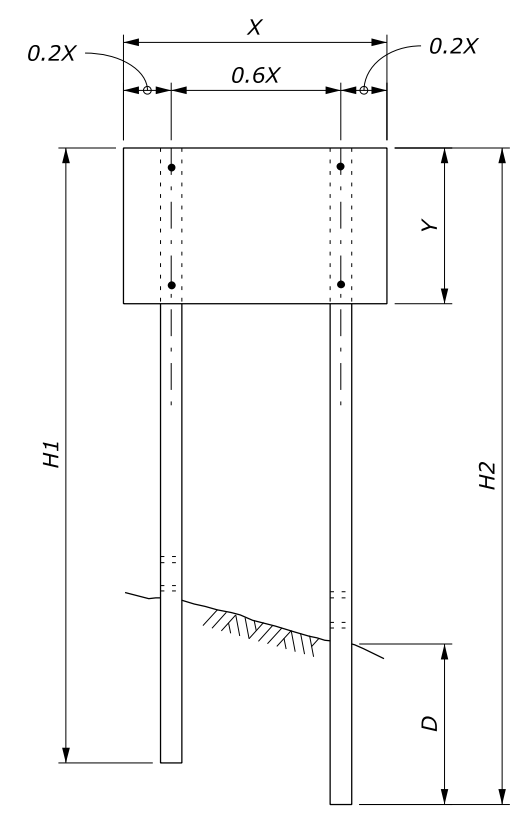


SINGLE POST SIGN



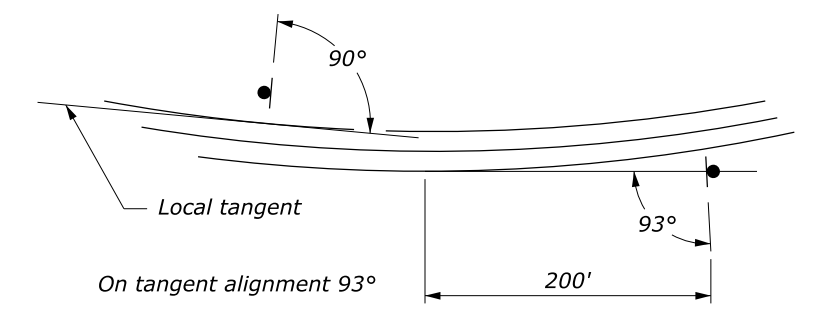
TWO POST SIGN



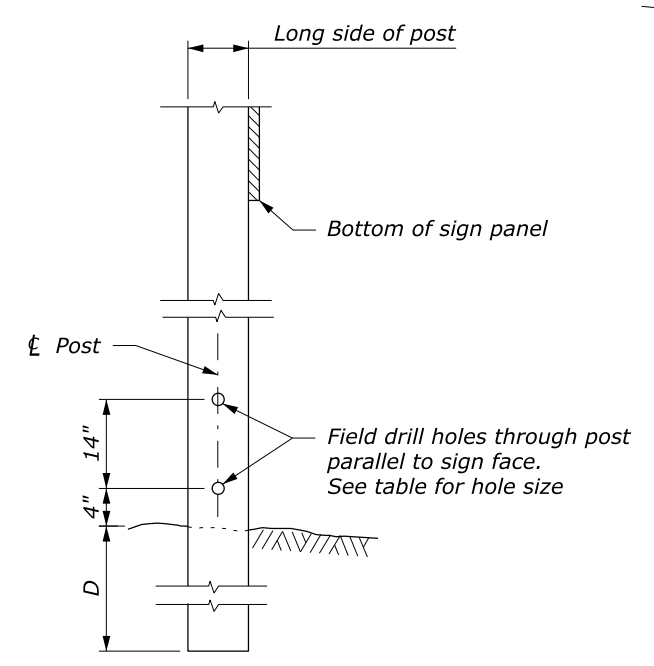
NOTE:

1. Attach sign panels with a minimum of 2 - 1/4" dia. bolts per post.
2. H1 and H2 = Overall post length. Select post lengths to fit field conditions.
3. D = Post embedment depth for average soil conditions.
4. In areas where lateral distance is limited, a minimum lateral offset of 2' may be used. In areas with curbs, a minimum lateral distance of 1' behind the face of the curb may be used.
5. In pedestrian locations, or in areas with obstructed views, use 7' minimum mounting height for main sign and 6' minimum mounting height for secondary sign.
6. Use 7' minimum spacing between posts for sign posts 6" x 6" or larger.
7. State standards may be used as an alternative if approved by the CO.

WOOD POST SELECTION TABLE					
WIDTH "X"	AREA (SQFT)	NUMBER OF POSTS	POST SIZE (INCH)	D (INCH)	HOLE SIZE (INCH)
Diamond ≤ 36" Other Shapes ≤ 48"	< 10	1	4 x 4	36	0
		1	4 x 6	48	1.5
Diamond ≤ 48"	10 - 20	1	6 x 6	48	2
Diamond ≤ 48" Other Shapes ≤ 12'	10 - 20	2	4 x 4	36	0
	20 - 50	2	4 x 6	48	1.5
> 13'	50 - 65	2	6 x 6	48	2
12' - 16'	50 - 65	3	4 x 6	48	1.5
> 17'	65 - 95	4	4 x 6	48	1.5
> 30'	65 - 95	3	6 x 6	48	2



SIGN INSTALLATION ANGLE



POST DETAIL

U.S. DEPARTMENT OF TRANSPORTATION
 FEDERAL HIGHWAY ADMINISTRATION
 FEDERAL LANDS HIGHWAY

U.S. CUSTOMARY STANDARD

**TEMPORARY TRAFFIC CONTROL
 SIGN INSTALLATION
 WOOD POSTS**

STANDARD APPROVED FOR USE 6/2005

REVISID: DRAFT: 10/2017

STANDARD 635-14

NO SCALE