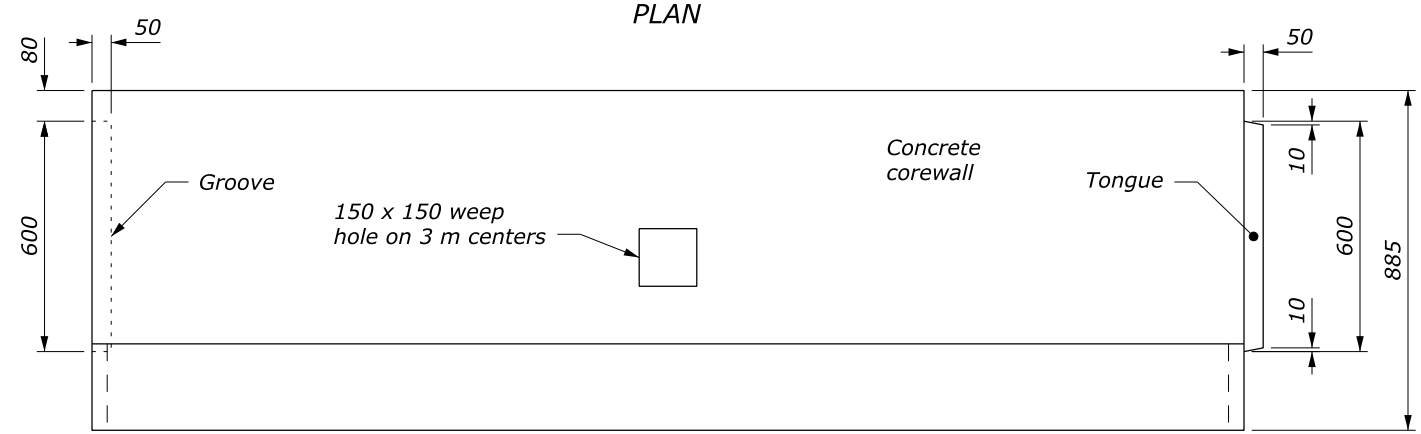
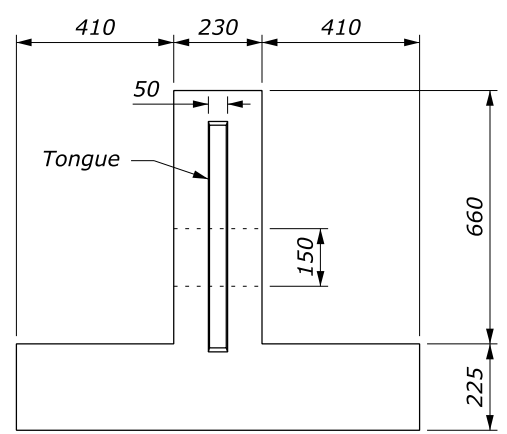


PLAN

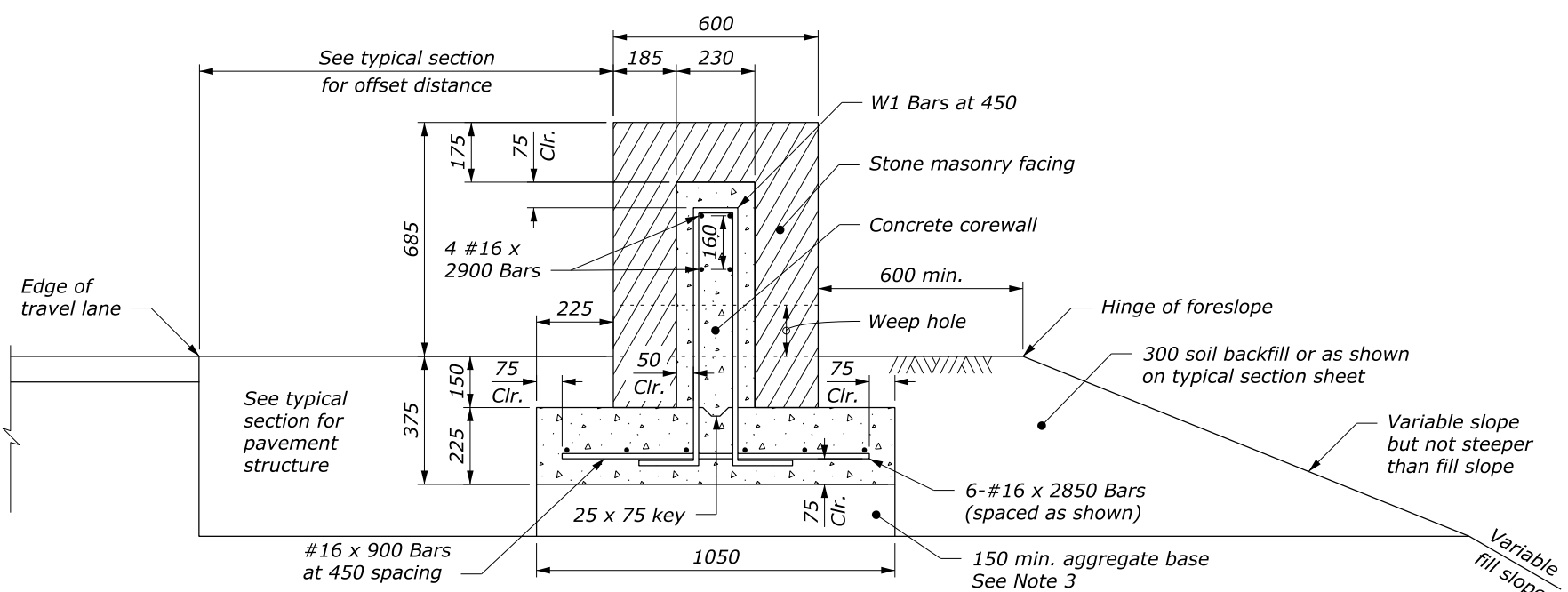


ELEVATION

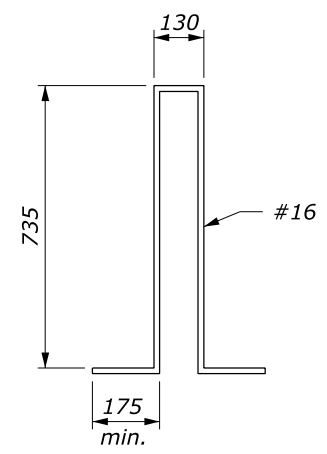


END VIEW

PRECAST CONCRETE COREWALL



TYPICAL GUARDWALL CROSS SECTION (DOUBLE FACE)



W1 BAR BENDING DIAGRAM

NOTE:

1. Form construction joints in the corewall at 9 m intervals or at the option of the Contractor, construct the corewall of precast concrete units.
2. Use cast-in-place corewall on curves with radius less than 50 m.
3. Depth of base may be less than 150 mm as directed by the CO, when the foundation is on either rock fill or solid rock.
4. Set galvanized metal slots with anchors for the stone work or other approved type of metal anchors in the concrete. Equivalent attachment systems are allowed with the approval of the CO.
5. Dimensions without units are millimeters

NO SCALE

U.S. DEPARTMENT OF TRANSPORTATION FEDERAL HIGHWAY ADMINISTRATION FEDERAL LANDS HIGHWAY	
METRIC STANDARD	
STONE MASONRY GUARDWALL (DOUBLE FACE)	
STANDARD APPROVED FOR USE 3/1996	STANDARD
REVISED: 5/1997 6/2005	M620-2

24 August 2015 1:55 PM c:\myfiles\pw_production\dms67489\Std620-2.dgn [Metric]