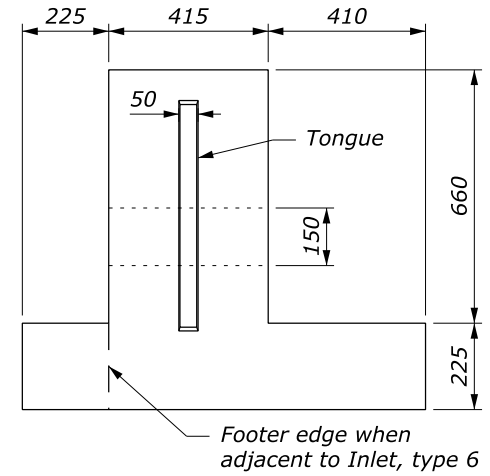


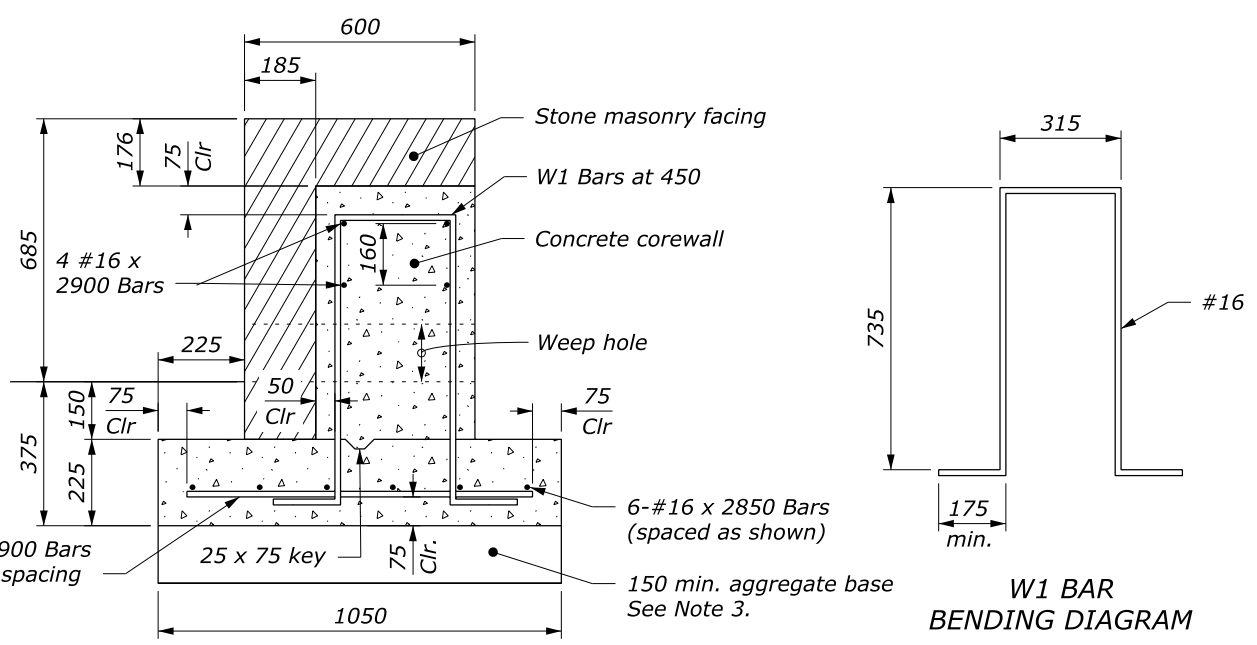
PRECAST CONCRETE COREWALL



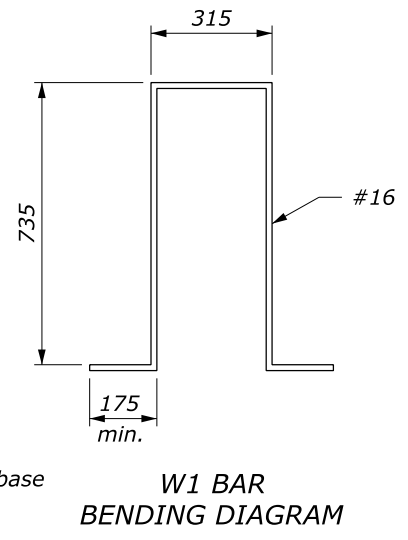
END VIEW

NOTE:

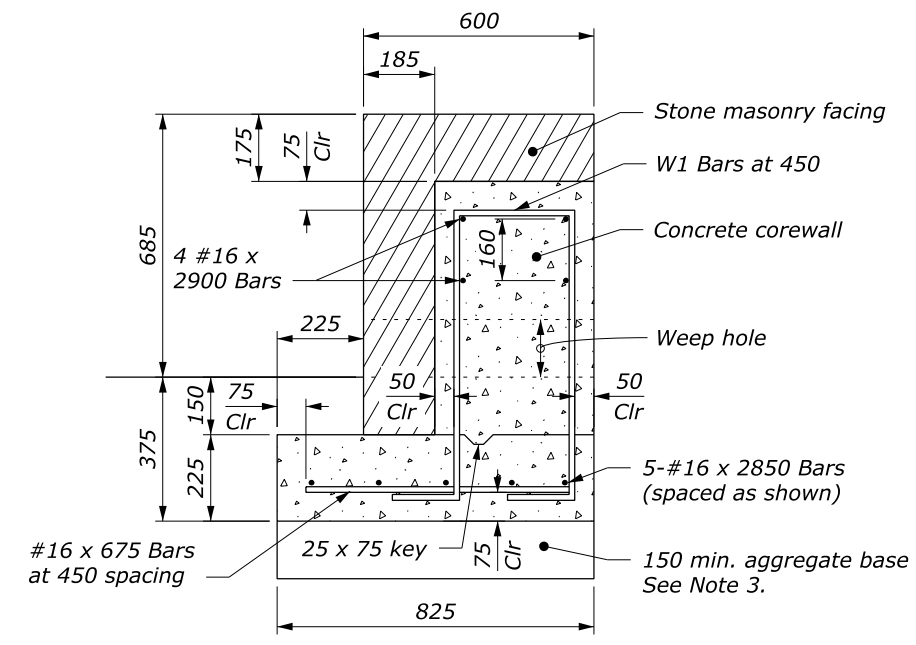
1. Form construction joints in the corewall at 9 m intervals or at the option of the Contractor, construct the corewall of precast concrete units.
2. Use cast-in-place corewall on curves with radius less than 50 m.
3. Depth of base may be less than 150 mm as directed by the CO, when the foundation is on either rock fill or solid rock.
4. See Typical Section for guardwall offset distance and pavement structure.
5. Set galvanized metal slots with anchors for the stone work or other approved type of metal anchors in the concrete. Equivalent attachment systems are allowed with the approval of the CO.
6. Dimensions without units are millimeters.



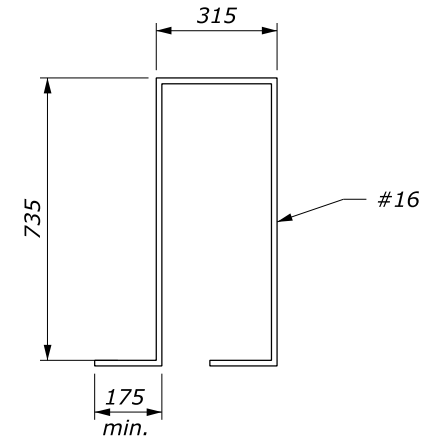
TYPICAL GUARDWALL CROSS SECTION (SINGLE FACE ADJACENT TO CUT SLOPE)



W1 BAR BENDING DIAGRAM



TYPICAL GUARDWALL CROSS SECTION (SINGLE FACE ADJACENT TO INLET, TYPE 6A)



W1 BAR BENDING DIAGRAM

U.S. DEPARTMENT OF TRANSPORTATION FEDERAL HIGHWAY ADMINISTRATION FEDERAL LANDS HIGHWAY	
METRIC STANDARD	
STONE MASONRY GUARDWALL (SINGLE FACE)	
STANDARD APPROVED FOR USE 6/2005	STANDARD M620-1
REVISED:	

NO SCALE

c:\myfiles\pw_production\dms67489\Std620-1.dgn [Metric] 24 August 2015 2:23 PM