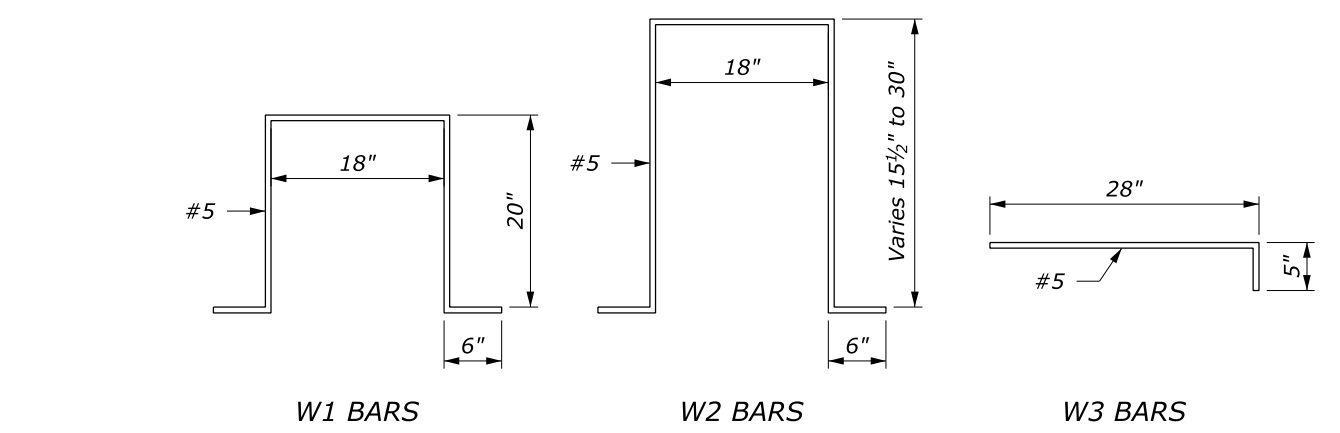
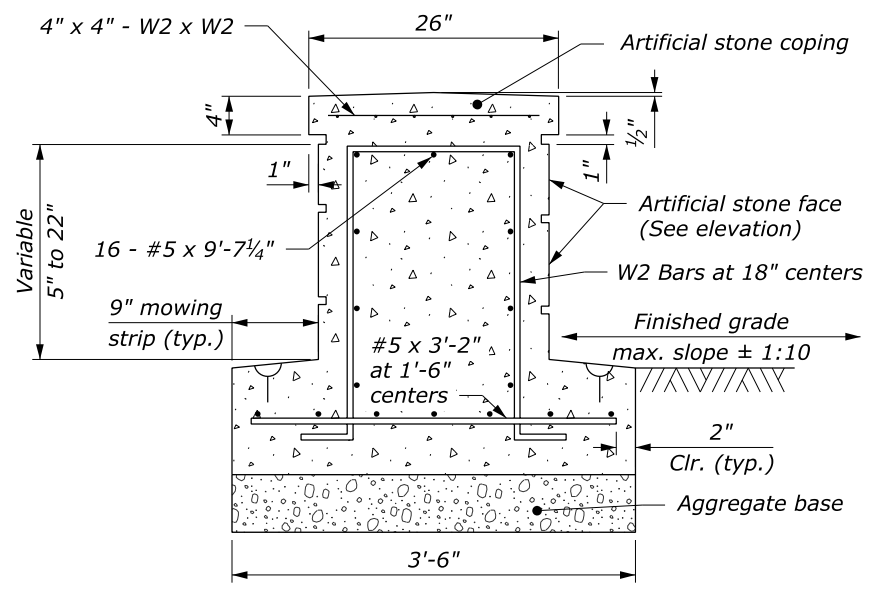


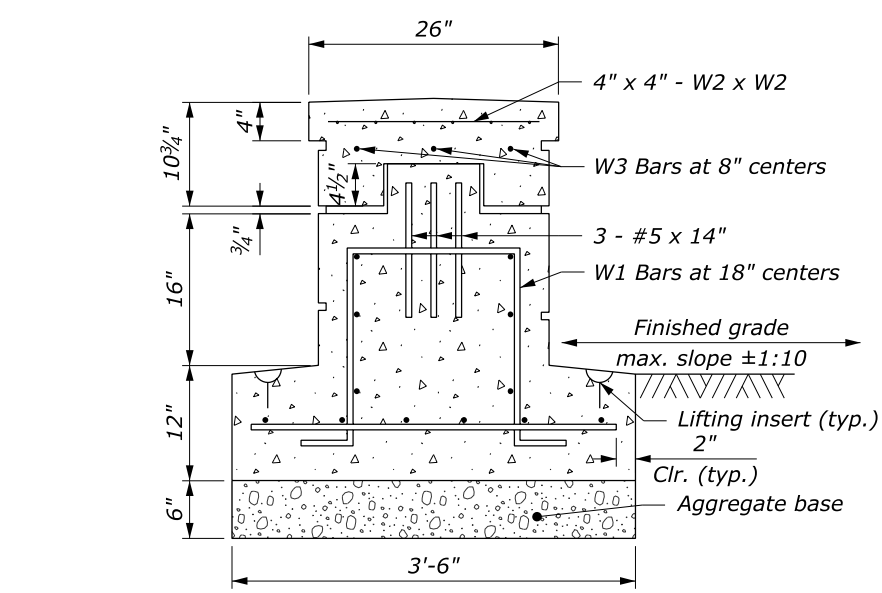
TERMINAL SECTIONS



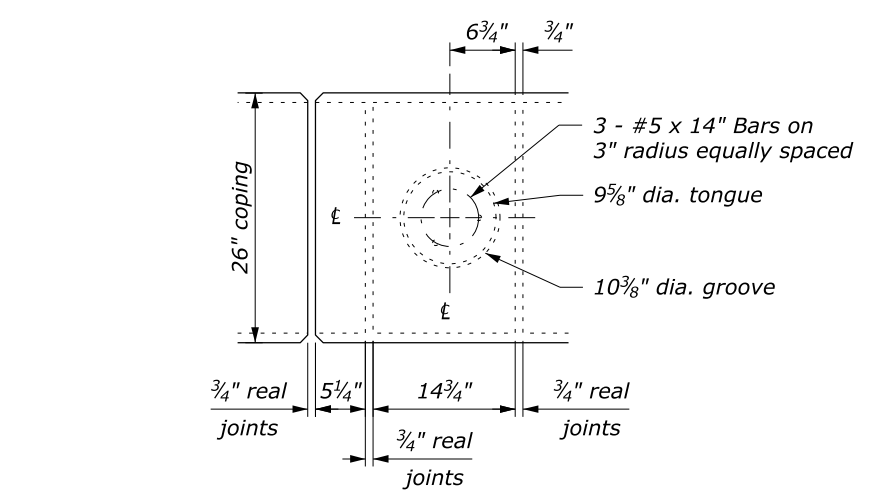
BENDING DIAGRAMS



SECTION A-A



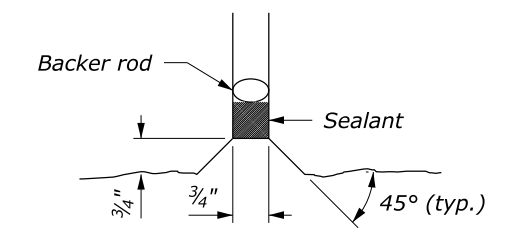
SECTION B-B



SECTION C-C

NOTE:

1. Terminal sections, Type A and Type B, interlock with any of the precast concrete guardwall segments.
2. Sealant for the real joint covers the perimeter joint of the capstone, sides, and top and sides of the footing.
3. Precast the entire wall section; no cast-in-place allowed.
4. Minimum concrete cover 2" unless shown otherwise.
5. Place guardwall terminal section outside the clear zone by using the appropriate flare rate in guardwall layout (see Standard 618-2) and as directed by CO.



REAL JOINTS DETAIL

U.S. DEPARTMENT OF TRANSPORTATION FEDERAL HIGHWAY ADMINISTRATION FEDERAL LANDS HIGHWAY	
U.S. CUSTOMARY STANDARD PRECAST CONCRETE GUARDWALL, TYPE 1, TERMINAL SECTIONS, TYPE A AND B	
STANDARD APPROVED FOR USE 3/1990 REVISED: 4/1994 6/2005	STANDARD 618-3

NO SCALE