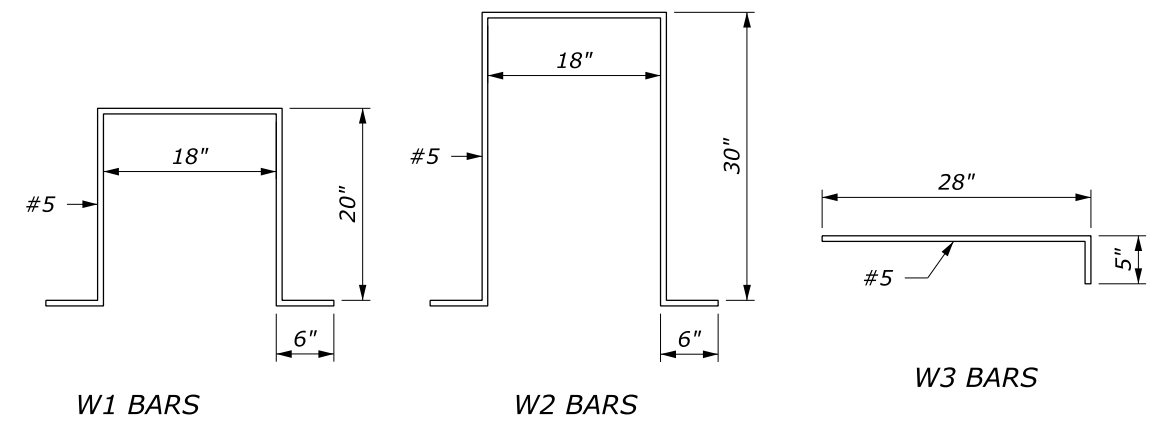


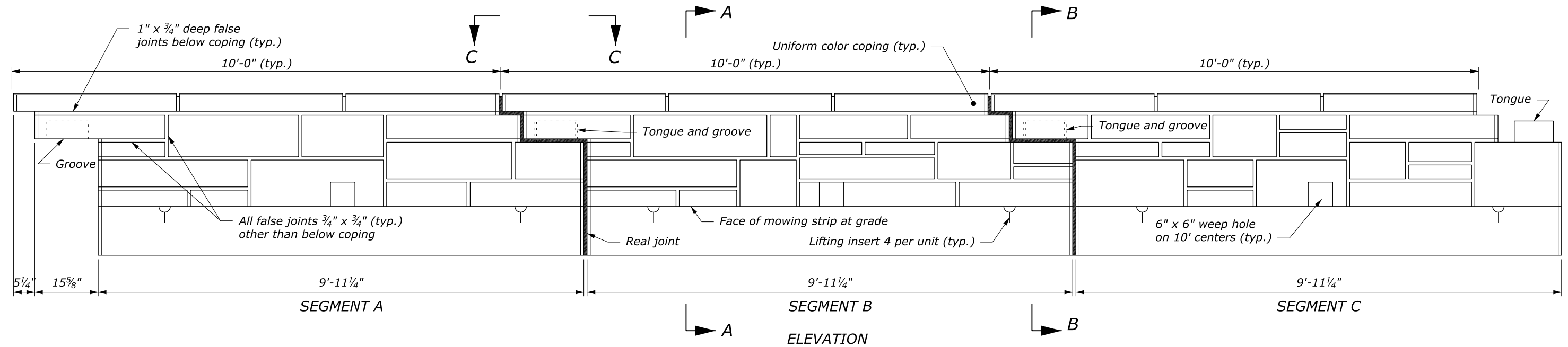
NOTE:

- Each unit consists of three segments each of which have a different random masonry pattern as shown. All three segments are to interlock with each other to vary the order.
- Sealant for the real joint covers the perimeter joint of the capstone, sides, and top and sides of the footing.
- Precast the entire wall section; no cast-in-place is allowed.
- Minimum concrete cover 2" unless shown otherwise.

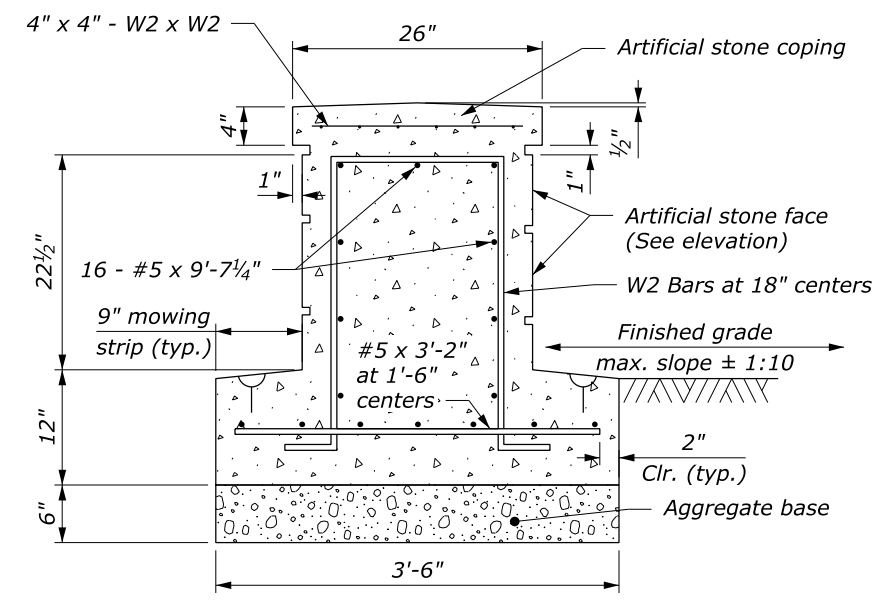
Design Speed (mph)	Shy Line Offset (ft)	Flare Rate (a:b)	
		Inside Shy Line	Outside Shy Line
60	8.0	26:1	14:1
50	6.5	21:1	11:1
40	4.5	16:1	8:1
30 and less	3.5	13:1	7:1



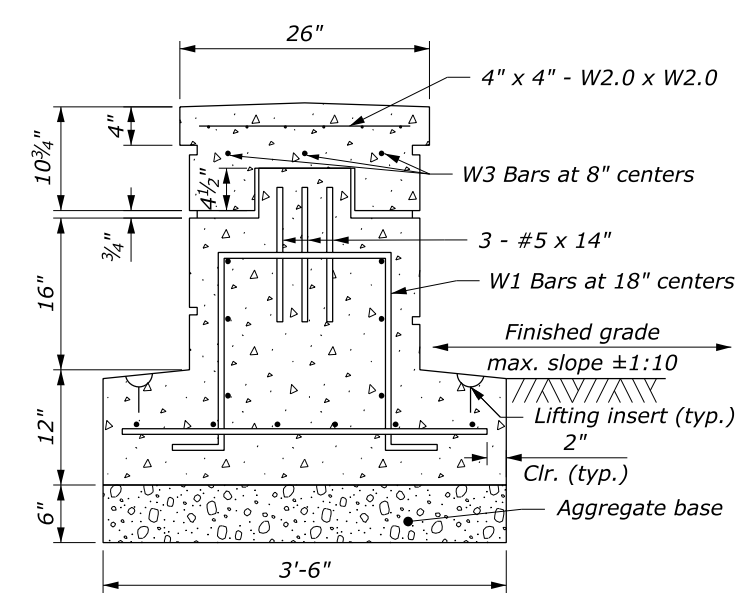
BENDING DIAGRAMS



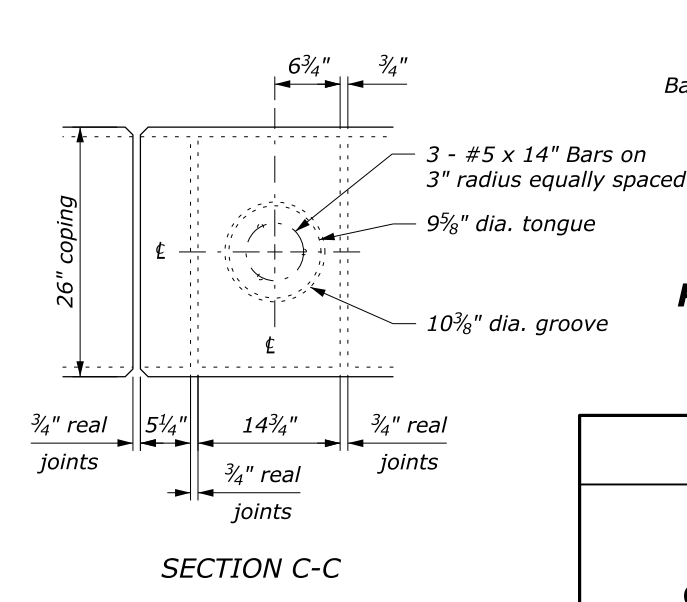
PRECAST CONCRETE GUARDWALL



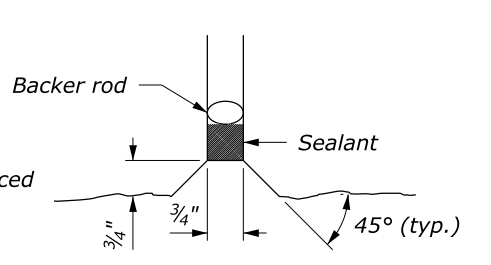
SECTION A-A



SECTION B-B



SECTION C-C



REAL JOINTS DETAIL

U.S. DEPARTMENT OF TRANSPORTATION
FEDERAL HIGHWAY ADMINISTRATION
FEDERAL LANDS HIGHWAY

U.S. CUSTOMARY STANDARD

PRECAST CONCRETE GUARDWALL, TYPE 1

STANDARD APPROVED FOR USE 3/1990
REVISED: 4/1994 6/2005

STANDARD 618-2

NO SCALE

13 September 2016 2:06 PM c:\myfiles\pw_production\dms44782\std618-2.dgn [USC]