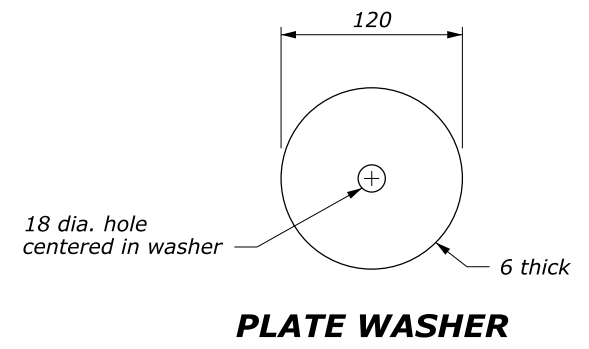
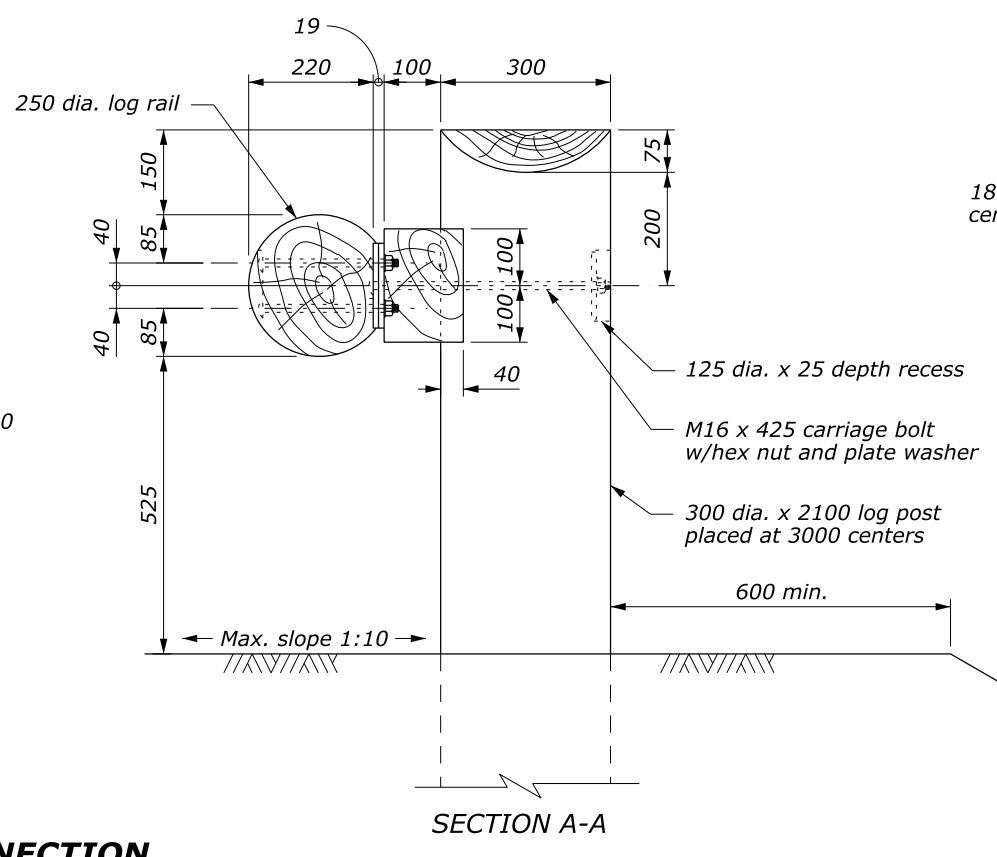
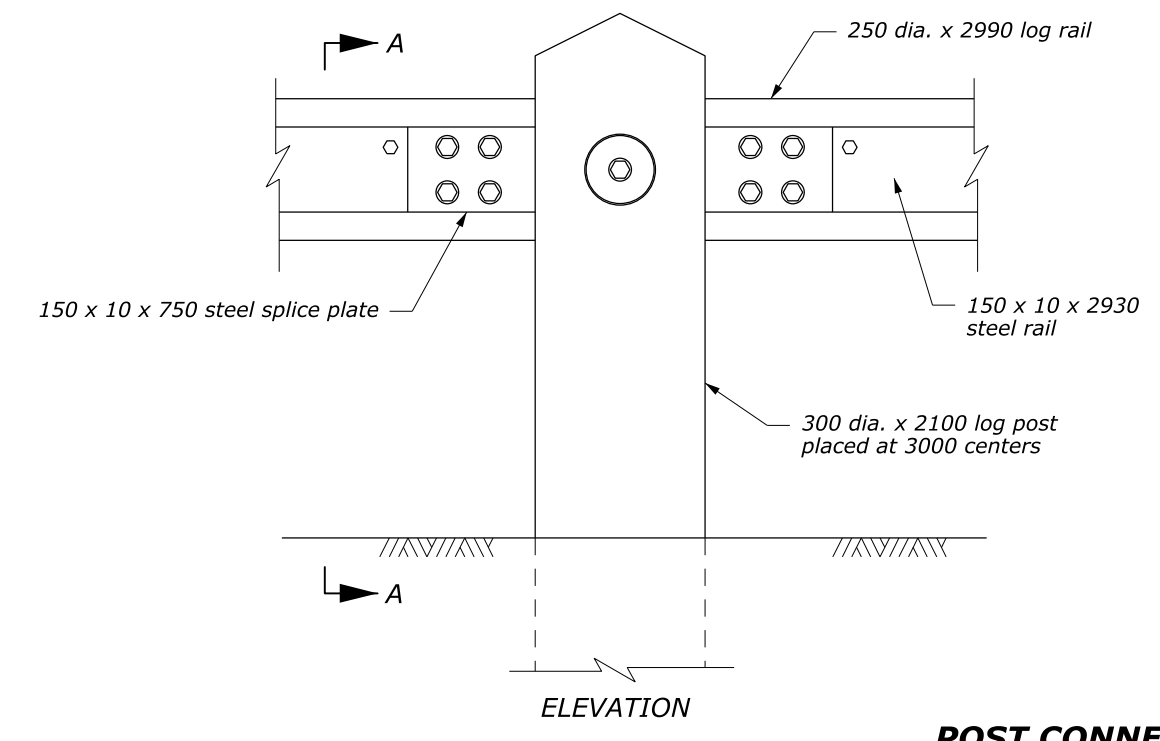
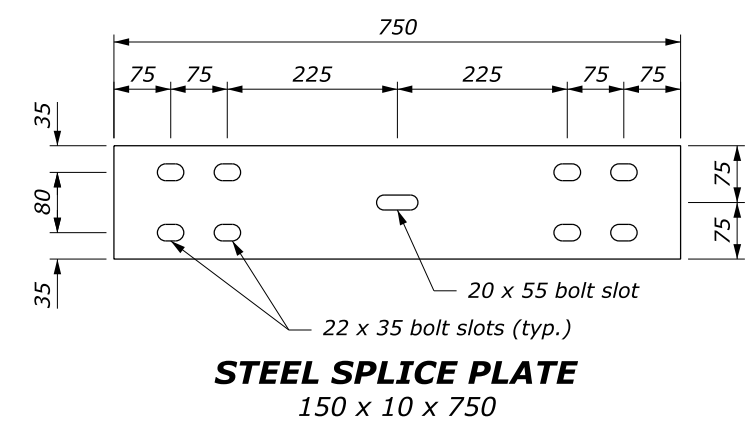
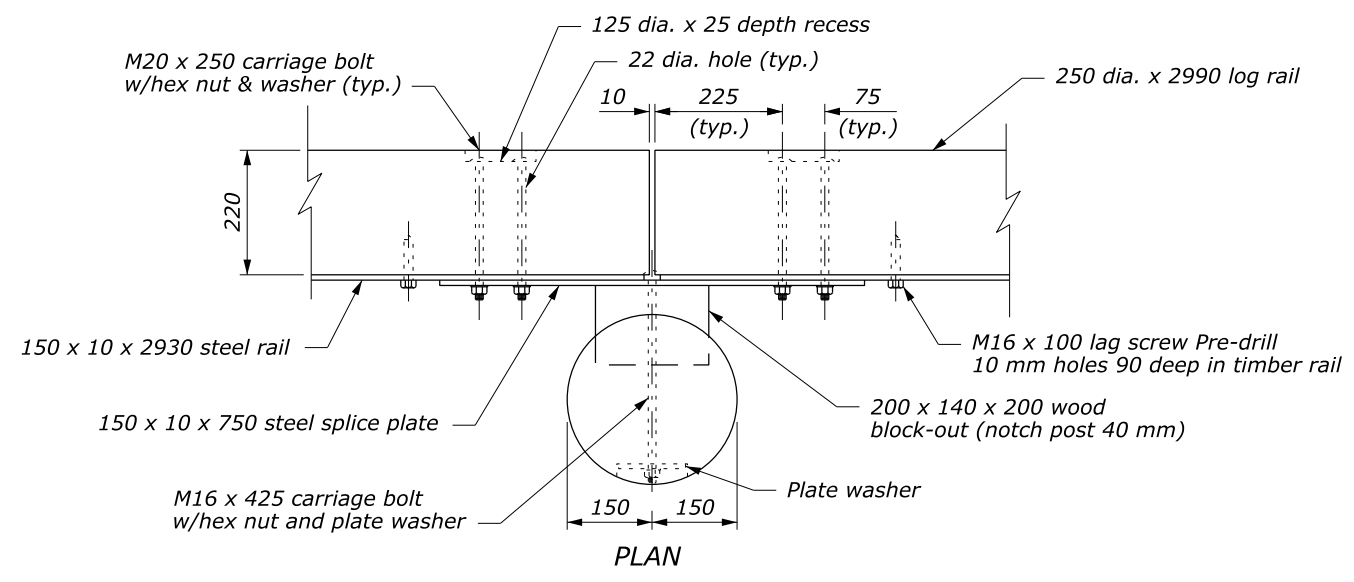


NOTE:

1. For details of the wood block-out, post notch, and general notes for Steel-Backed Log Guardrail. See Standard M617-81.
2. Furnish hardware in the metric sizes shown. Equivalent US Customary sizes may be used when metric sizes are not available.
3. Dimensions without units are millimeters.



POST CONNECTION

NO SCALE

U.S. DEPARTMENT OF TRANSPORTATION FEDERAL HIGHWAY ADMINISTRATION FEDERAL LANDS HIGHWAY	
METRIC STANDARD	
STEEL-BACKED LOG RAIL	
STANDARD APPROVED FOR USE 3/1996	STANDARD
REVISED: 6/2005 DRAFT: 11/2013	M617-80