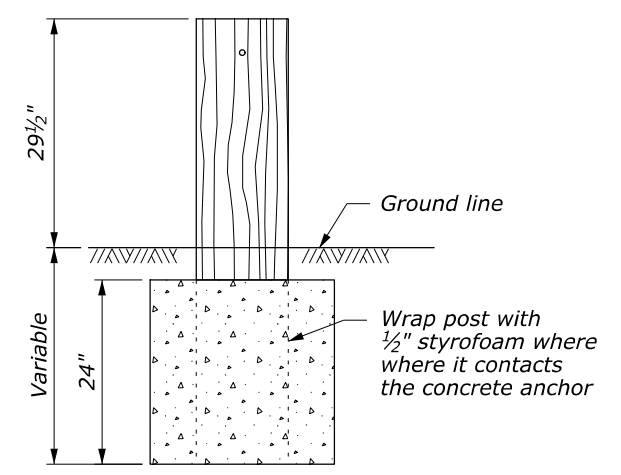
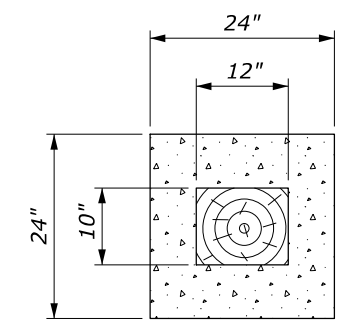
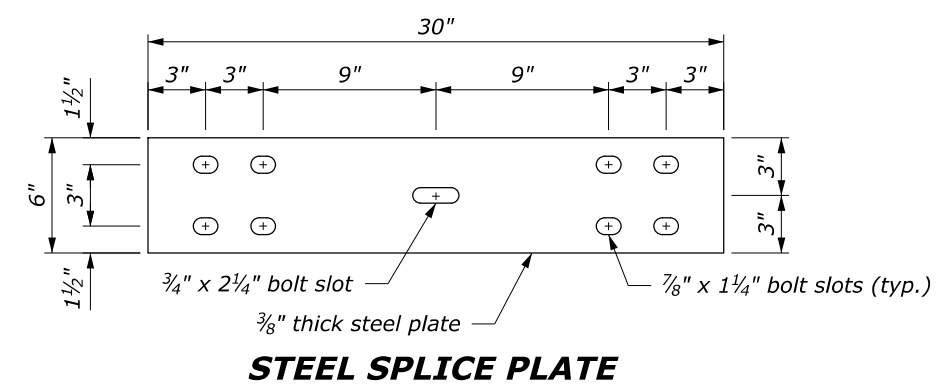
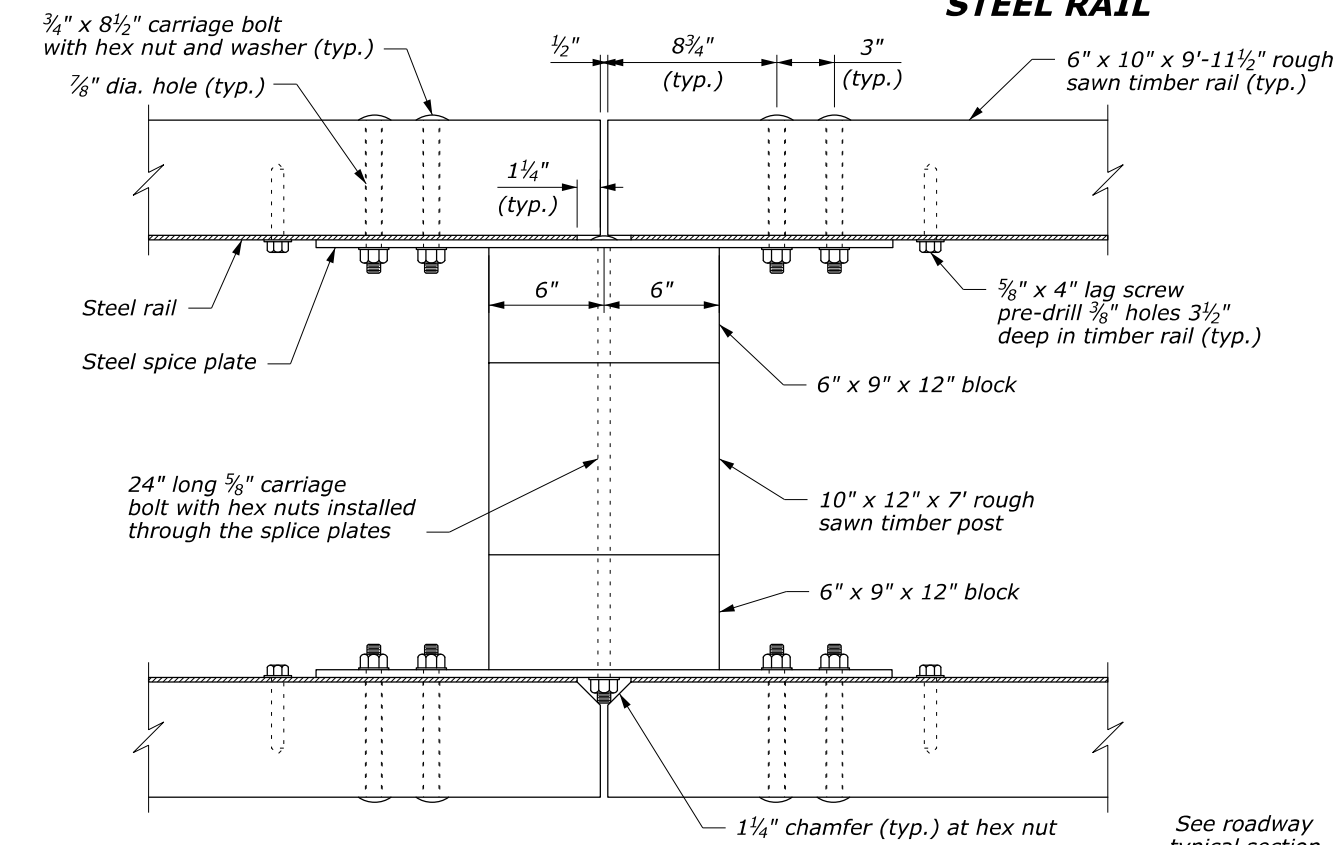


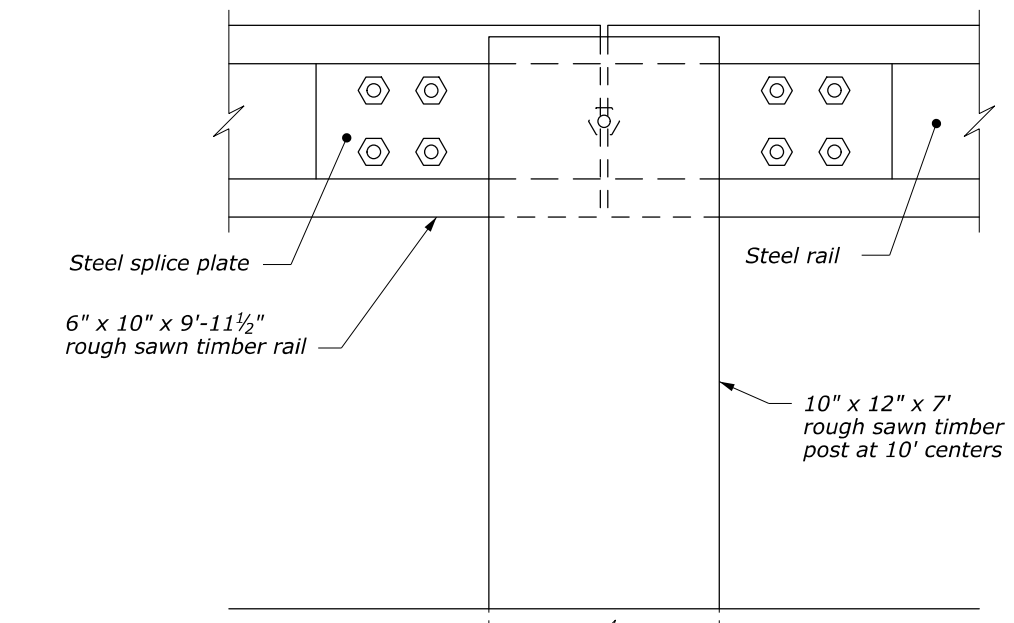
NOTE:

1. Use weathering steel for all structural steel and fastener hardware as specified.
2. Place terminal section on both approach and trailing ends of barrier installations. See Standards 617-61 and 617-62.
3. Use no more than 3 short guardrail posts in a row. A 25" diameter round anchor may be used instead of the square anchor shown. A reduced size is acceptable in solid rock.
4. In areas where the rail face is offset a minimum of 20 feet from the edge of travel lane, a maximum approach shoulder slope of 1V:6H may be used.

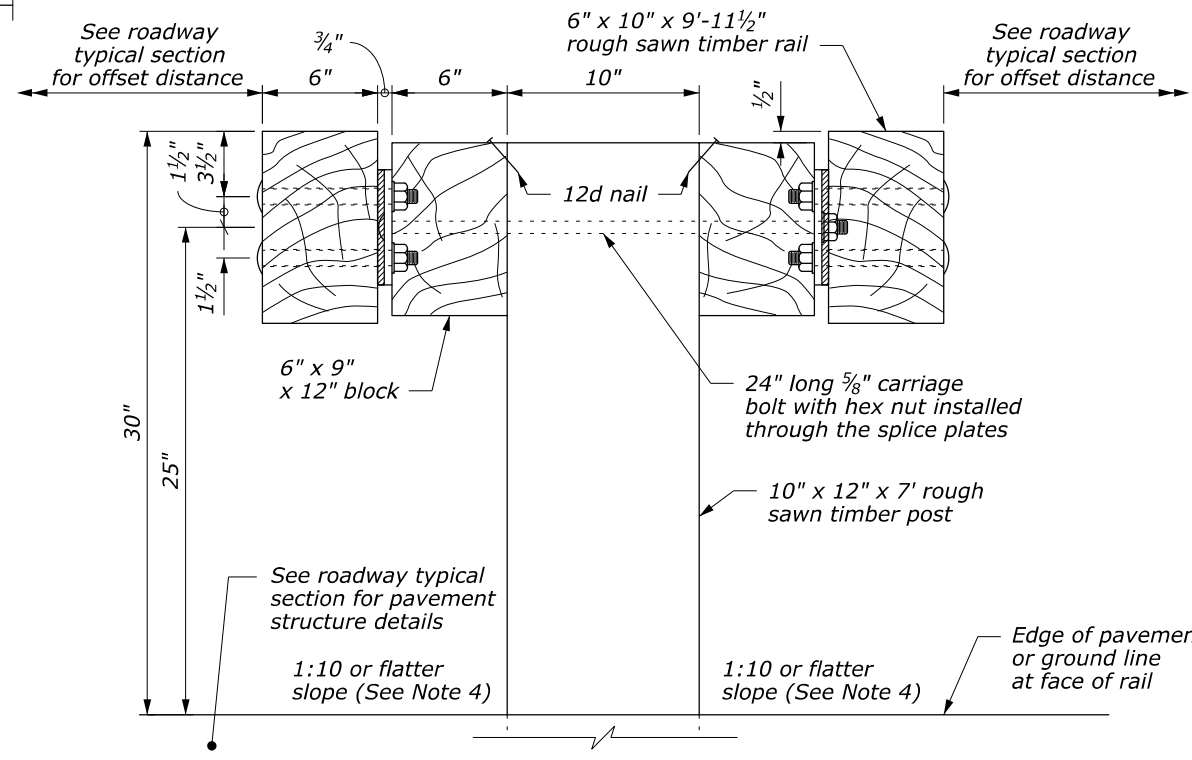


CONCRETE ANCHOR FOR SHORT GUARDRAIL POST
See Note 3

POST CONNECTION PLAN



POST CONNECTION BACK ELEVATION



TYPICAL GUARDRAIL CROSS SECTION

NO SCALE

U.S. DEPARTMENT OF TRANSPORTATION FEDERAL HIGHWAY ADMINISTRATION FEDERAL LANDS HIGHWAY	
U.S. CUSTOMARY STANDARD STEEL-BACKED TIMBER GUARDRAIL MEDIAN, TYPE A	
STANDARD APPROVED FOR USE --/----	STANDARD
REVISED: DRAFT: 3/2010	617-70

11 March 2010 11:17 AM H:\StanDraw\st61770.dgn [USC]