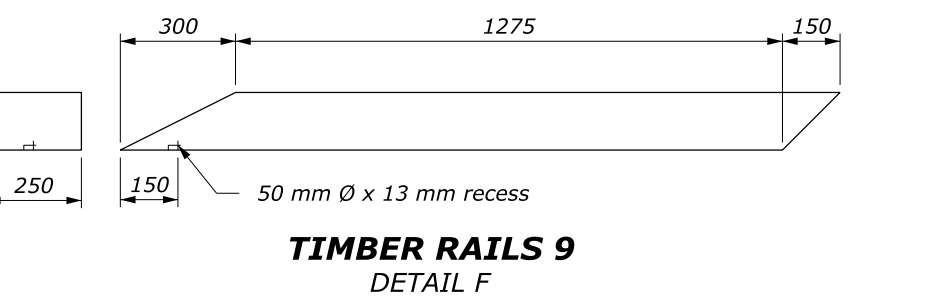
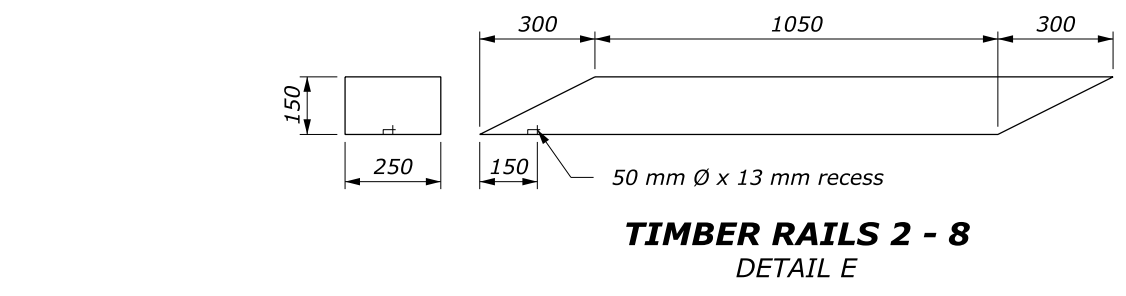
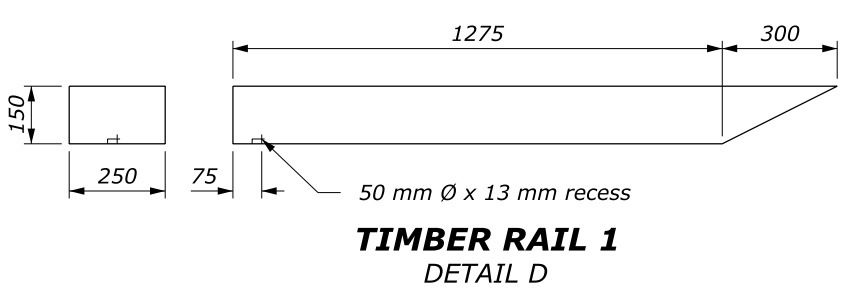
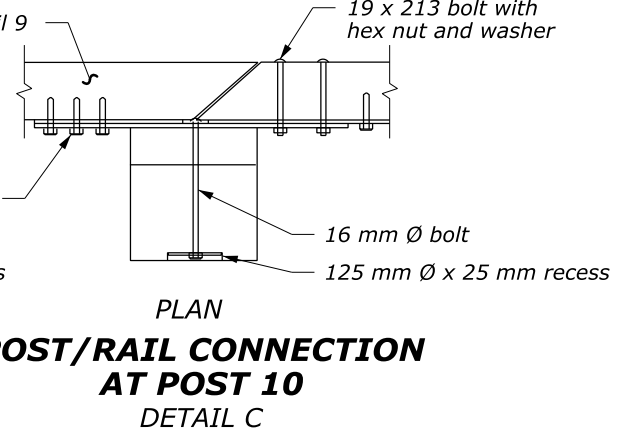
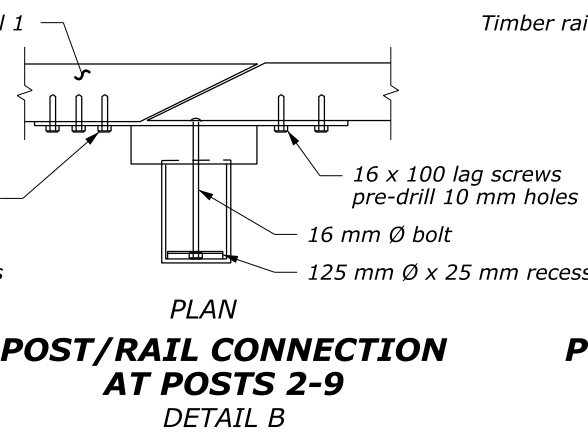
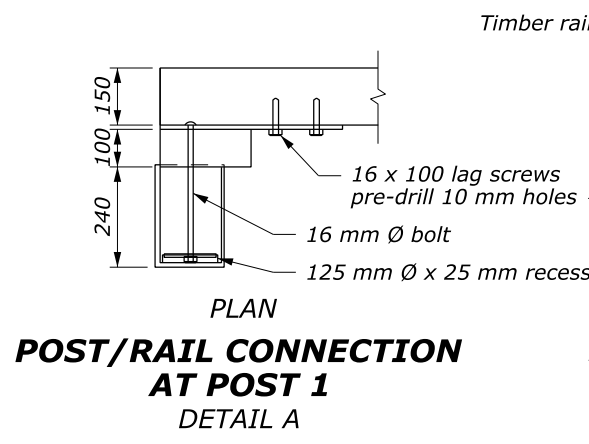
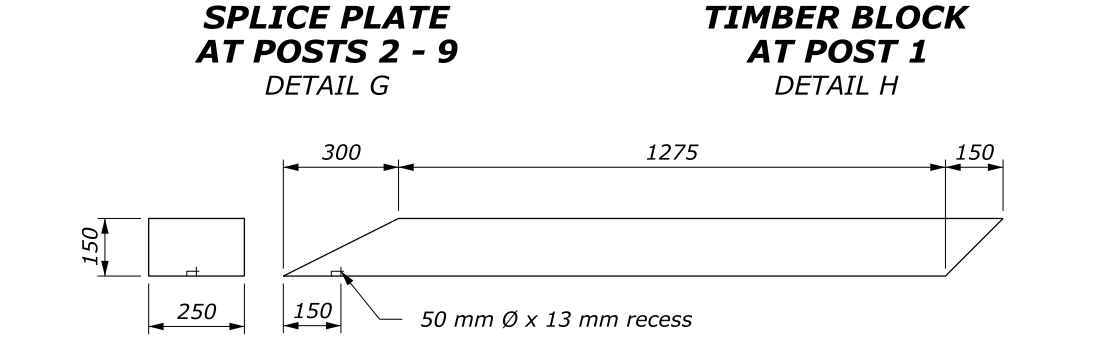
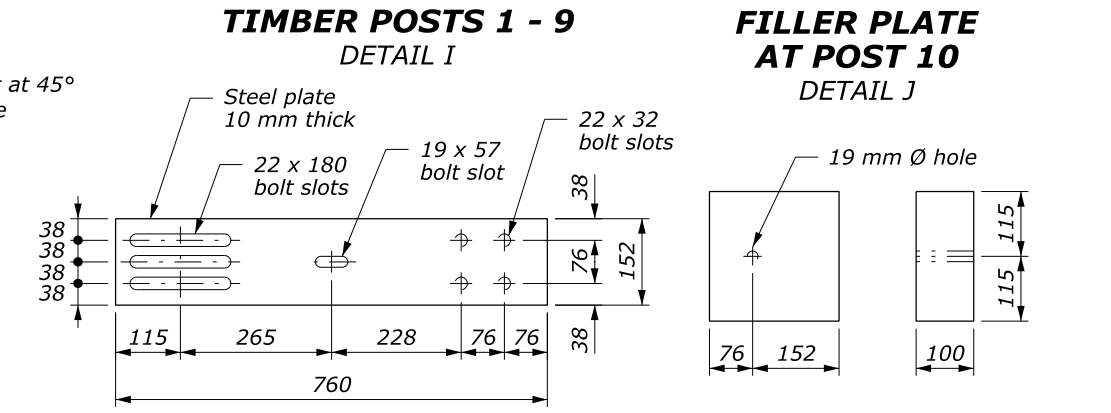
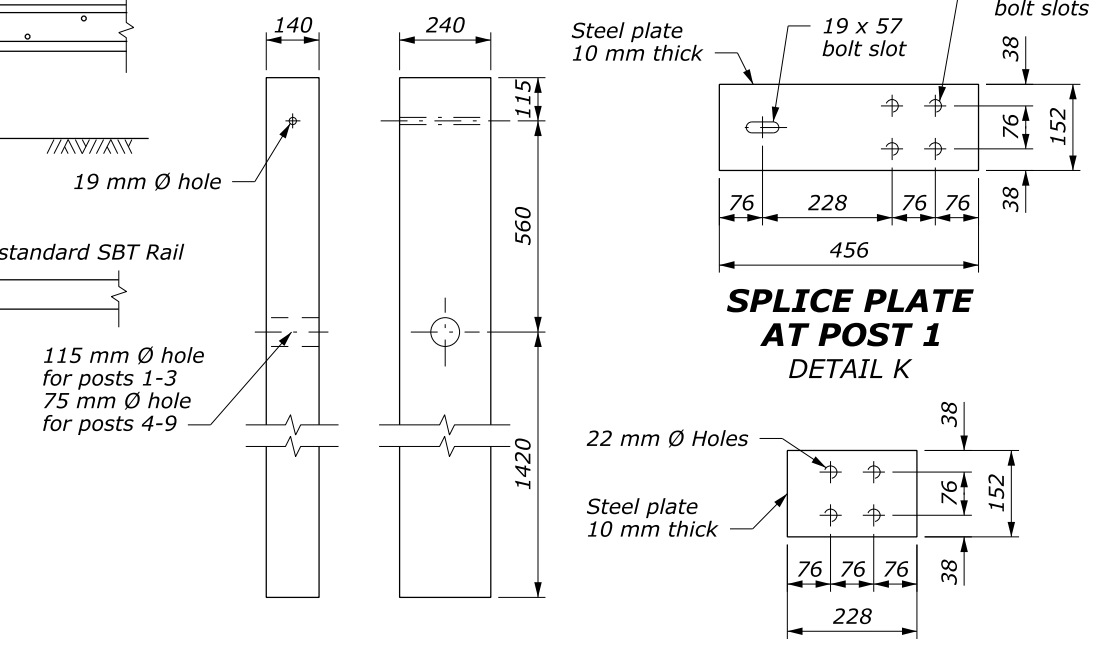


**NOTE:**  
 1. Dimensions without units are millimeters.



U.S. DEPARTMENT OF TRANSPORTATION  
 FEDERAL HIGHWAY ADMINISTRATION  
 FEDERAL LANDS HIGHWAY  
 METRIC STANDARD  
**TL-2 END TERMINAL FOR STEEL-BACKED TIMBER GUARDRAIL**  
 STANDARD APPROVED FOR USE --/--  
 REVISIONS: 9/2011  
 DRAFT: 9/2011  
 STANDARD M617-69

NO SCALE