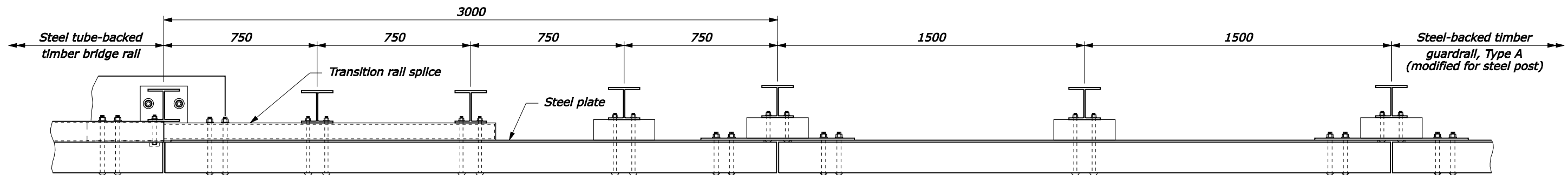


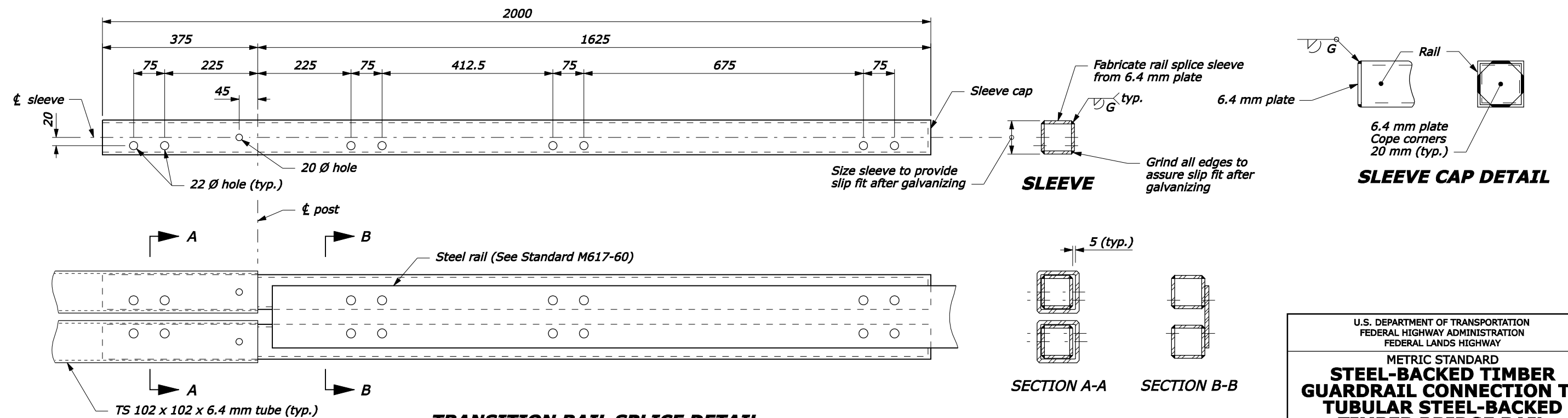
**RAIL TRANSITION ELEVATION**

**NOTE:**

1. At each additional post provide 2-M16 round head square neck bolts with plate washer and hex nut, a 20 x 60 slot in steel plate, and 18 mm Ø holes in timber rail, steel post, and timber block. See Standard M617-60, Steel-backed timber guardrail, Type A (modified for steel post).
2. Dimensions without units are millimeters.



**RAIL TRANSITION PLAN**



**TRANSITION RAIL SPLICE DETAIL**

**SLEEVE**

**SLEEVE CAP DETAIL**

**SECTION A-A**

**SECTION B-B**

NO SCALE

U.S. DEPARTMENT OF TRANSPORTATION  
 FEDERAL HIGHWAY ADMINISTRATION  
 FEDERAL LANDS HIGHWAY

METRIC STANDARD  
**STEEL-BACKED TIMBER  
 GUARDRAIL CONNECTION TO  
 TUBULAR STEEL-BACKED  
 TIMBER BRIDGE RAIL**

STANDARD APPROVED FOR USE --/----

REVISED: DRAFT: 12/2007

STANDARD  
**M617-68**

04-Dec-2007 08:54 AM  
 fpp://196.145.188.2/scd\_plan/m61768.dgn [Metric]