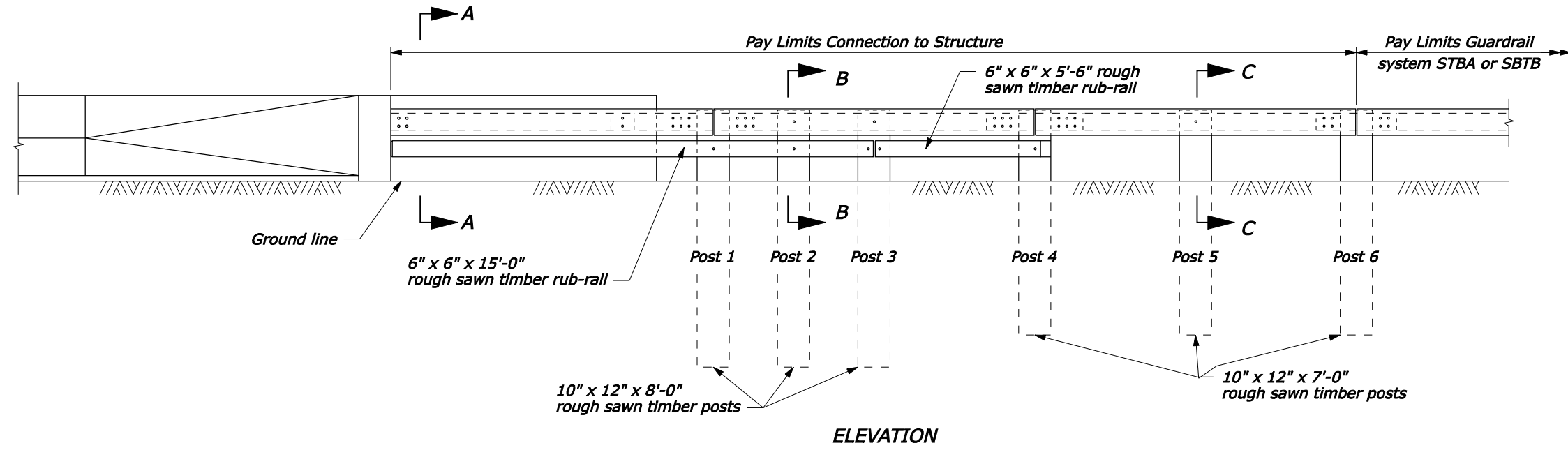
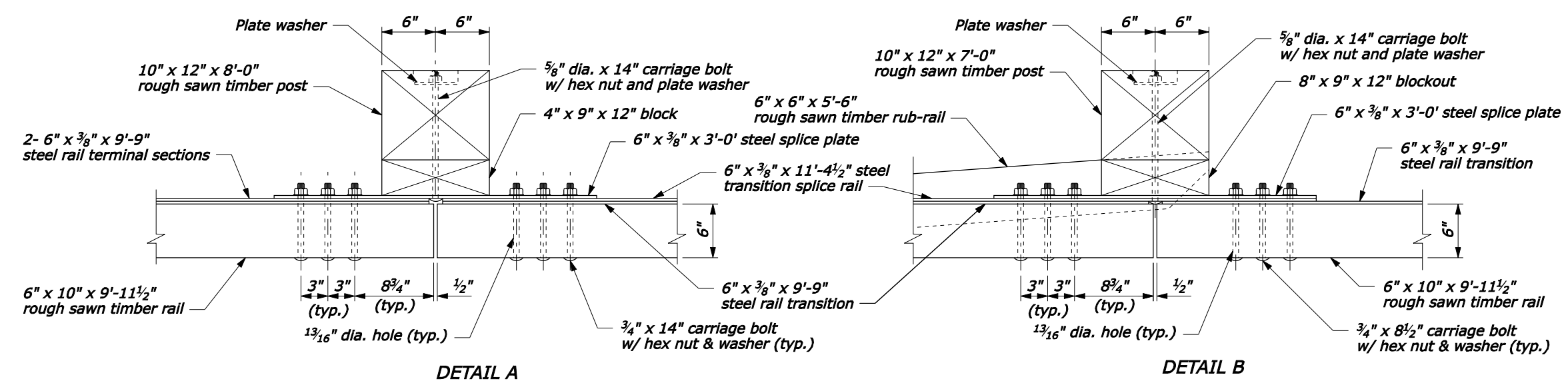


NOTE:

1. See the following sheets for Sections A-A through C-C, steel rail layouts, and other details.
2. Use weathering steel for all structural steel and fastener hardware.



ELEVATION



POST CONNECTION

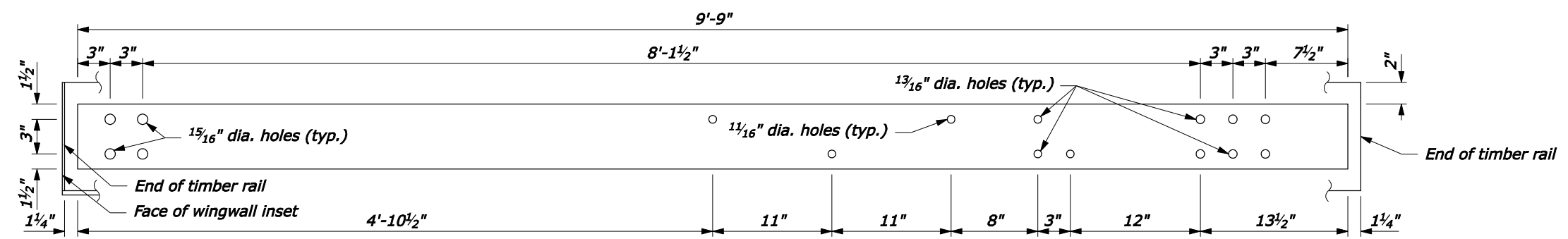
NO SCALE

U.S. DEPARTMENT OF TRANSPORTATION
 FEDERAL HIGHWAY ADMINISTRATION
 FEDERAL LANDS HIGHWAY

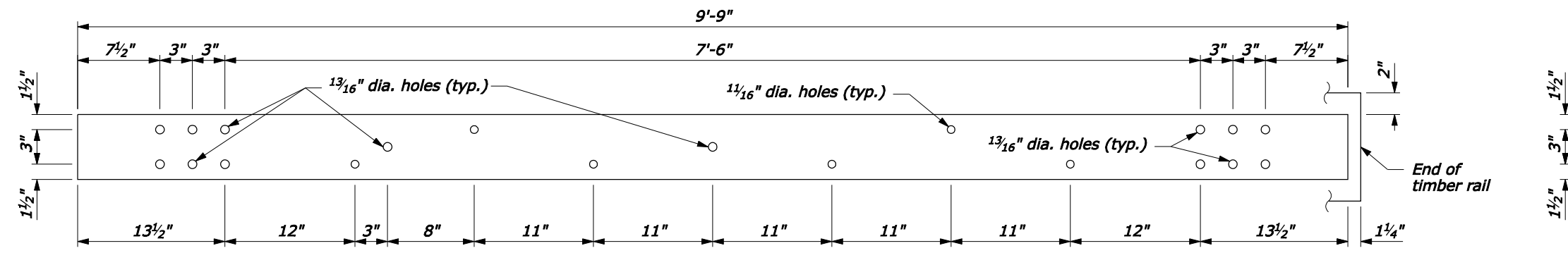
**U.S. CUSTOMARY STANDARD
 STEEL-BACKED TIMBER GUARDRAIL
 CONNECTION TO
 CURVED BACK STRUCTURE**
 Sheet 1 of 3

STANDARD APPROVED FOR USE 1/1994	STANDARD
REVISED: 4/1994	617-66
DRAFT: 1/2008	

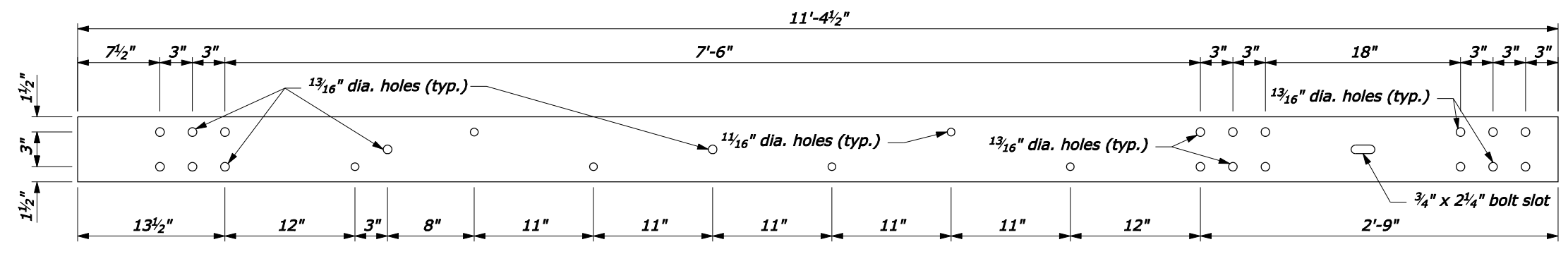
P:\198.145.186.2\std.pln\std61766.dgn [US Customary] 23-Jan-2008 04:08 PM



TERMINAL SECTION RAIL
6" x 3/8" x 9'-9"

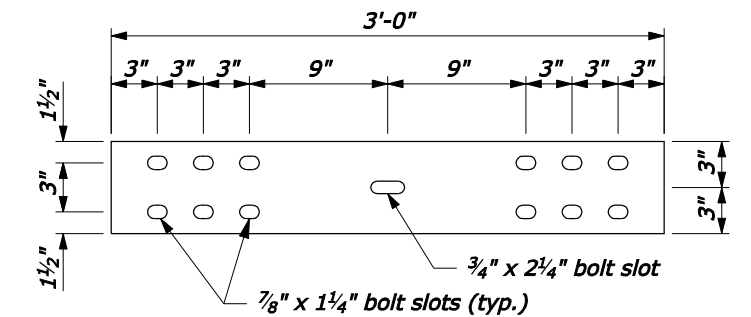


TRANSITION RAIL
6" x 3/8" x 9'-9"

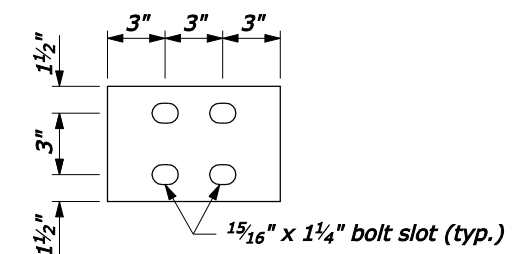


TRANSITION SPLICE RAIL
6" x 3/8" x 11'-4 1/2"

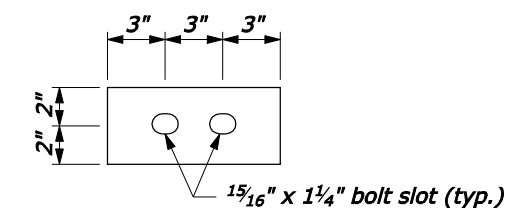
NOTE:
1. Pre-drill 5/8-inch holes in timber rail and 3/8-inch holes in the wood spacer block for the 5/8-inch lag screws.



SPLICE PLATE
6" x 3/8" x 3'-0"

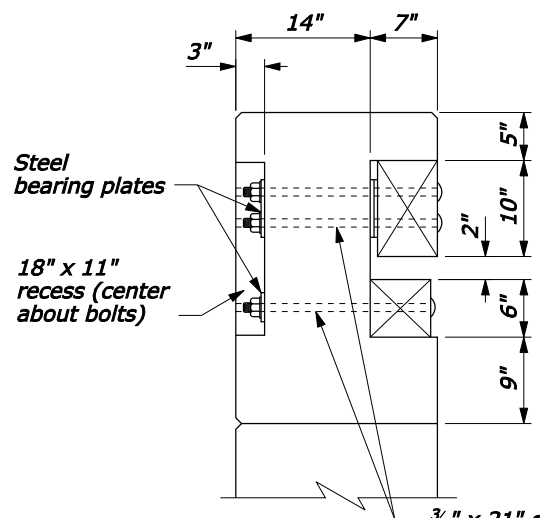


6" x 3/8" x 9"

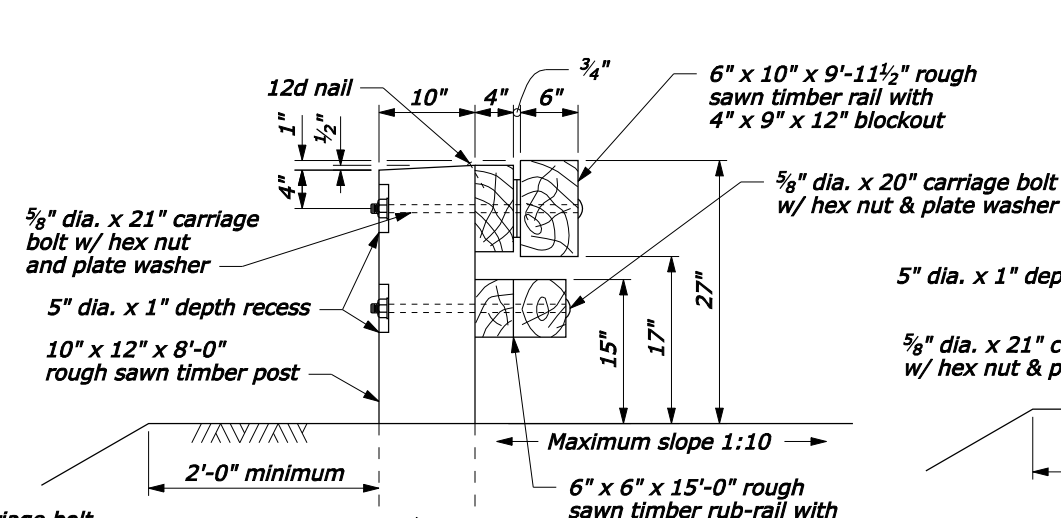


4" x 3/8" x 9"

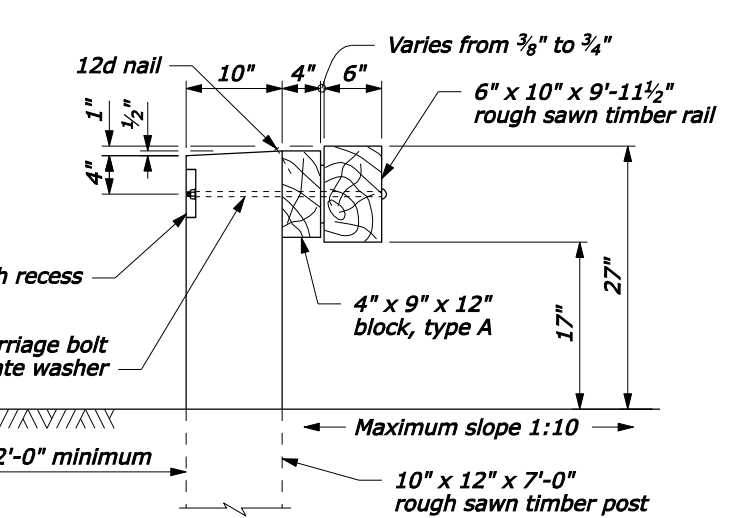
BEARING PLATE DETAILS



SECTION A-A



SECTION B-B



SECTION C-C

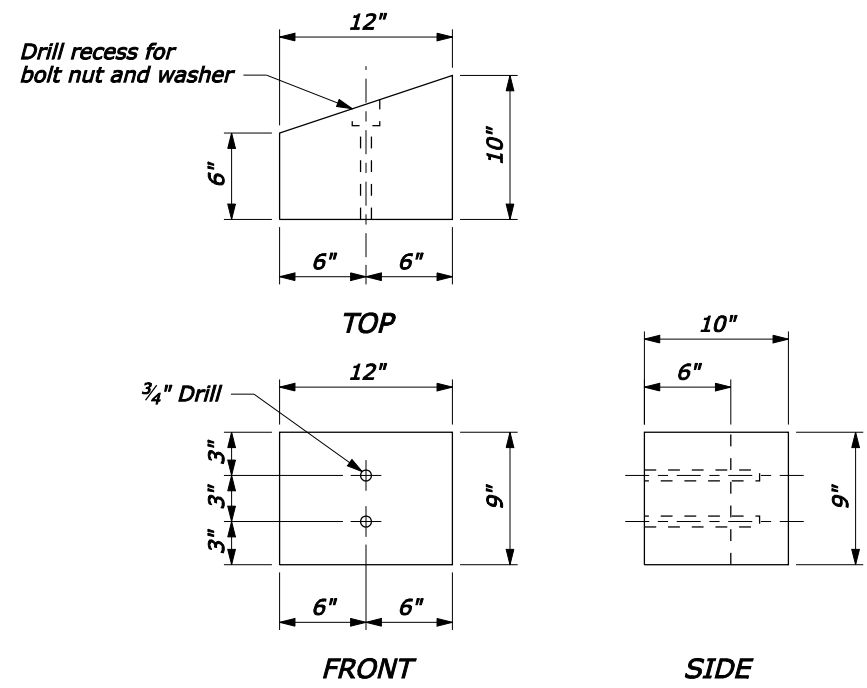
NO SCALE

U.S. DEPARTMENT OF TRANSPORTATION
FEDERAL HIGHWAY ADMINISTRATION
FEDERAL LANDS HIGHWAY

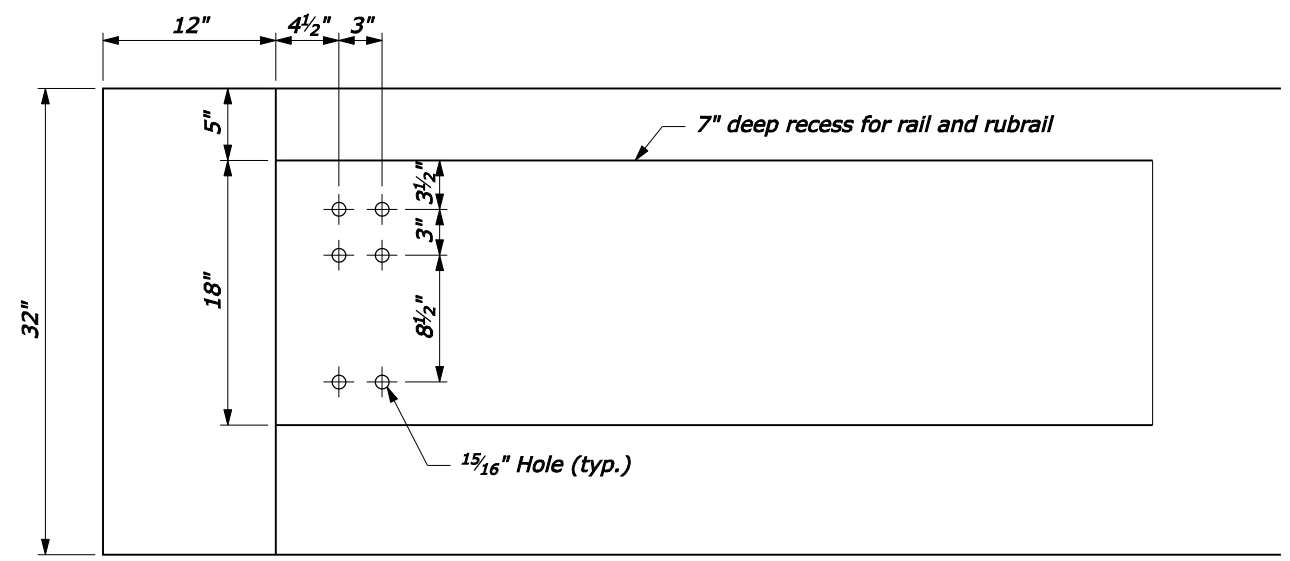
U.S. CUSTOMARY STANDARD
**STEEL-BACKED TIMBER GUARDRAIL
CONNECTION TO
CURVED BACK STRUCTURE**
Sheet 2 of 3

STANDARD APPROVED FOR USE 1/1994	STANDARD
REVISED: 4/1994	617-66
DRAFT: 1/2008	

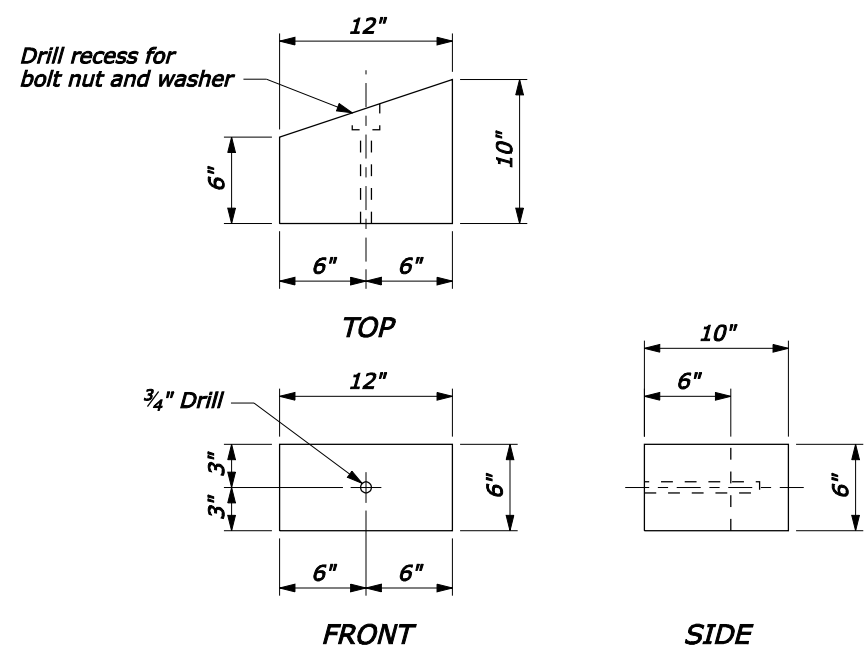
23-Jan-2008 04:08 PM
Rpt://198.145.186.2/std.pln/st61766.dgn [US Customary]



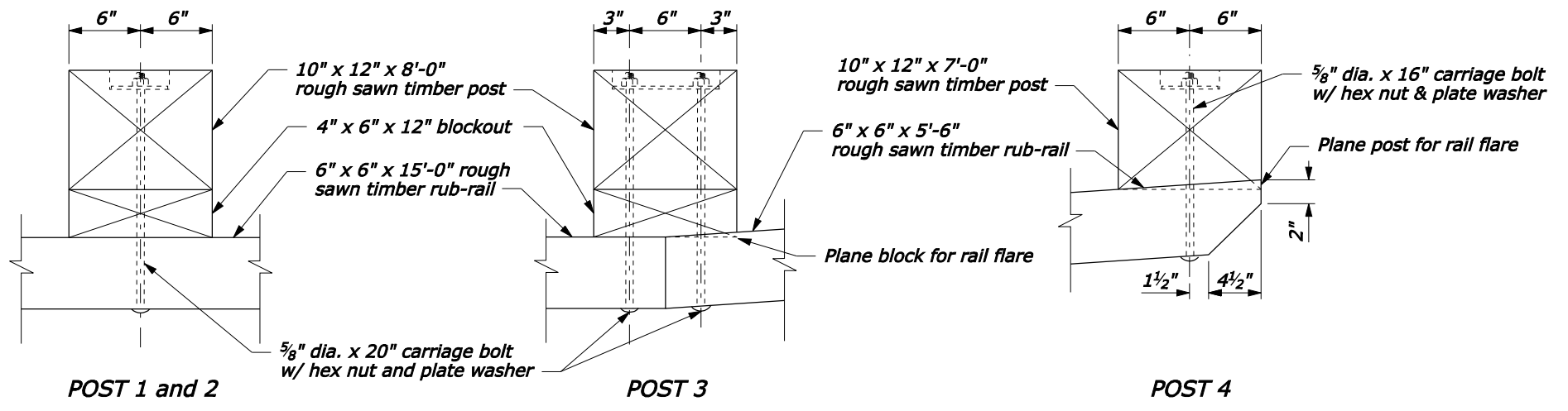
SPACER BLOCK FOR RAIL



PARAPET ATTACHMENT DETAIL



SPACER BLOCK FOR RUB-RAIL



RUB-RAIL CONNECTIONS

NO SCALE

U.S. DEPARTMENT OF TRANSPORTATION FEDERAL HIGHWAY ADMINISTRATION FEDERAL LANDS HIGHWAY	
U.S. CUSTOMARY STANDARD STEEL-BACKED TIMBER GUARDRAIL CONNECTION TO CURVED BACK STRUCTURE Sheet 3 of 3	
STANDARD APPROVED FOR USE 1/1994	STANDARD 617-66
REVISED: 4/1994 DRAFT: 1/2008	

P:\198.145.186.2\std_plan\std61766.dgn [US Customary] 23-Jan-2008 04:09 PM