

**NOTE:**

1. See Sheet 2 of 2 for Sections A-A through C-C, steel rail layouts, and other details.
2. Use weathering steel for all structural steel and fastener hardware.
3. Transition curbing (including dowel) will be paid for at the contract unit price for transition curbing.
4. Install transition curbing of material type specified in plans.
5. Curb may be continuous or slabs at least 1.5 m in length. Install faces of slabs evenly and with maximum 2.5 mm separation.
6. If contract requires steel post, substitute wood post with  $W150 \times 225 \times 2.0$  m long.
7. Furnish hardware in the metric sizes shown. Equivalent US Customary sizes may be used when metric sizes are not available.
8. Dimensions without units are millimeters.

U.S. DEPARTMENT OF TRANSPORTATION  
FEDERAL HIGHWAY ADMINISTRATION  
FEDERAL LANDS HIGHWAY

METRIC STANDARD  
**STEEL-BACKED TIMBER GUARDRAIL  
TL-3 CONNECTION TO  
STONE MASONRY GUARDWALL**  
Sheet 1 of 2

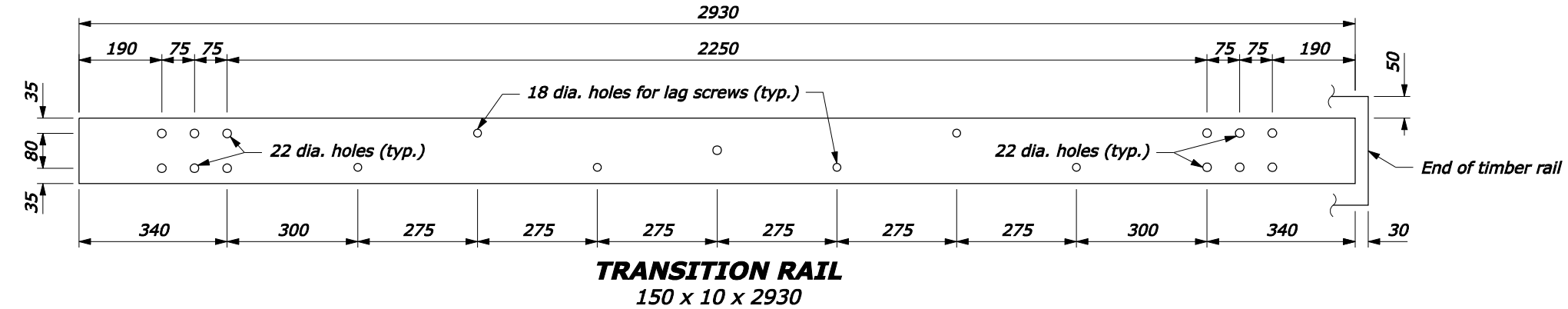
STANDARD APPROVED FOR USE --/----

REVISID: DRAFT: 1/2008

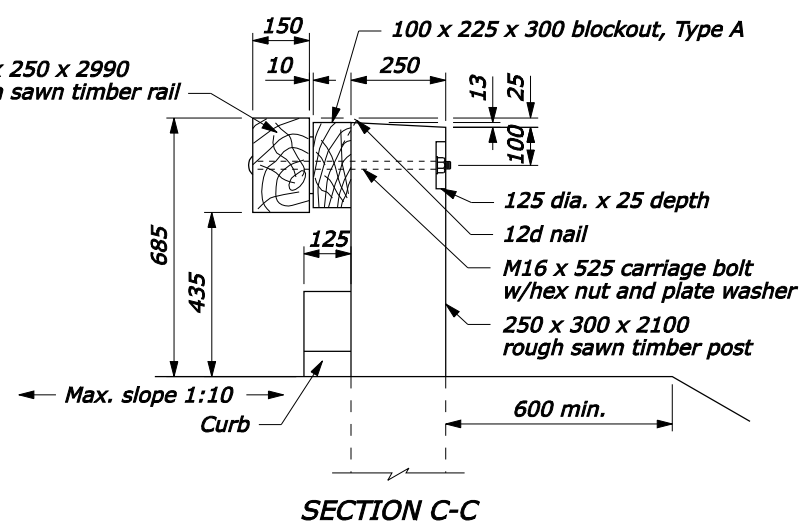
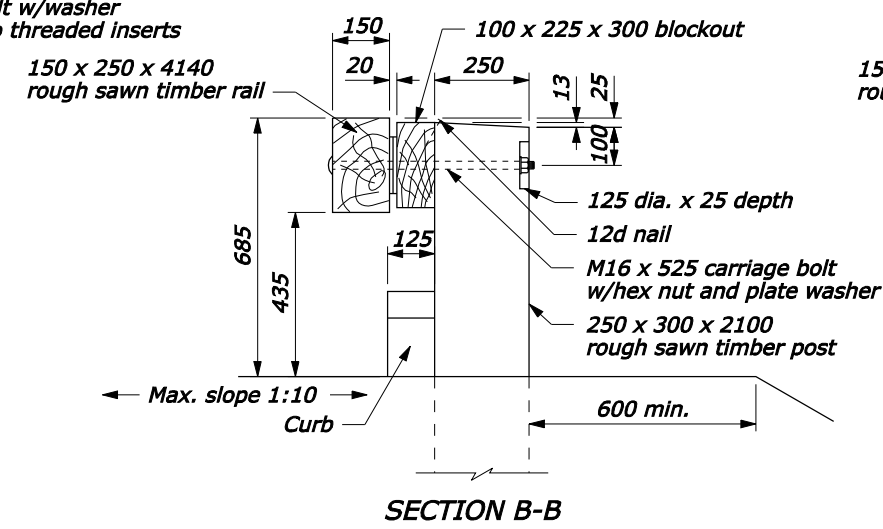
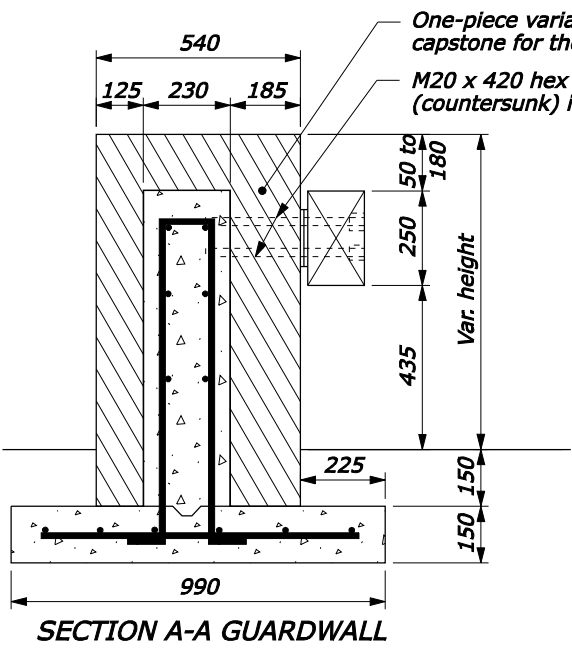
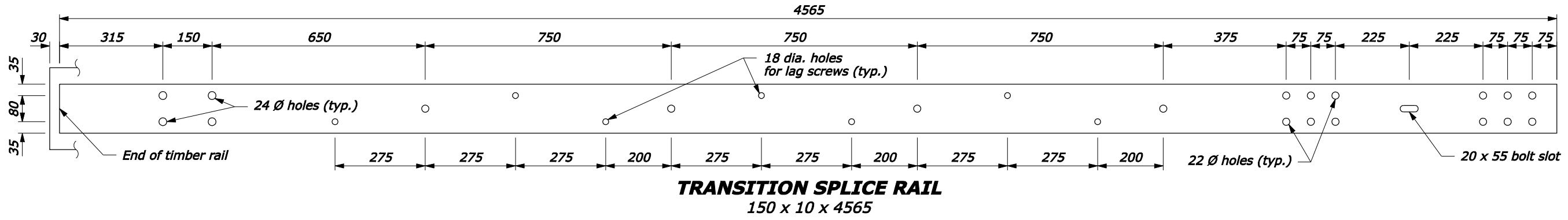
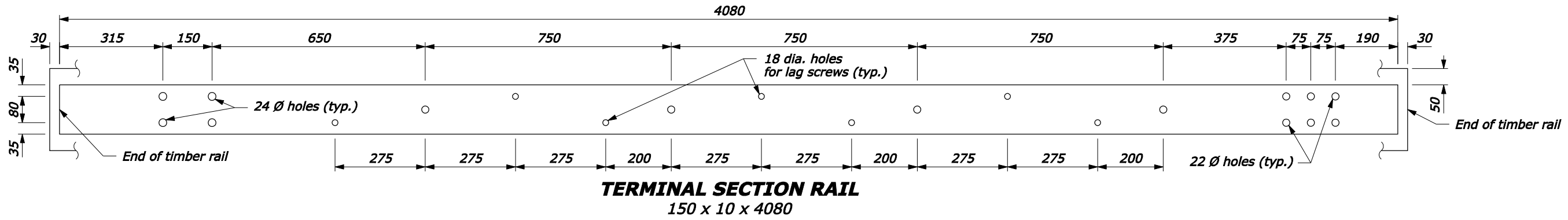
STANDARD  
**M617-65**

NO SCALE

23-Jan-2008 11:16 AM  
 fpp://196.145.188.2/scr\_plan/m61765.dgn [Metric]



- NOTE:**
1. Pre-drill 18 mm holes in blocks outs and posts.
  2. Furnish hardware in the metric sizes shown. Equivalent US Customary sizes may be used when metric sizes are not available.
  3. Dimensions without units are millimeters.



U.S. DEPARTMENT OF TRANSPORTATION  
FEDERAL HIGHWAY ADMINISTRATION  
FEDERAL LANDS HIGHWAY

METRIC STANDARD  
**STEEL-BACKED TIMBER GUARDRAIL  
TL-3 CONNECTION TO  
STONE MASONRY GUARDWALL**  
Sheet 2 of 2

STANDARD APPROVED FOR USE --/---  
REVISED: 1/2008  
DRAFT: 1/2008

STANDARD  
M617-65

NO SCALE

23-Jan-2008 11:16 AM  
 fpp://196.145.188.2/sxd\_dlan/s61765.dgn [Metric]