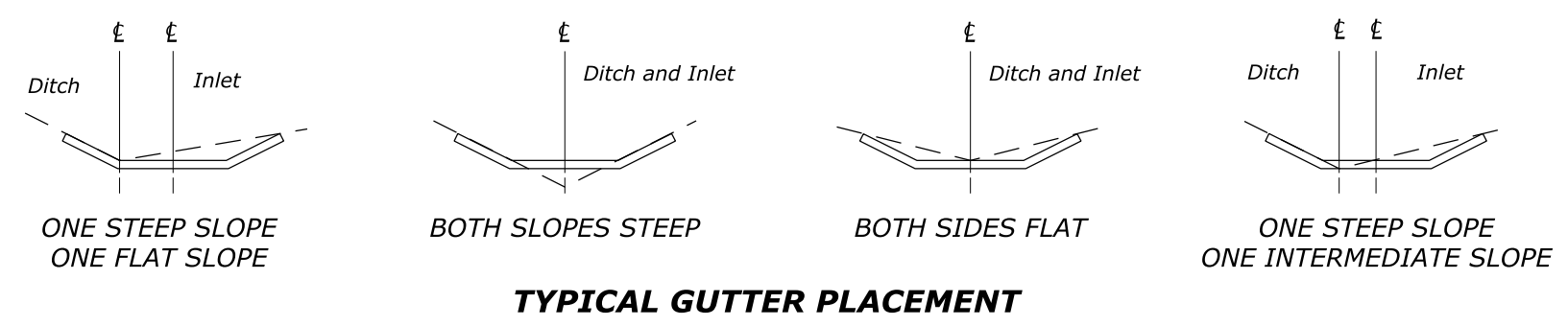
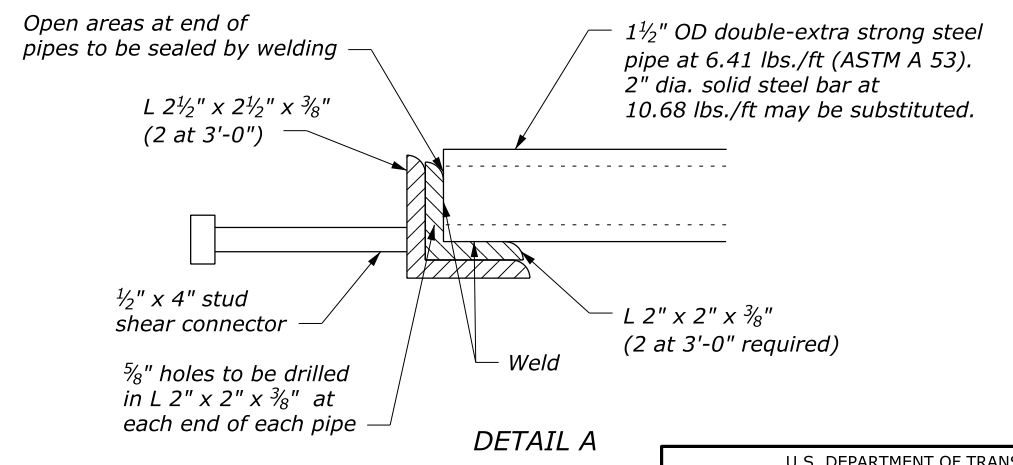
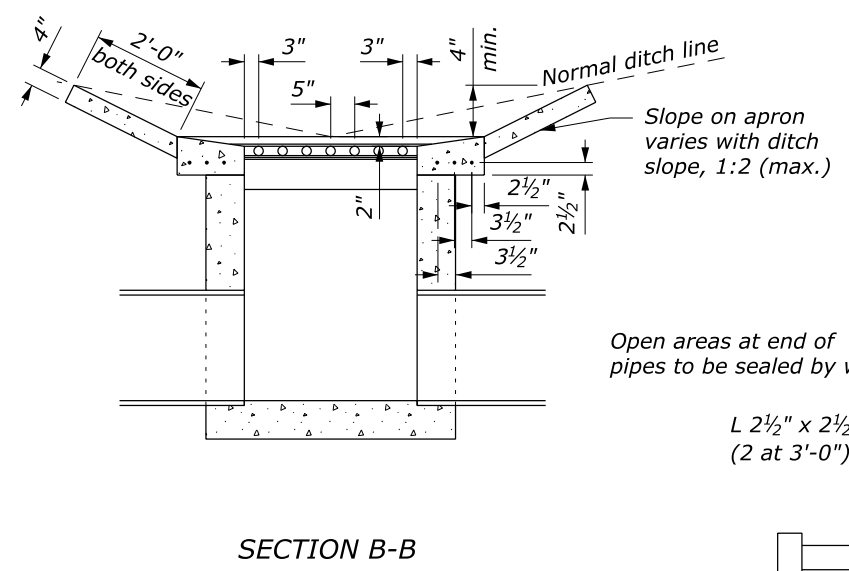
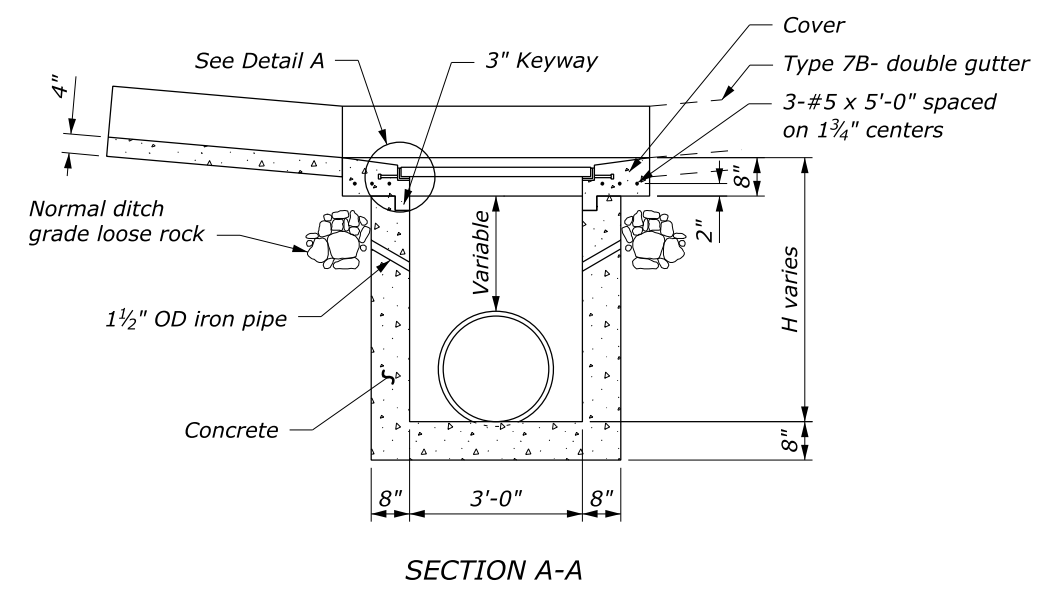


- NOTE:**
- Type 7A has a single gutter when inlet is on a grade.
 - Type 7B has a double gutter when inlet is in a sag between two grades.
 - Ditch to be warped to tie smoothly into inlet gutter.
 - Outside dimensions of grate to be 3'-4" x 2'-11³/₄".
 - Maximum depth (H) is 12'-8".
 - All reinforcing bars are #5 placed a minimum 1¹/₂ inch clear from face of concrete. In floors, place bars on 6 inch centers each way. In walls, place horizontal bars on 6 inch centers and vertical bars on 12 inch centers.
 - Galvanize grate after fabrication in accordance with AASHTO M 111.
 - Alternate methods of anchoring angle iron will be acceptable if approved by the CO.

APPROXIMATE QUANTITIES						
Pipe size	12"	15"	18"	24"	30"	36"
Minimum Depth (H)	2'-0"	2'-3 ¹ / ₄ "	2'-6 ¹ / ₂ "	3'-1"	3'-7 ¹ / ₂ "	4'-2"
Inlet concrete for minimum depth, CUYD	0.947	1.045	1.143	1.339	1.535	1.731
Additional inlet concrete	0.362 cuyd for each additional foot of depth (H)					
Gutter concrete	Type 7A: 0.724 cuyd Type 7B: 1.185 cuyd					
Cover concrete (not included above)	0.413 cuyd					
Cover reinforcing steel	63 lb					



U.S. DEPARTMENT OF TRANSPORTATION
 FEDERAL HIGHWAY ADMINISTRATION
 FEDERAL LANDS HIGHWAY

U.S. CUSTOMARY STANDARD

**INLET
 TYPE 7A AND 7B
 FOR 12" TO 36" CULVERT**

STANDARD APPROVED FOR USE 6/2005
 STANDARD 604-8
 REVISED: 6/2007

11 October 2016 9:16 AM c:\myfiles\pw_production\dms44777\std604-8.dgn [USC]

NO SCALE