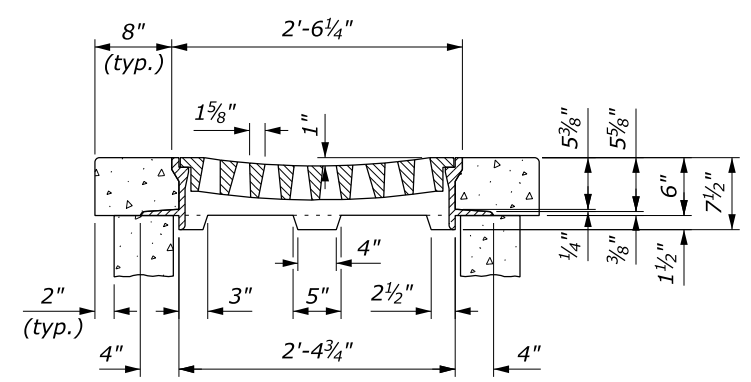
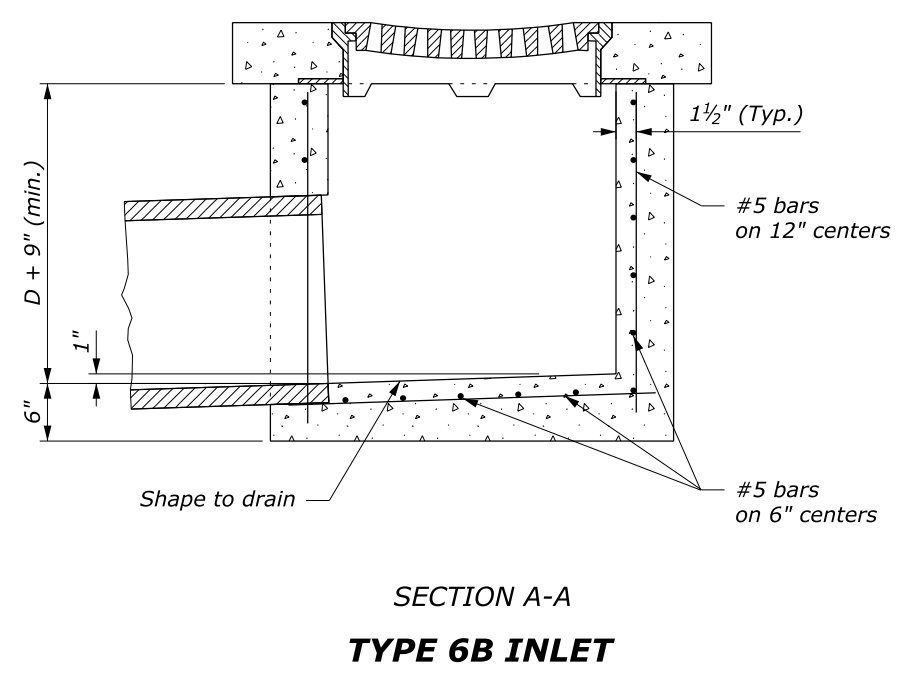
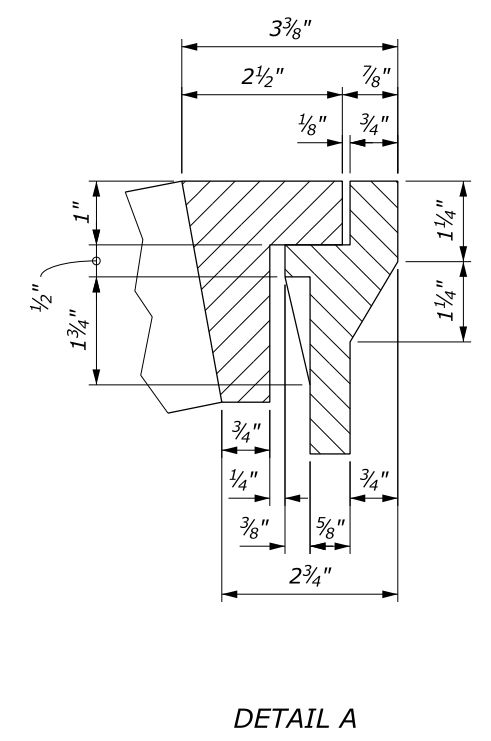
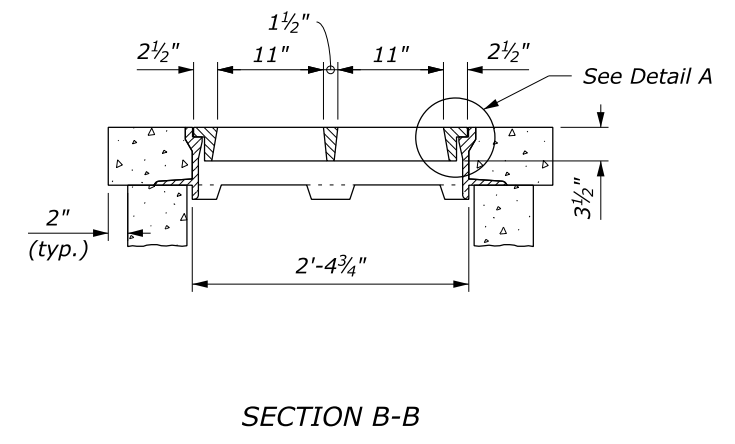
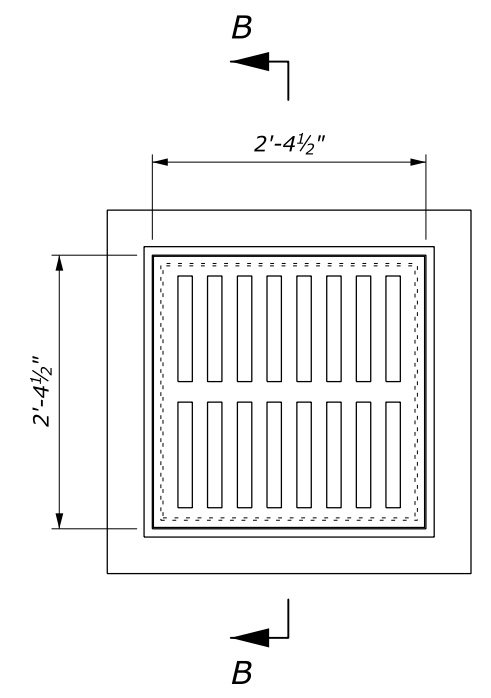
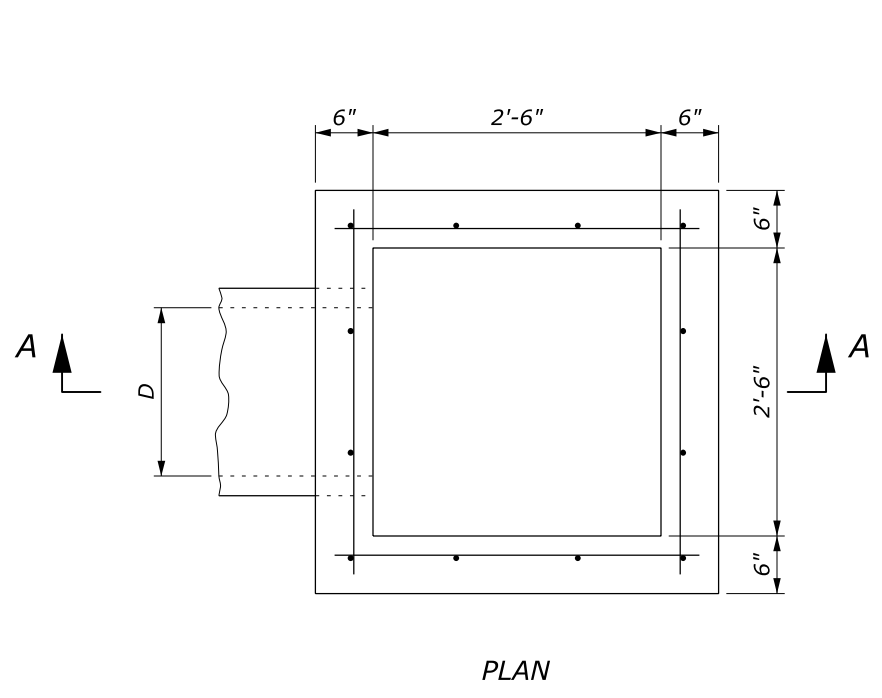


**NOTE:**

1. Construct inlets parallel to the roadway centerline and grade. For pipes on skew, adapt inlets as directed by the CO.
2. For frames and gratings minor variations in design and dimensions are permitted to allow manufacturers standards.



Gray Iron Castings, AASHTO M 105

**METAL FRAMES AND GRATINGS  
TYPE 6B**

NO SCALE

|                                                                                              |          |
|----------------------------------------------------------------------------------------------|----------|
| U.S. DEPARTMENT OF TRANSPORTATION<br>FEDERAL HIGHWAY ADMINISTRATION<br>FEDERAL LANDS HIGHWAY |          |
| U.S. CUSTOMARY STANDARD                                                                      |          |
| <b>INLET<br/>TYPE 6B</b>                                                                     |          |
| STANDARD APPROVED FOR USE 6/2005                                                             | STANDARD |
| REVISED:                                                                                     | 604-7    |