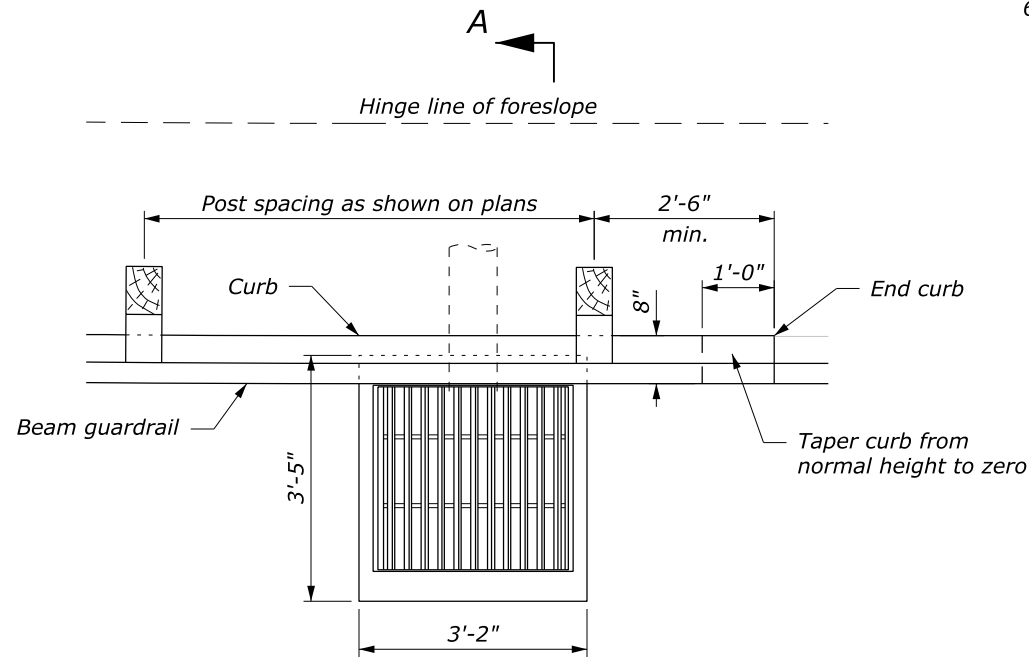


CATCH BASIN LAYOUT AT BRIDGE ENDS

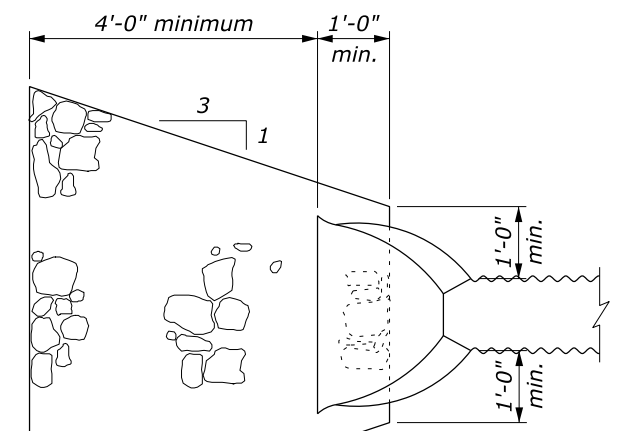
NOTE:

1. CONCRETE: Chamfer exposed edges $\frac{3}{4}$ " unless otherwise shown. Give all concrete surfaces a Class 1 finish.
2. Provide $1\frac{1}{2}$ " minimum concrete cover to the face of any bar unless otherwise shown.
3. See Standard 604-2 for Type A Frame and Grate and Standard 604-3 for Type B Frame and Grate.
4. Make all coupling band connections watertight by placing $\frac{3}{16}$ " bead of approved caulking under each half of the bands before tightening.
5. Fabricate tapered portion of slip-joint from either flat or corrugated sheets.
6. Place Class 2 riprap conforming to Section 251 for protective apron.

DESCRIPTION	FRAME AND GRATE	
	TYPE A	TYPE B
Reinforcing Steel	70 lb	70 lb
Structural Steel	215 lb	238 lb
Concrete	0.85 cuyd	0.85 cuyd

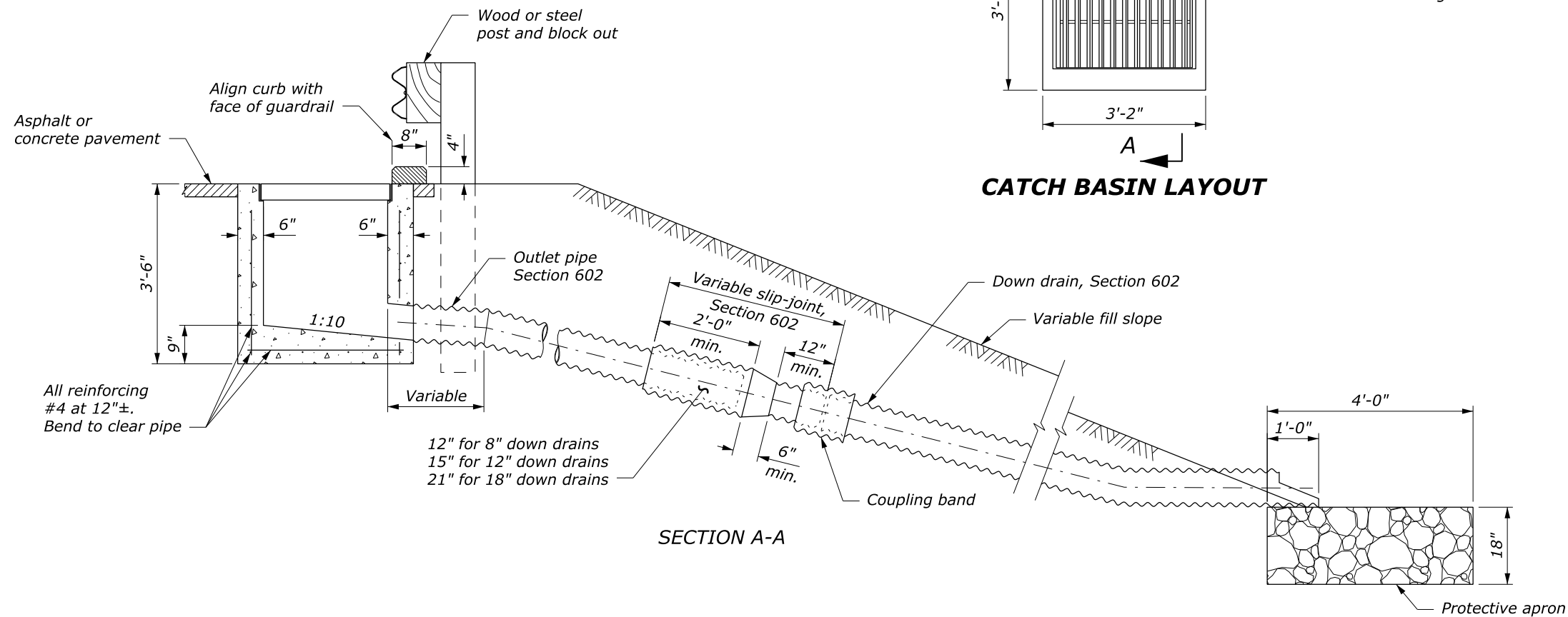


CATCH BASIN LAYOUT

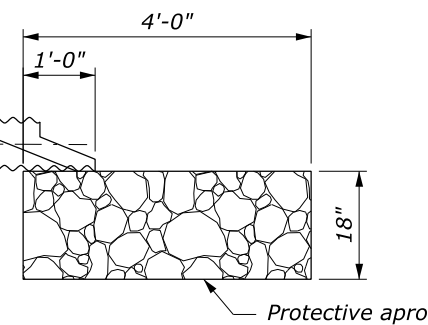


PLAN

PROTECTIVE APRON



SECTION A-A



Protective apron

NO SCALE

U.S. DEPARTMENT OF TRANSPORTATION FEDERAL HIGHWAY ADMINISTRATION FEDERAL LANDS HIGHWAY	
U.S. CUSTOMARY STANDARD CATCH BASIN TYPE 2 WITH DOWN DRAIN	
STANDARD APPROVED FOR USE 6/2005	STANDARD
REVISED:	604-4