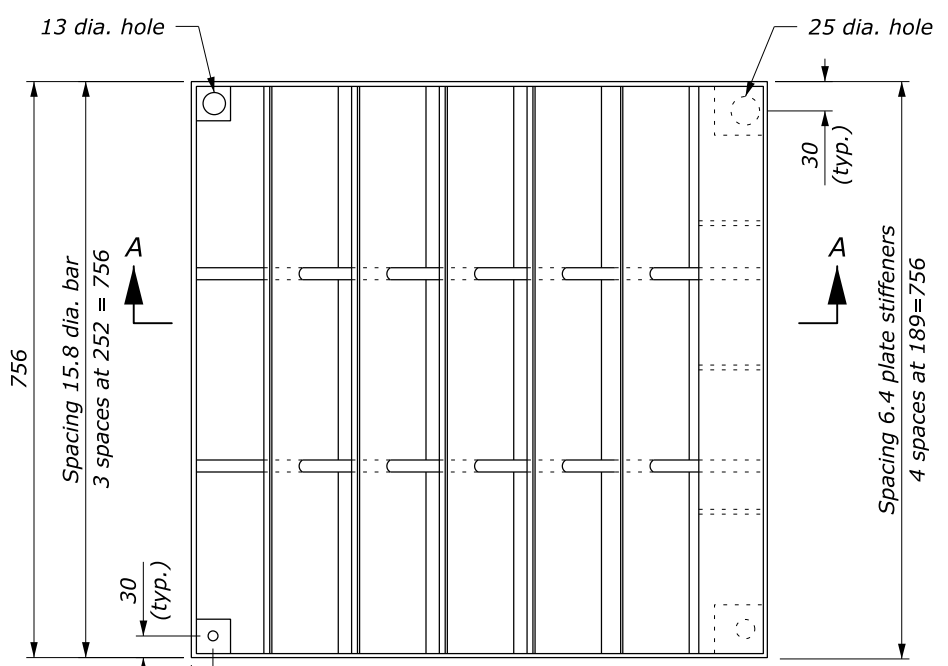
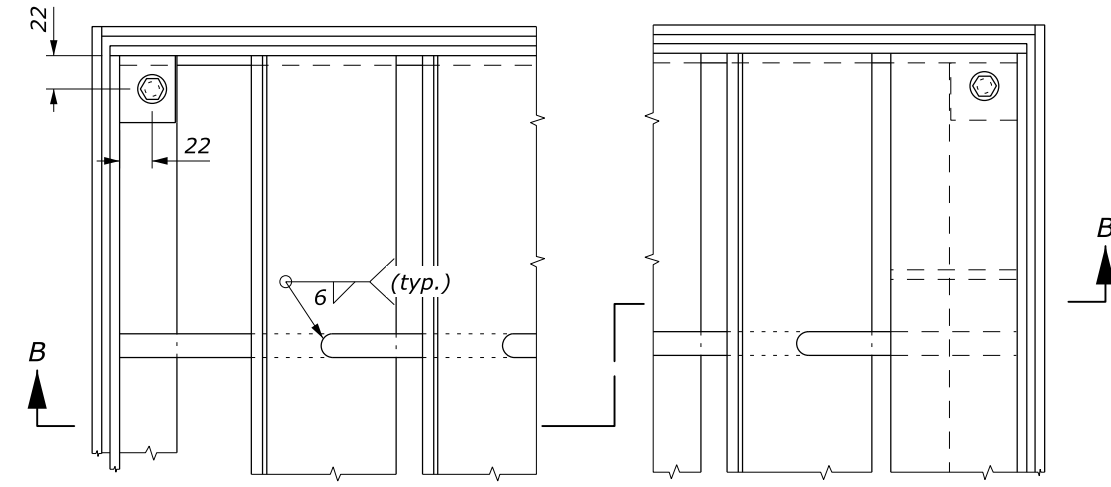


L102 x 64 x 6.4 (trim L to size)

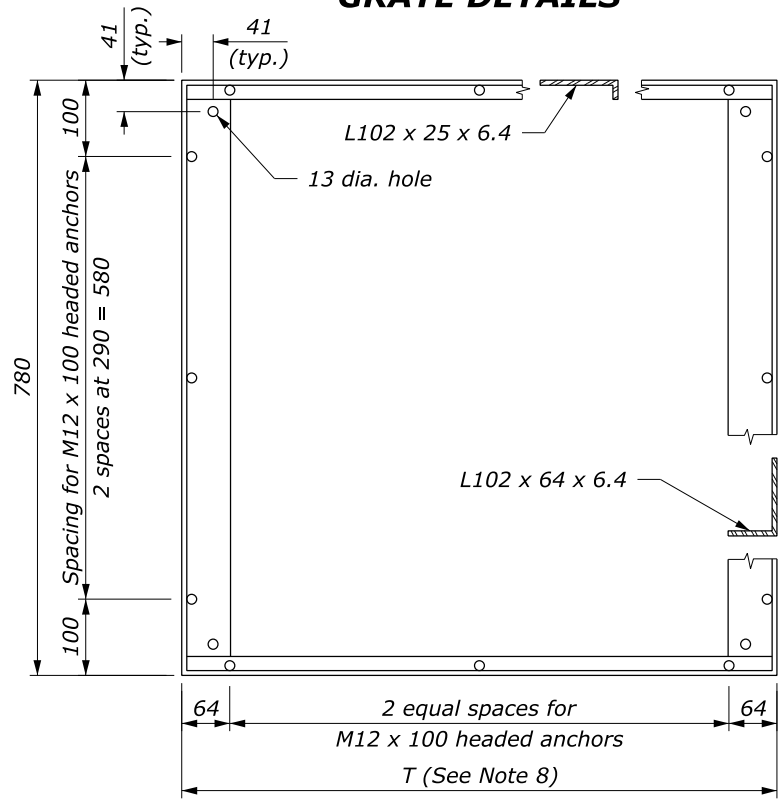
- NOTE:**
1. STRUCTURAL STEEL: AASHTO M 183 (ASTM A 36M).
 2. BOLTS & WASHERS: ASTM A 307, Galvanized.
 3. THREADED CONCRETE ANCHORS: Ferrule loop inserts for M10 bolt or approved equal.
 4. HEADED CONCRETE ANCHORS: Weld to frame with a full penetration butt weld.
 5. WELDING: Weld in conformance with the Standard Specifications. Unless otherwise indicated seal weld all joints with a minimum size fillet weld, based on material thickness. Grind smooth all contact surfaces. FINISH: Galvanized after fabrication.
 6. Estimated weight, frame and grate (756 x 756) 97.5 kg. Increase or decrease weight by 12.7 kg for each 115 increment.
 7. Number of plates varies according to pipe diameter. See Standard M604-1.
 8. See Standard M604-1 for dimensions of T.
 9. Furnish hardware in the metric sizes shown. Equivalent US Customary sizes may be used when metric sizes are unavailable.
 10. Dimensions without units are millimeters.



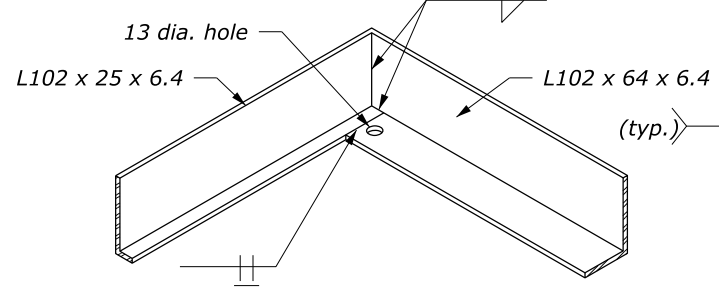
GRATE DETAILS



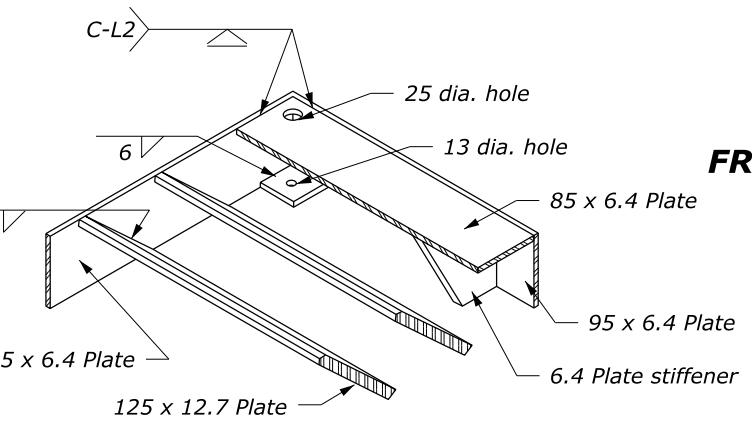
FRAME AND GRATE DETAILS



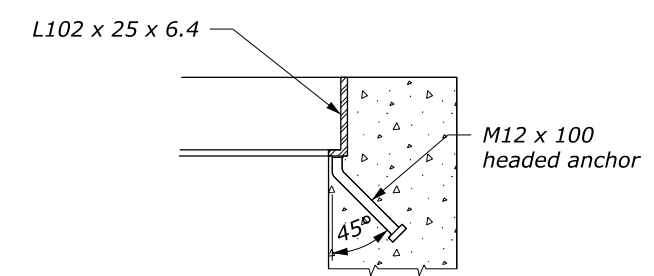
FRAME DETAIL



FRAME CORNER DETAIL



GRATE CORNER DETAIL



FRAME ANCHOR DETAIL

U.S. DEPARTMENT OF TRANSPORTATION FEDERAL HIGHWAY ADMINISTRATION FEDERAL LANDS HIGHWAY	
METRIC STANDARD	
METAL FRAME AND GRATE TYPE A	
STANDARD APPROVED FOR USE 3/1996	STANDARD M604-2
REVISED: 8/1997 6/2005	

NO SCALE