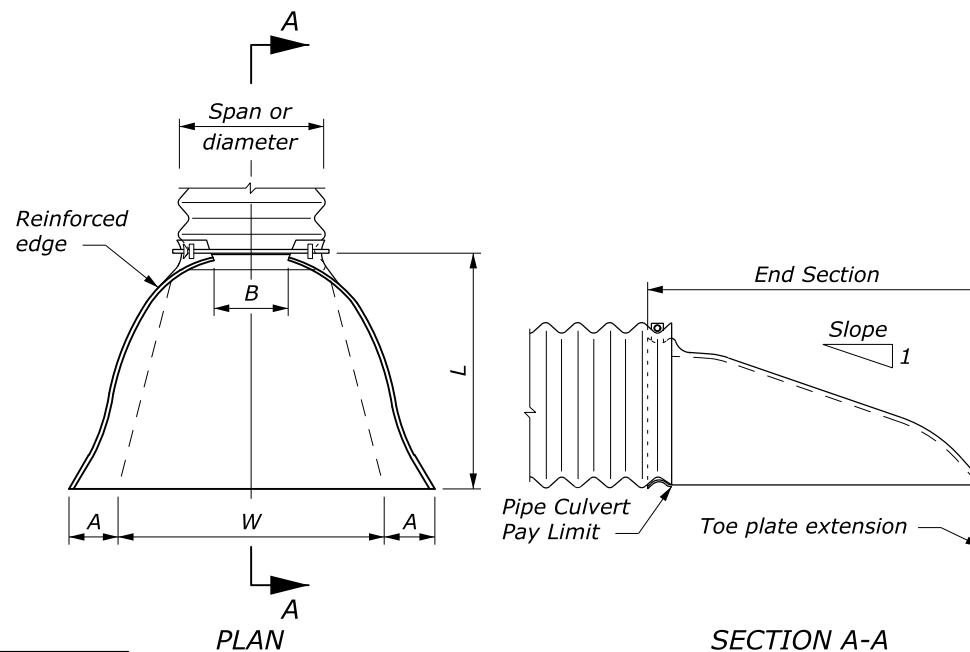


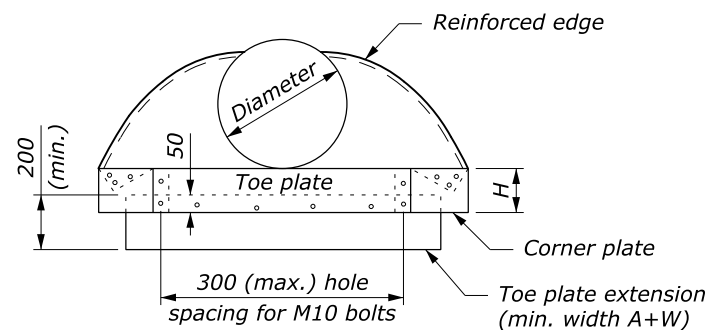
END SECTIONS FOR ROUND PIPE CULVERT

PIPE SIZE DIAMETER	METAL THICKNESS		DIMENSIONS					SLOPE Approx.
	STEEL	ALUMINUM	A (min)	B (max)	H (min)	L (±50)	W (max)	
300	1.63	1.52	125	175	150	525	1100	2¼
375	1.63	1.52	150	200	150	650	1300	2¼
450	1.63	1.52	175	250	150	775	1450	2⅝
525	1.63	1.52	200	300	150	900	1650	2⅝
600	1.63	1.52	225	325	150	1025	1800	2⅝
750	2.01	1.91	275	400	200	1275	2200	2⅝
900	2.01	1.91	325	475	225	1500	2625	2
1050	2.77	2.67	375	625	250	1725	3050	2⅝
1200	2.77	2.67	425	725	300	1950	3275	2
1350	2.77	2.67	425	825	300	2100	3575	2
1500	2.77	2.67	425	900	300	2175	3925	1⅞
1650	2.77	2.67	425	975	300	2175	4050	1⅝
1800	2.77	2.67	425	1100	300	2175	4225	1½
1950	2.77	2.67	425	1200	300	2175	4450	1⅜
2100	2.77	2.67	425	1300	300	2175	4600	1⅓
2250	2.77	2.67	425	1450	300	2175	4700	1¼
2400	2.77	2.67	425	1450	300	2175	4925	1⅞

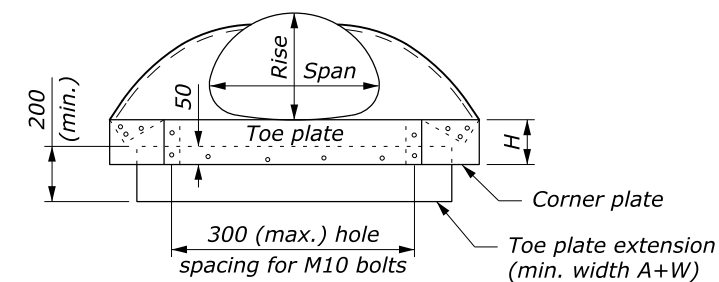


ROUND OR PIPE ARCH CULVERT

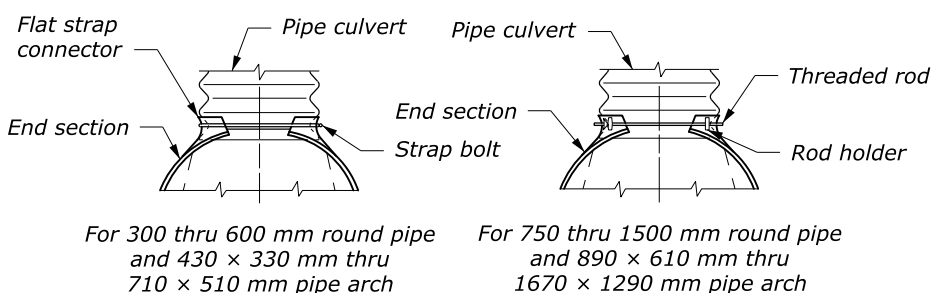
PIPE SIZE SPAN × RISE	EQUI-VALENT DIAM.	METAL THICKNESS		DIMENSIONS					SLOPE Approx.
		STEEL	ALUMINUM	A (min)	B (max)	H (min)	L (±50)	W (max)	
430 × 330	375	1.63	1.52	175	225	150	475	750	2½
530 × 380	450	1.63	1.52	175	250	150	575	900	2½
610 × 460	525	1.63	1.52	200	300	150	700	1050	2½
710 × 510	600	1.63	1.52	225	350	150	800	1200	2½
890 × 610	750	2.01	1.91	250	400	200	975	1500	2½
1070 × 740	900	2.01	1.91	300	450	225	1150	1875	2½
1240 × 840	1050	2.77	2.67	325	525	300	1325	2125	2½
1450 × 970	1200	2.77	2.67	450	650	300	1575	2250	2½
1520 × 1170	1350	2.77	2.67	450	850	300	1750	2550	2
1630 × 1090	1350	2.77	2.67	450	750	300	1750	2550	2
1680 × 1300	1500	2.77	2.67	450	825	300	1925	2900	1½
1800 × 1190	1500	2.77	2.67	450	825	300	1925	2850	1½
1850 × 1400	1650	2.77	2.67	450	900	300	1925	3150	1½
1960 × 1320	1650	2.77	2.67	450	900	300	1925	3150	1½
2060 × 1500	1800	2.77	2.67	450	975	300	1925	3450	1½
2110 × 1450	1800	2.77	2.67	450	975	300	1925	3450	1½
2210 × 1600	1950	2.77	2.67	500	950	300	1925	3700	1½
2410 × 1700	2100	2.77	2.67	500	850	300	2175	4050	1½
2620 × 1800	2250	2.77	2.67	500	950	300	2175	4350	1½
2840 × 1910	2400	2.77	2.67	500	1000	300	2175	4350	1½



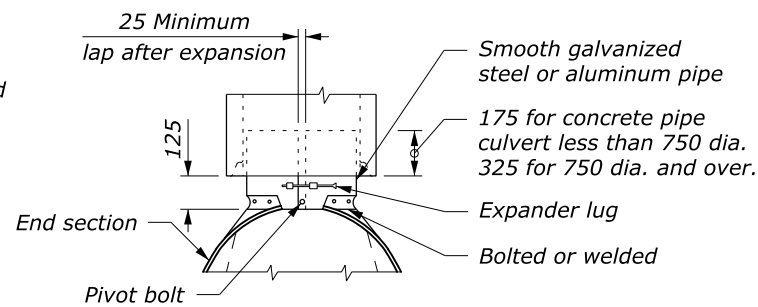
ROUND PIPE CULVERT



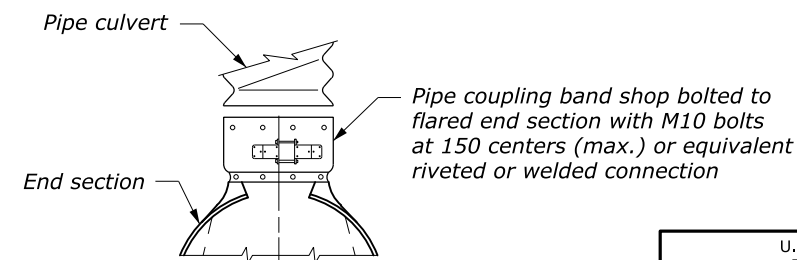
PIPE ARCH CULVERT



DESIGN A CONNECTION TO ANNULAR CORRUGATED METAL PIPE



DESIGN B CONNECTION TO CONCRETE PIPE INLET END



DESIGN C CONNECTION TO METAL PIPE OR OUTLET END OF CONCRETE PIPE

NO SCALE

NOTE:

- Variations in design and dimensions are permitted to allow for manufacturer's standards.
- Fabricate the diameter of the end section of Design B to match the inside diameter of the concrete pipe culvert.
- Design C may be used in lieu of design A for all metal pipe culvert sizes. Coupling bands may be any acceptable type for the pipe culvert specified.
- Fabricate multiple piece bodies with lap seams tightly joined by M10 rivets or bolts. Fabricate end section center panels for 1500 mm and larger diameter pipe and equivalent pipe arch from 3.51 mm steel or 3.43 mm aluminum.
- On end section center panels for 1650 mm and larger equivalent pipe arch provide 64 × 64 × 6.4 angle reinforcement bolted or riveted under the center panel seam.
- Supplement the reinforced edges of end sections for 1500 mm and larger diameter pipe and 1650 mm and larger equivalent pipe arch with 51 × 51 × 6.4 stiffener angles attached with bolts or rivets.
- Fabricate connector section, corner plate and toe plate extensions from the same metal thickness as the panel body. Use toe plate extension where shown on the plans.
- Warp embankment slopes to match the slope of the flared end sections.
- Dimensions without units are millimeters.