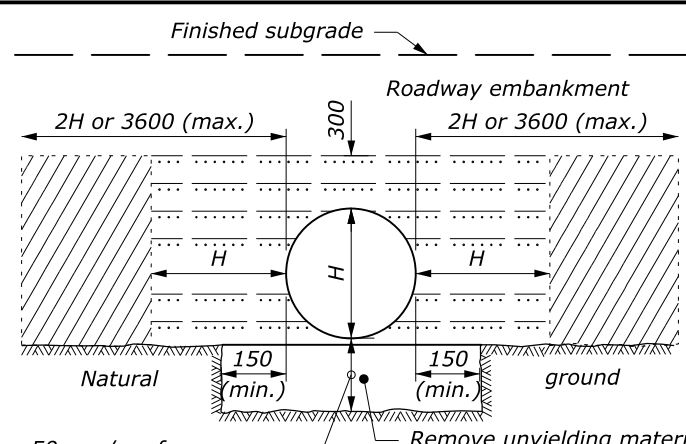
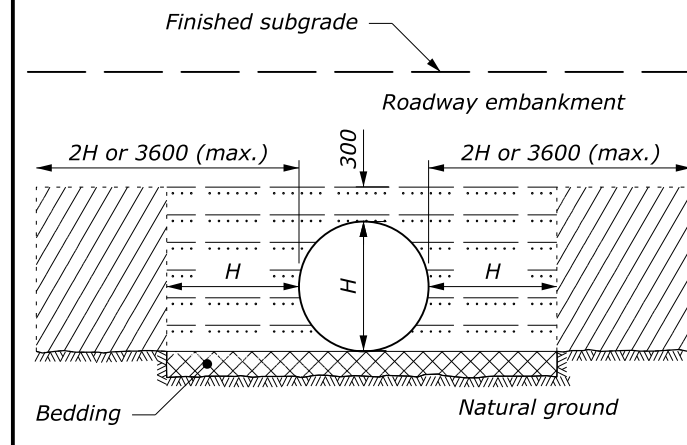


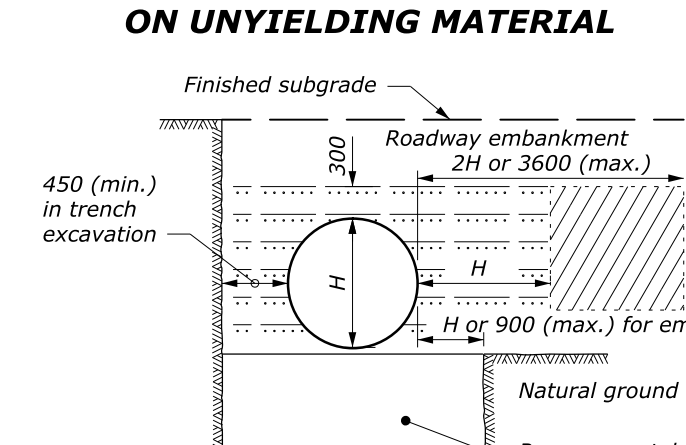
ABOVE NATURAL GROUND



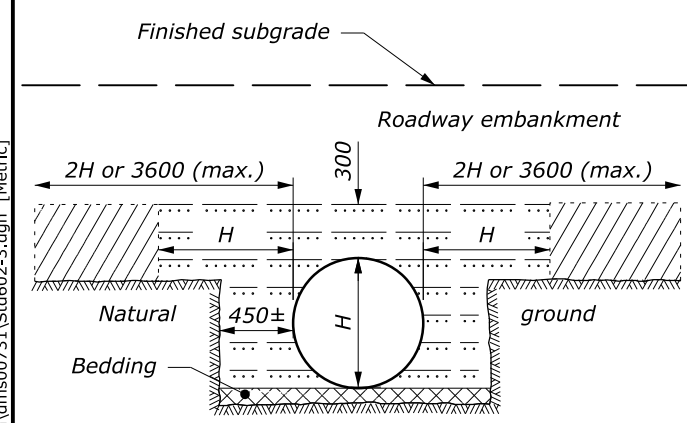
ON UNYIELDING MATERIAL



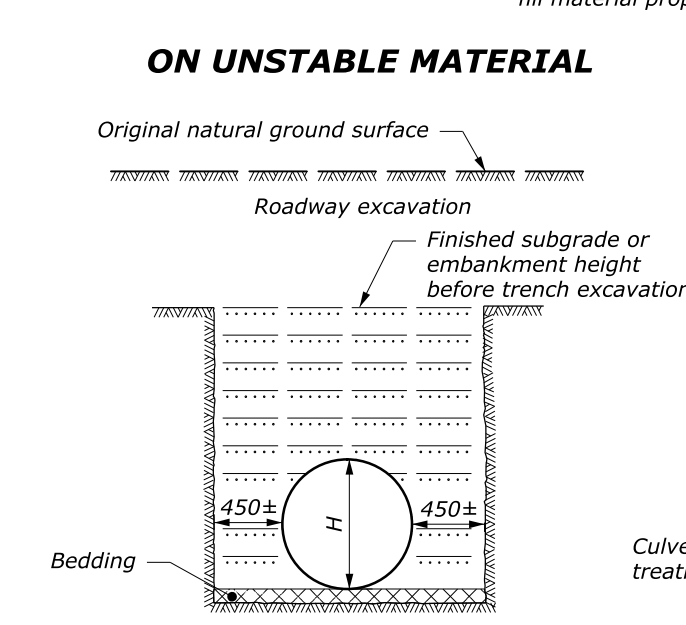
ON NATURAL GROUND



ON UNSTABLE MATERIAL



ABOVE AND BELOW NATURAL GROUND

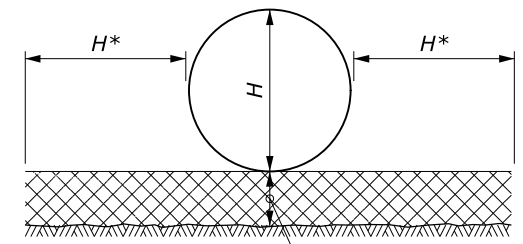


BELOW NATURAL GROUND OR TRENCH EXCAVATION IN EMBANKMENT

BEDDING DEPTH	
PIPE SIZE (H)	DEPTH
300 to 1350	100
> 1350	150

NOTE:

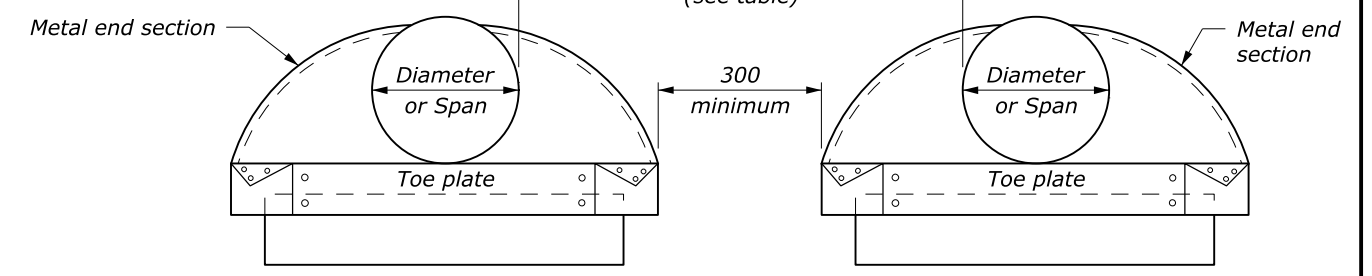
1. When directed, camber pipe culverts upward from a chord through the inlet and outlet inverts an ordinate amount equal to 1% of the pipe length. Develop camber on a parabolic curve. If the midpoint elevation on the parabolic curve as designed exceeds the elevation of the inlet invert, reduce the amount of camber or increase the pipe culvert gradient.
2. H equals the diameter of all round pipe culverts or the rise dimension of all pipe arch culverts.
3. See Section 704 for bedding and backfill requirements.
4. Dimensions without units are millimeters.



* Reduce to 450 for trench excavations See bedding depth table

PIPE BEDDING

MINIMUM SPACING	
DIAMETER or SPAN	SPACING
UP to 1200	610
1200 and UP	Half diameter or span or 900, whichever is less

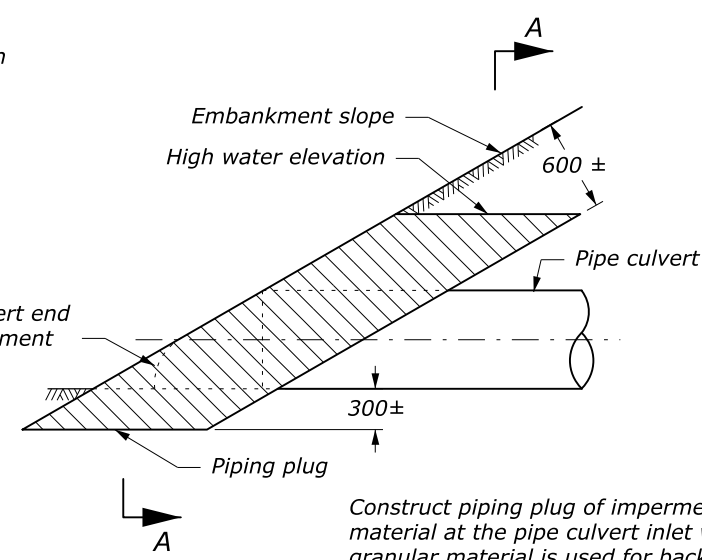


ELEVATION

MULTIPLE PIPE INSTALLATION

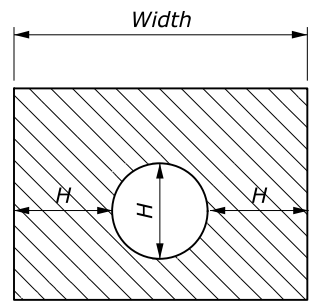
LEGEND:

- Bedding material (uncompacted)
- Embankment material placed in layers not exceeding 150 mm compacted depth.
- Compacted backfill material placed in layers not exceeding 150 mm compacted depth; or lean concrete backfill in accordance with Section 614.
- Impermeable backfill material.



PIPING PLUG

Construct piping plug of impermeable backfill material at the pipe culvert inlet where granular material is used for backfill. Width may be adjusted to tie into impervious material.



SECTION A-A

NO SCALE

U.S. DEPARTMENT OF TRANSPORTATION
FEDERAL HIGHWAY ADMINISTRATION
FEDERAL LANDS HIGHWAY
METRIC STANDARD

METAL AND PLASTIC PIPE CULVERT BEDDING

STANDARD APPROVED FOR USE 3/1996
REVISED: 12/1998 6/2005
DRAFT: 10/2017

STANDARD M602-3