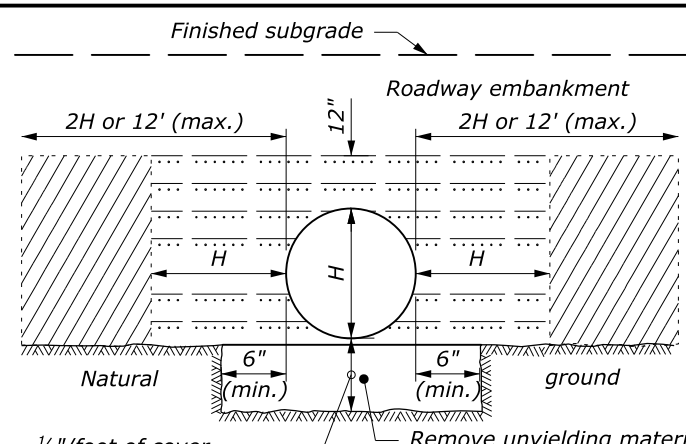
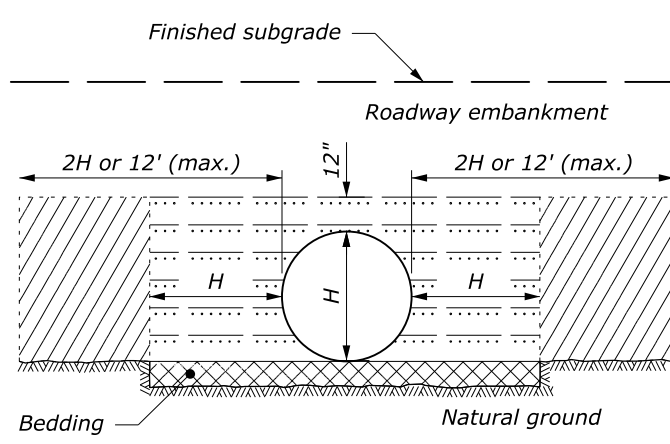


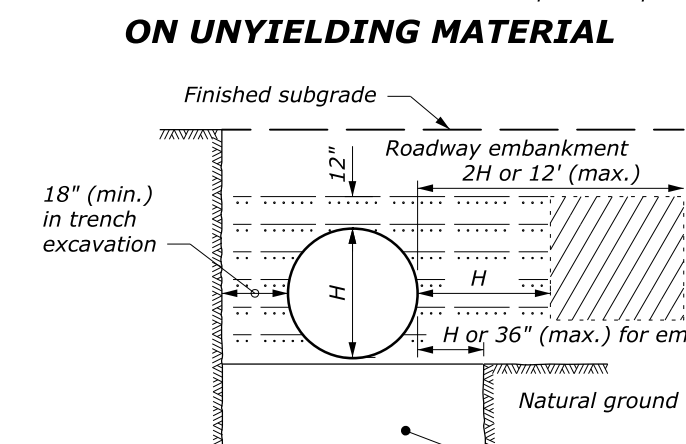
ABOVE NATURAL GROUND



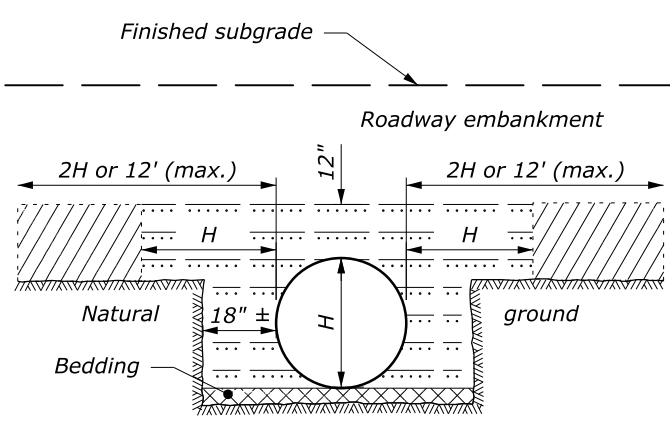
ON UNYIELDING MATERIAL



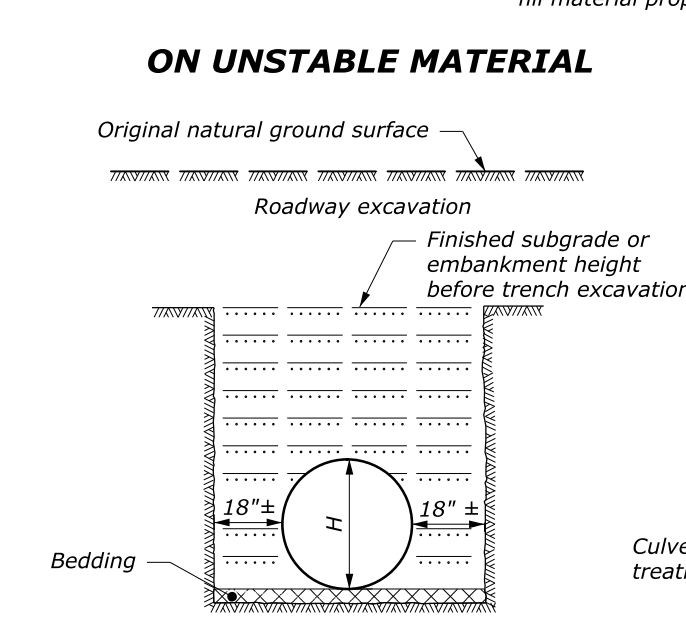
ON NATURAL GROUND



ON UNSTABLE MATERIAL



ABOVE AND BELOW NATURAL GROUND



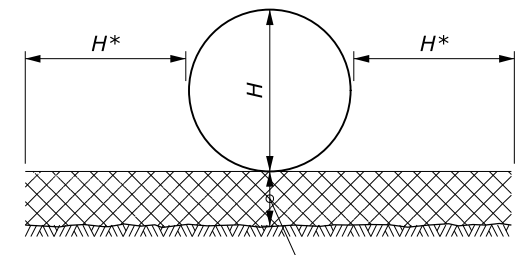
BELOW NATURAL GROUND OR TRENCH EXCAVATION IN EMBANKMENT

- LEGEND:**
- Bedding material (uncompacted)
 - Embankment material placed in layers not exceeding 6" compacted depth.
 - Compacted backfill material placed in layers not exceeding 6" compacted depth; or lean concrete backfill in accordance with Section 614.
 - Impermeable backfill material.

BEDDING DEPTH	
PIPE SIZE (H)	DEPTH
12" to 54"	4"
> 54"	6"

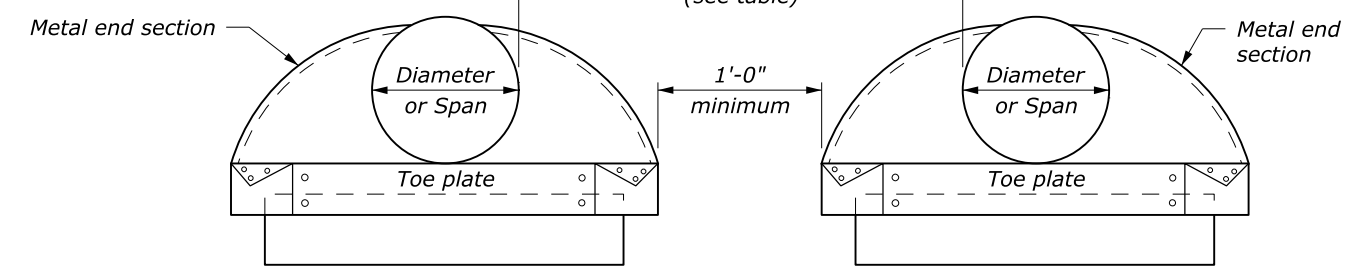
NOTE:

- When directed, camber pipe culverts upward from a chord through the inlet and outlet inverts an ordinate amount equal to 1% of the pipe length. Develop camber on a parabolic curve. If the midpoint elevation on the parabolic curve as designed exceeds the elevation of the inlet invert, reduce the amount of camber or increase the pipe culvert gradient.
- H equals the diameter of all round pipe culverts or the rise dimension of all pipe arch culverts.
- See Section 704 for bedding and backfill requirements.



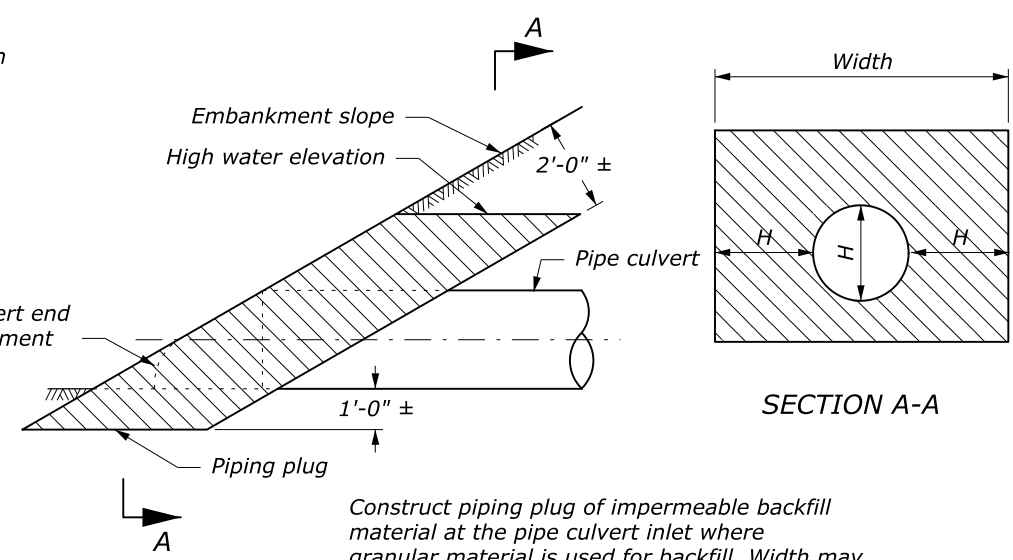
PIPE BEDDING

MINIMUM SPACING	
DIAMETER or SPAN	SPACING
UP to 48"	24"
48" and UP	Half diameter or span or 36", whichever is less



ELEVATION

MULTIPLE PIPE INSTALLATION



SECTION A-A

Construct piping plug of impermeable backfill material at the pipe culvert inlet where granular material is used for backfill. Width may be adjusted to tie into impervious material.

PIPING PLUG

NO SCALE

U.S. DEPARTMENT OF TRANSPORTATION
FEDERAL HIGHWAY ADMINISTRATION
FEDERAL LANDS HIGHWAY

U.S. CUSTOMARY STANDARD

**METAL AND PLASTIC
PIPE CULVERT BEDDING**

STANDARD APPROVED FOR USE 12/1993
REVISED: 4/1994 6/2005
DRAFT: 10/2017

STANDARD
602-3