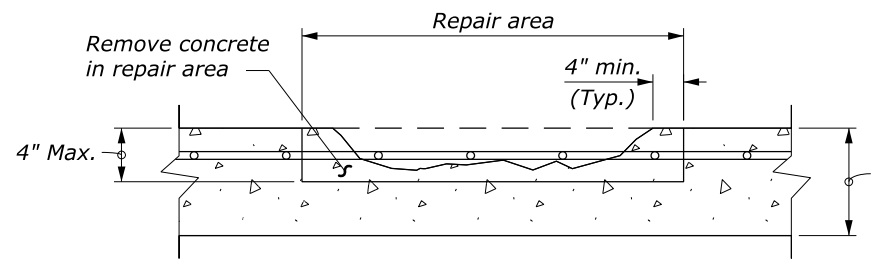


PLAIN CONCRETE PAVEMENT

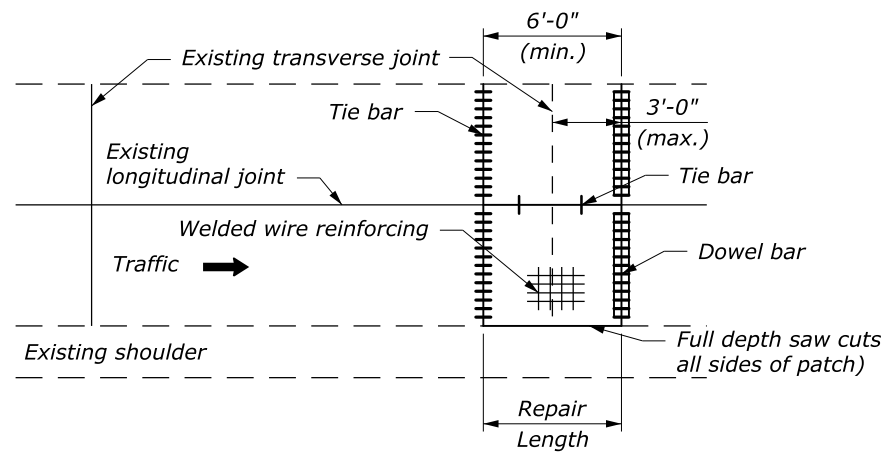


REINFORCED CONCRETE PAVEMENT

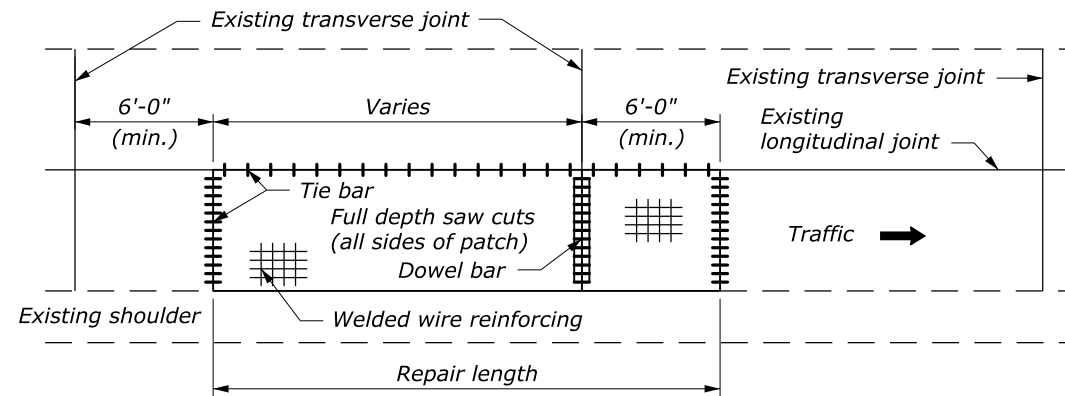
PARTIAL-DEPTH PATCHING

NOTE:

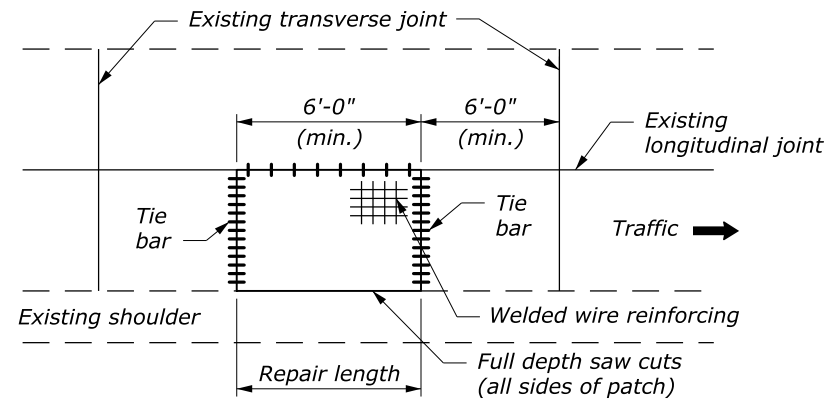
1. See Standard 501-1 for full depth patching welded wire reinforcing.
2. See Standard 501-2 for full depth patching joint details and information.
3. If reinforcement is present within the partial-depth patch area and the bond is destroyed, remove adjacent concrete an additional 3/4 inch. If reinforcement is damaged, remove and replace in kind. Submit reinforcement replacement plan for approval.



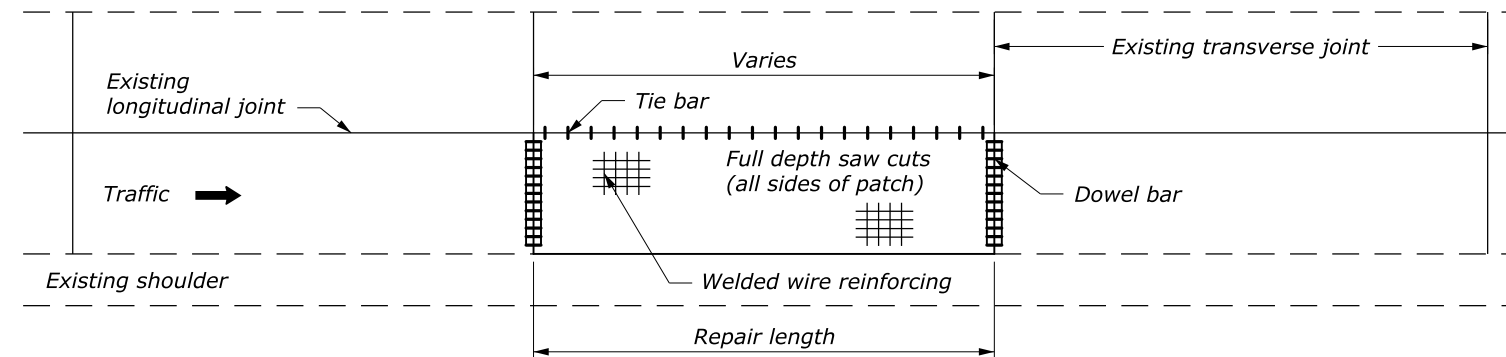
METHOD A



METHOD B



METHOD C



METHOD D

FULL DEPTH PATCHING LAYOUTS

NO SCALE

U.S. DEPARTMENT OF TRANSPORTATION FEDERAL HIGHWAY ADMINISTRATION FEDERAL LANDS HIGHWAY	
U.S. CUSTOMARY STANDARD	
CONCRETE PAVEMENT RESTORATION	
STANDARD APPROVED FOR USE --/----	STANDARD
REVISED: 8/2016	502-1