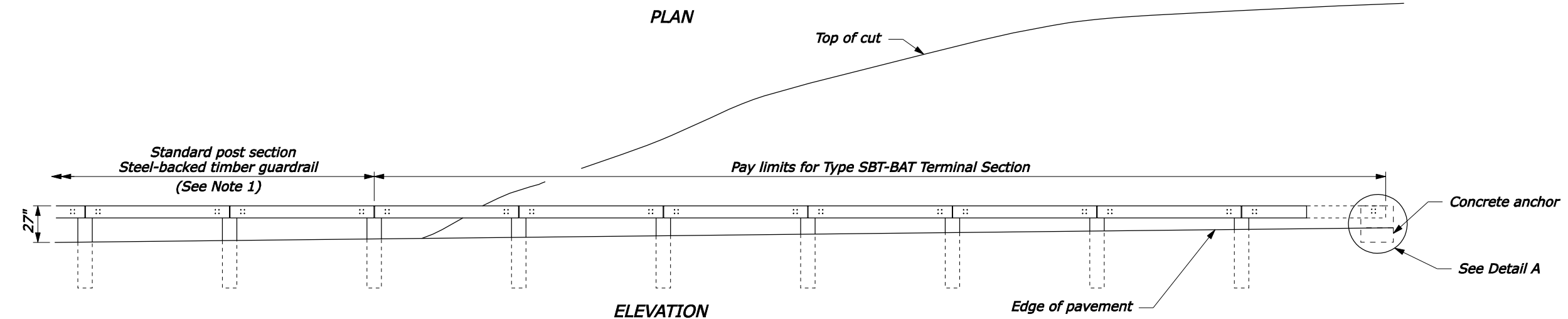
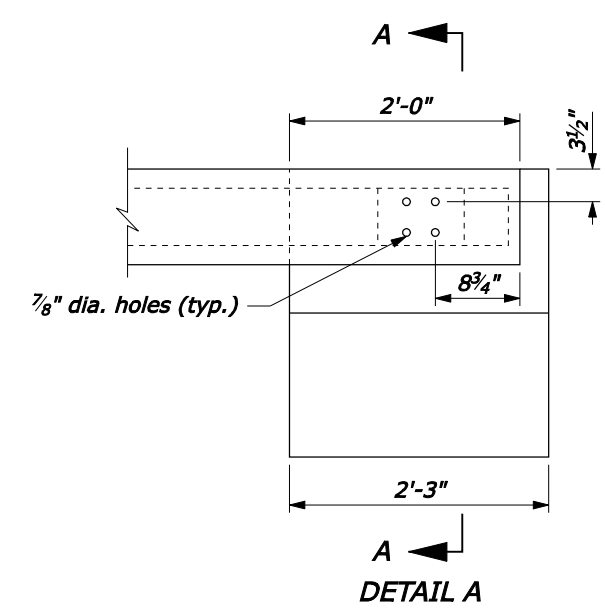


- NOTE:**
1. See Standard 617-60, SBTA and SBTB for timber, structural steel, and hardware details.
 2. On the Type A, blocked-out guardrail, include the blocks in the terminal section, except on the concrete anchor. For the Type B, non-blocked-out guardrail, no blocks are included.
 3. Begin the cut flares at the nearest post to a transition point between fill and cut as directed by the CO.
 4. Extend the flare into the cut until a minimum 1-foot cover is obtained over the guardrail end.

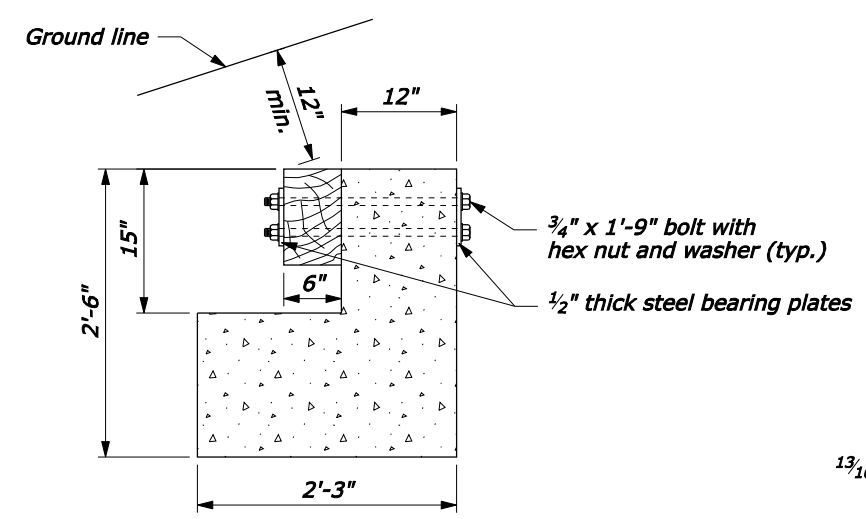


APPROACH & DEPARTURE FLARE WITH BACK SLOPE ANCHOR TERMINAL (BAT)

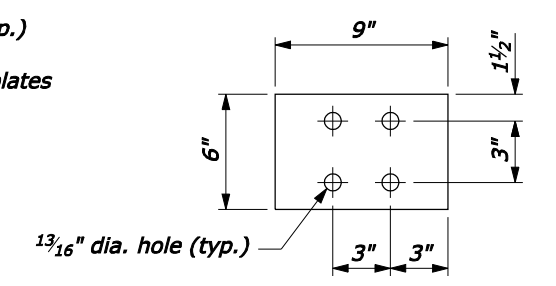
Design Speed (mph)	Shy line offset (ft)	Flare rate inside shy line (a:b)	Flare rate outside shy line (a:b)
60	8.0	26:1	14:1
50	6.5	21:1	11:1
40	5.0	16:1	8:1
30 and less	3.5	13:1	7:1



CONCRETE ANCHOR



SECTION A-A



STEEL BEARING PLATE

NO SCALE

U.S. DEPARTMENT OF TRANSPORTATION
 FEDERAL HIGHWAY ADMINISTRATION
 FEDERAL LANDS HIGHWAY

U.S. CUSTOMARY STANDARD

**STEEL-BACKED TIMBER GUARDRAIL
 TERMINAL SECTION
 TYPE SBT-BAT**

STANDARD APPROVED FOR USE 3/1990	STANDARD
REVISED: 4/1994 6/2005	617-62

F:\StandDraw\61762.dgn [US Customary] 24-Sep-2007 06:33 AM