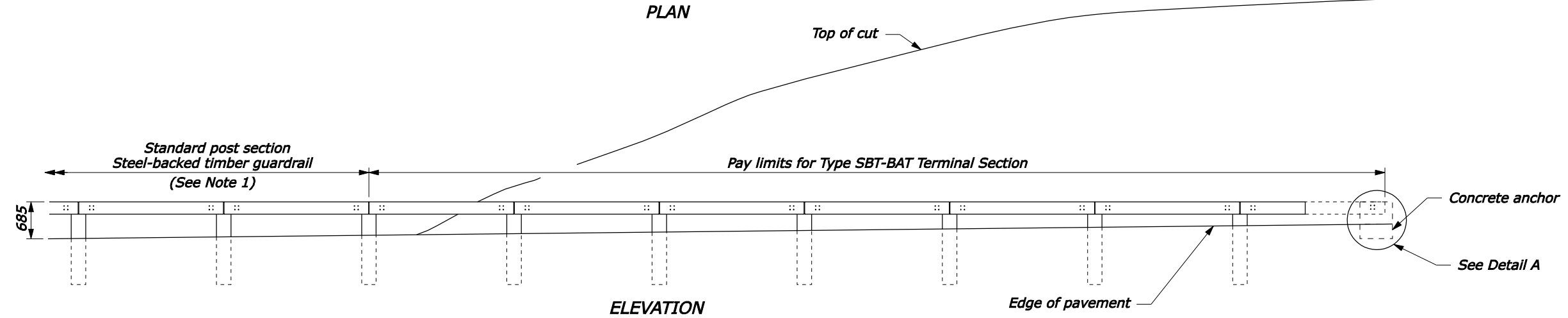
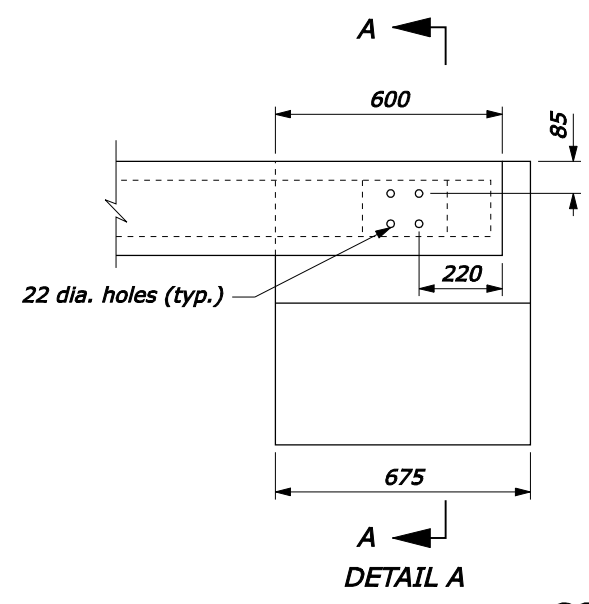


- NOTE:**
1. See Standard M617-60, SBTA and SBTB for timber, structural steel, and hardware details.
 2. On the Type A, blocked-out guardrail, include the blocks in the terminal section, except on the concrete anchor. For the Type B, non-blocked-out guardrail, no blocks are included.
 3. Begin the cut flares at the nearest post to a transition point between fill and cut as directed by the CO.
 4. Extend the flare into the cut until a minimum 300 mm cover is obtained over the guardrail end.
 5. Furnish hardware in the metric sizes shown. Equivalent US Customary sizes may be used when metric sizes are not available.
 6. Dimensions without units are millimeters.

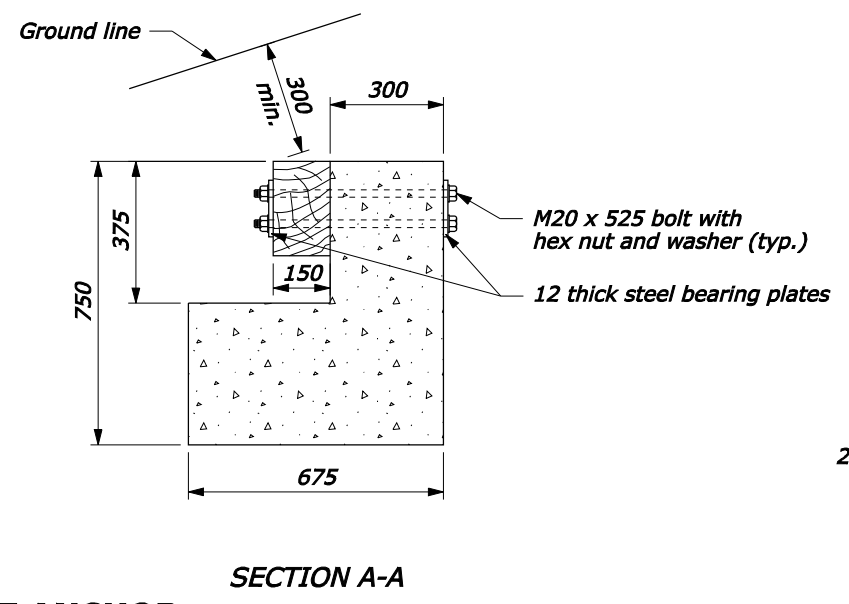


APPROACH & DEPARTURE FLARE WITH BACK SLOPE ANCHOR TERMINAL (BAT)

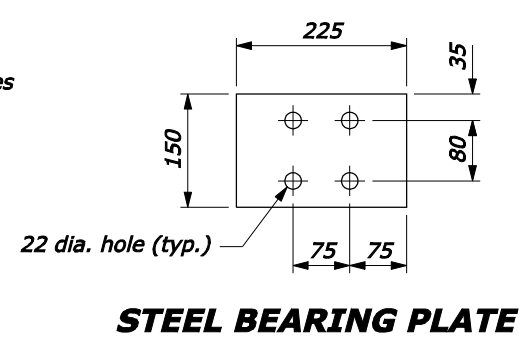
Design Speed (km/h)	Shy line offset (m)	Flare rate inside shy line (a:b)	Flare rate outside shy line (a:b)
100	2.5	26:1	14:1
80	2.0	21:1	11:1
60	1.5	16:1	8:1
50 or less	1.0	13:1	7:1



CONCRETE ANCHOR



SECTION A-A



STEEL BEARING PLATE

U.S. DEPARTMENT OF TRANSPORTATION
 FEDERAL HIGHWAY ADMINISTRATION
 FEDERAL LANDS HIGHWAY

METRIC STANDARD

**STEEL-BACKED TIMBER GUARDRAIL
 TERMINAL SECTION
 TYPE SBT-BAT**

STANDARD APPROVED FOR USE 3/1996
 REVISED: 6/2005

STANDARD
M617-62

NO SCALE

24-Sep-2007 06:32 AM F:\StandDraw\std61762.dgn [Metric]