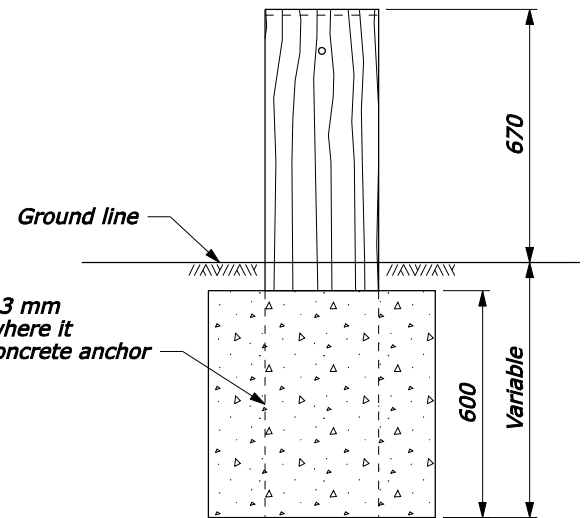
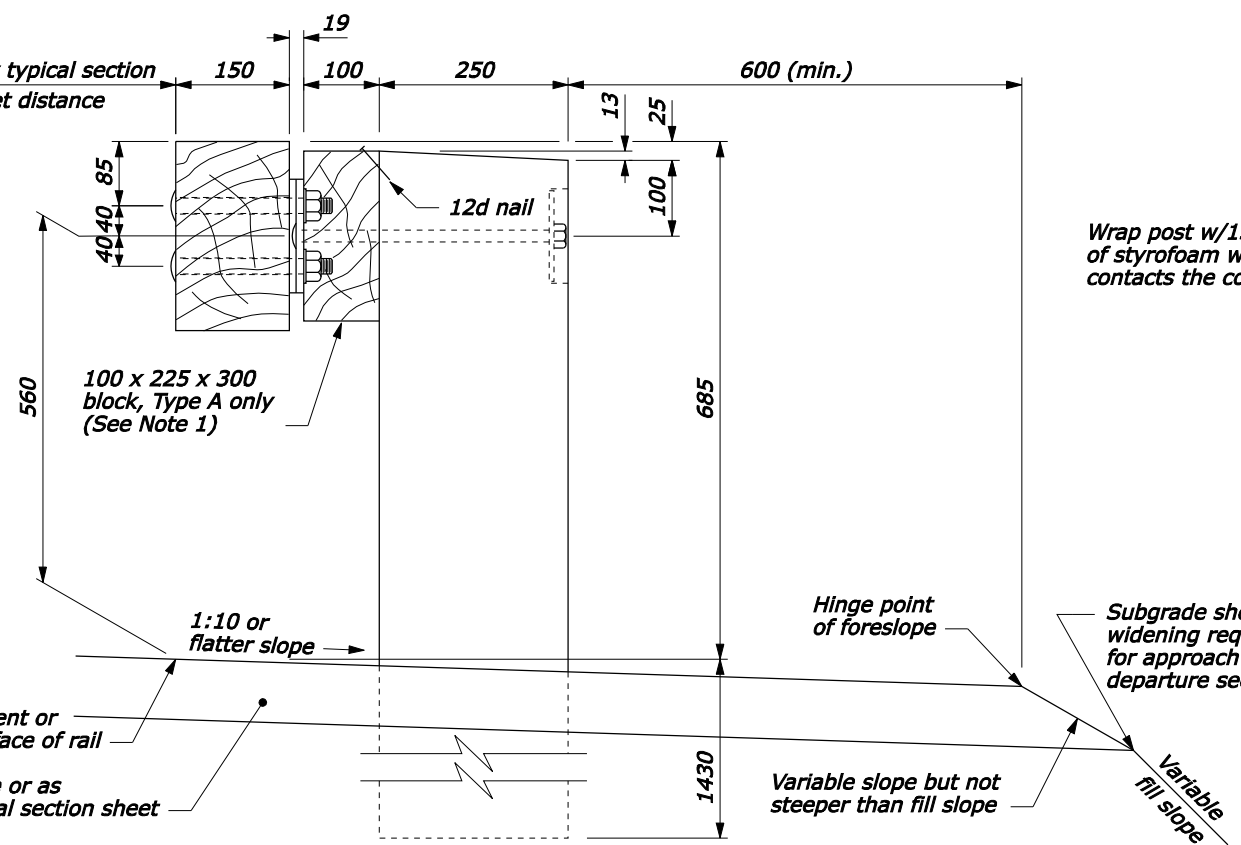
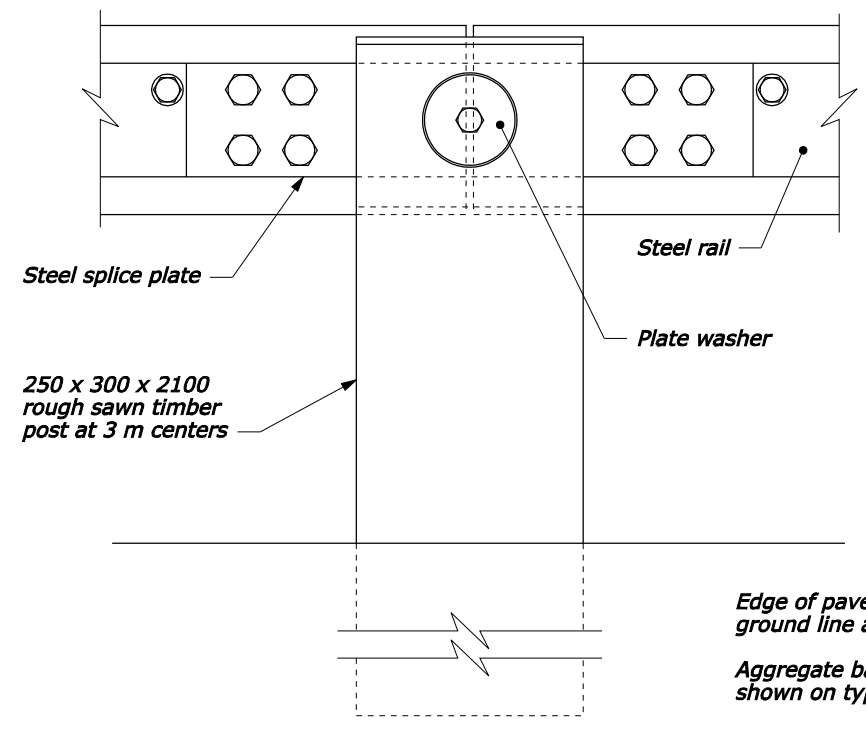
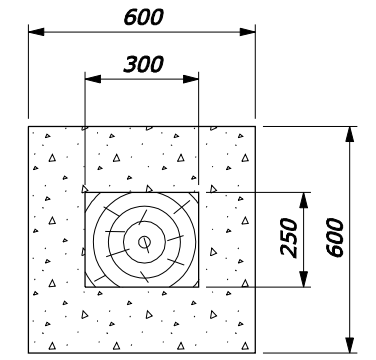
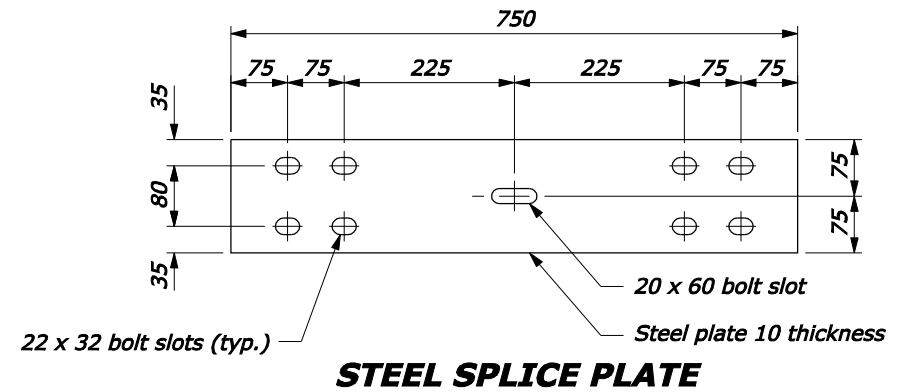
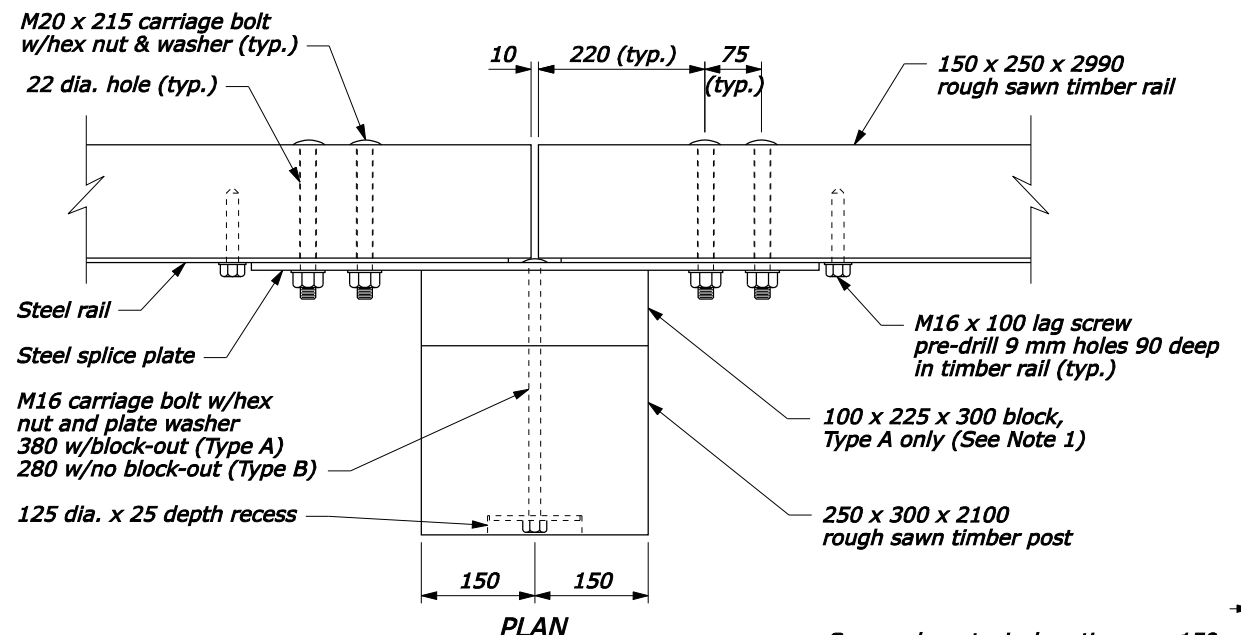


- NOTE:**
1. Use the Type A, blocked-out, system or the Type B, non-blocked-out, system as specified in the plans.
  2. Use weathering steel for all structural steel and fastener hardware as specified.
  3. Place a terminal section (See Standards M617-61 and M617-62) on both approach and trailing ends of barrier installations.
  4. Furnish hardware in the metric sizes shown. Equivalent imperial sizes may be used when metric sizes are not available.
  5. Dimensions without units are millimeters.



600 dia. round anchor is an acceptable alternative. Reduced size acceptable in solid rock.

**CONCRETE ANCHOR FOR SHORT GUARDRAIL POST**

U.S. DEPARTMENT OF TRANSPORTATION FEDERAL HIGHWAY ADMINISTRATION FEDERAL LANDS HIGHWAY	
METRIC STANDARD	
<b>STEEL-BACKED TIMBER GUARDRAIL TYPE A &amp; TYPE B</b>	
STANDARD APPROVED FOR USE 3/1996	STANDARD
REVISED: 5/1997 6/2005	M617-60

NO SCALE

20-Sep-2007 06:41 AM

F:\StandDraw\std1760.dgn [Metric]