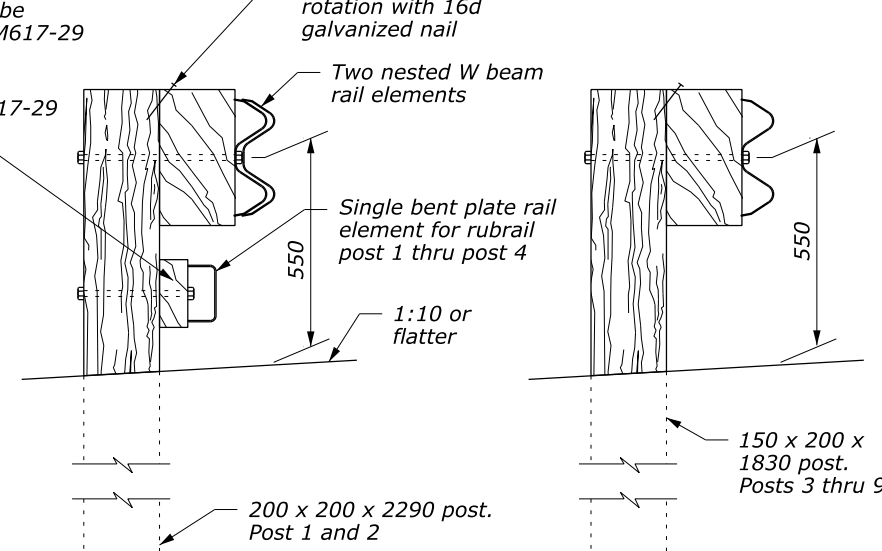
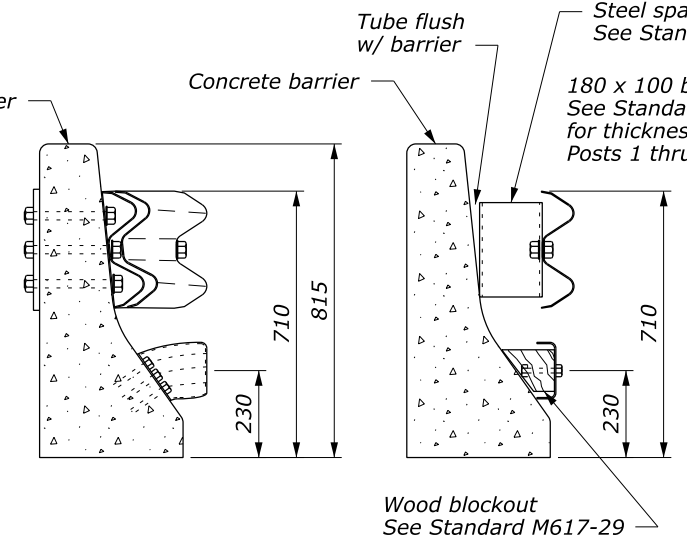
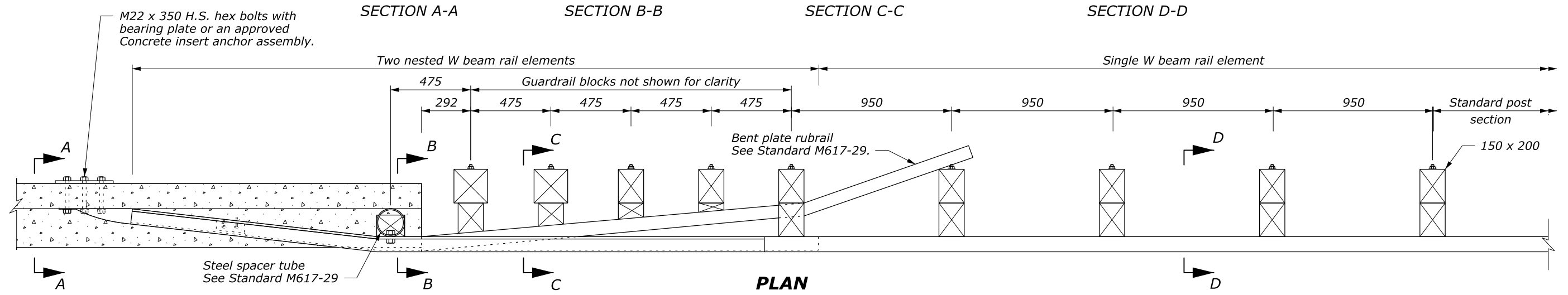


BEARING PLATE

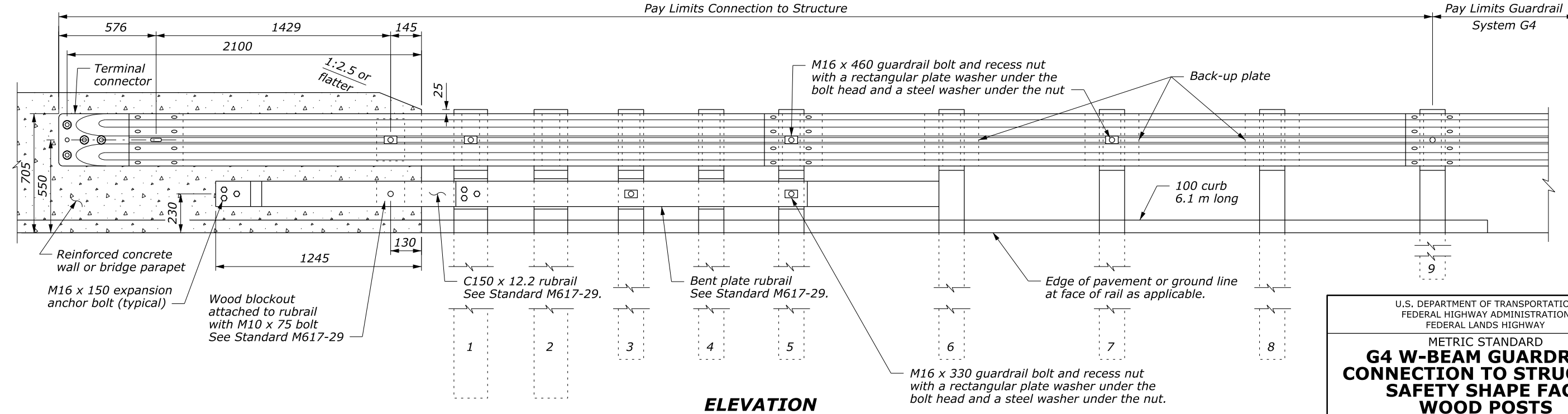


NOTE:

1. Posts 1 through 5 require an additional hole to attach lower wood blocks and/or rubrail.
2. Center drill wood blocks for rubrail located on posts 1 through 4. Secure blocks to posts 2 and 4. Secure rubrail and blocks to posts 1, 3, and 5 using M16 carriage bolts.
3. Do not bolt W beam to posts and blocks at posts 2 and 4.
4. Reinforced concrete wall or bridge parapet must be capable of developing a 265 kN pull out strength.
5. Furnish hardware in the metric sizes shown. Equivalent U.S. Customary sizes may be used when metric sizes are unavailable.
6. Dimensions without units are millimeters.



PLAN



ELEVATION

NO SCALE

U.S. DEPARTMENT OF TRANSPORTATION
FEDERAL HIGHWAY ADMINISTRATION
FEDERAL LANDS HIGHWAY

**METRIC STANDARD
G4 W-BEAM GUARDRAIL
CONNECTION TO STRUCTURE
SAFETY SHAPE
WOOD POSTS**

STANDARD APPROVED FOR USE 3/1996
REVISED: 1/1998
DRAFT: 9/2013

STANDARD
M617-27

30 September 2013 10:45 AM c:\myfiles\pw_production\dms67487\Standard_617-27.DRAFT.dgn [Metric]