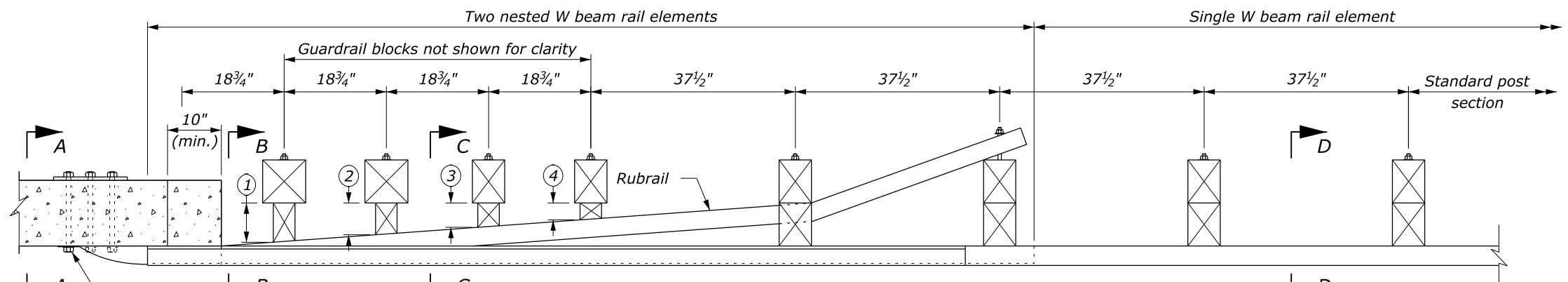
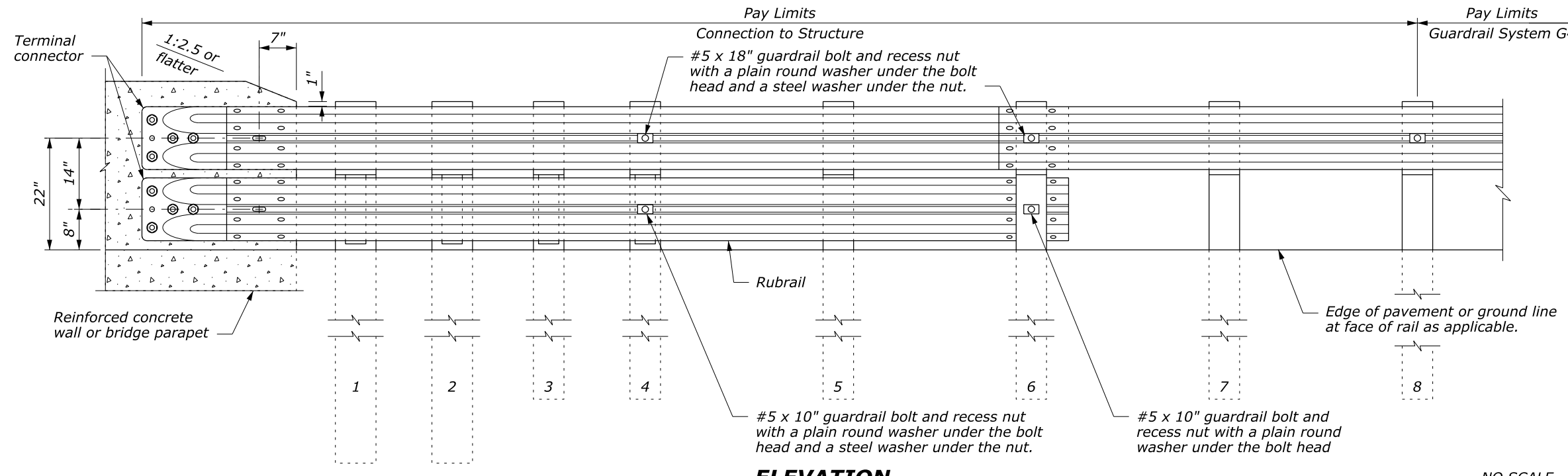
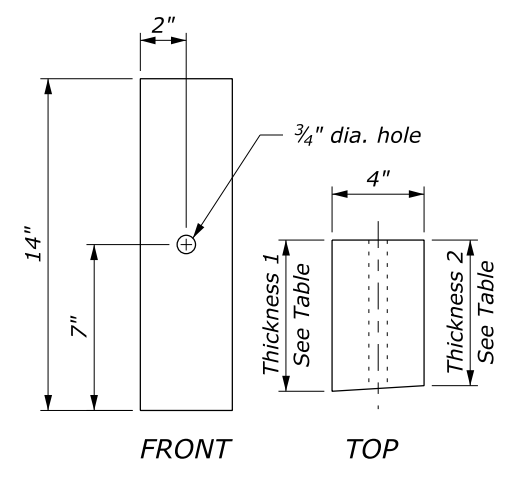


- NOTE:**
- The rubrail may be shop bent in the last 37 1/2" to facilitate installation.
 - CENTER drill wood blocks for rubrail located on posts 1 through 4. Secure blocks to post 1 through 3 with M16 carriage bolts.
 - Posts 1, 2, 3, 4 and 6 require an additional hole to attach lower wood blocks and/or the rubrail.
 - Do not bolt nested W beam or rubrail W beam to posts and blocks on posts 1, 2, 3 and 5. Bolt blocks directly to posts.
 - Reinforced concrete wall or bridge parapet must be capable of developing a 59.6 kip pull out strength.



WOOD BLOCKS FOR RUBRAIL		
POST	THICKNESS 1	THICKNESS 2
①	6 1/2"	6 1/4"
②	5 3/8"	5"
③	4"	3 5/8"
④	2 5/8"	2 7/16"
⑤	NO BLOCK	NO BLOCK



U.S. DEPARTMENT OF TRANSPORTATION
 FEDERAL HIGHWAY ADMINISTRATION
 FEDERAL LANDS HIGHWAY

U.S. CUSTOMARY STANDARD
G4 W-BEAM GUARDRAIL CONNECTION TO VERTICAL FACE STRUCTURE WOOD POSTS

STANDARD APPROVED FOR USE --/--

REVISOR: 9/2013
 DRAFT: 9/2013

STANDARD 617-25

30 September 2013 4:29 PM c:\myfiles\pw_production\dmms67487\Standard_617-25.DRAFT.dgn [USC]

NO SCALE