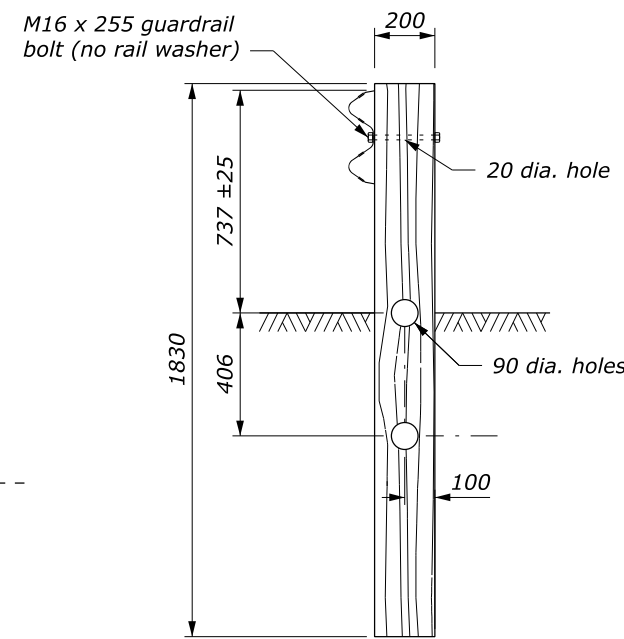
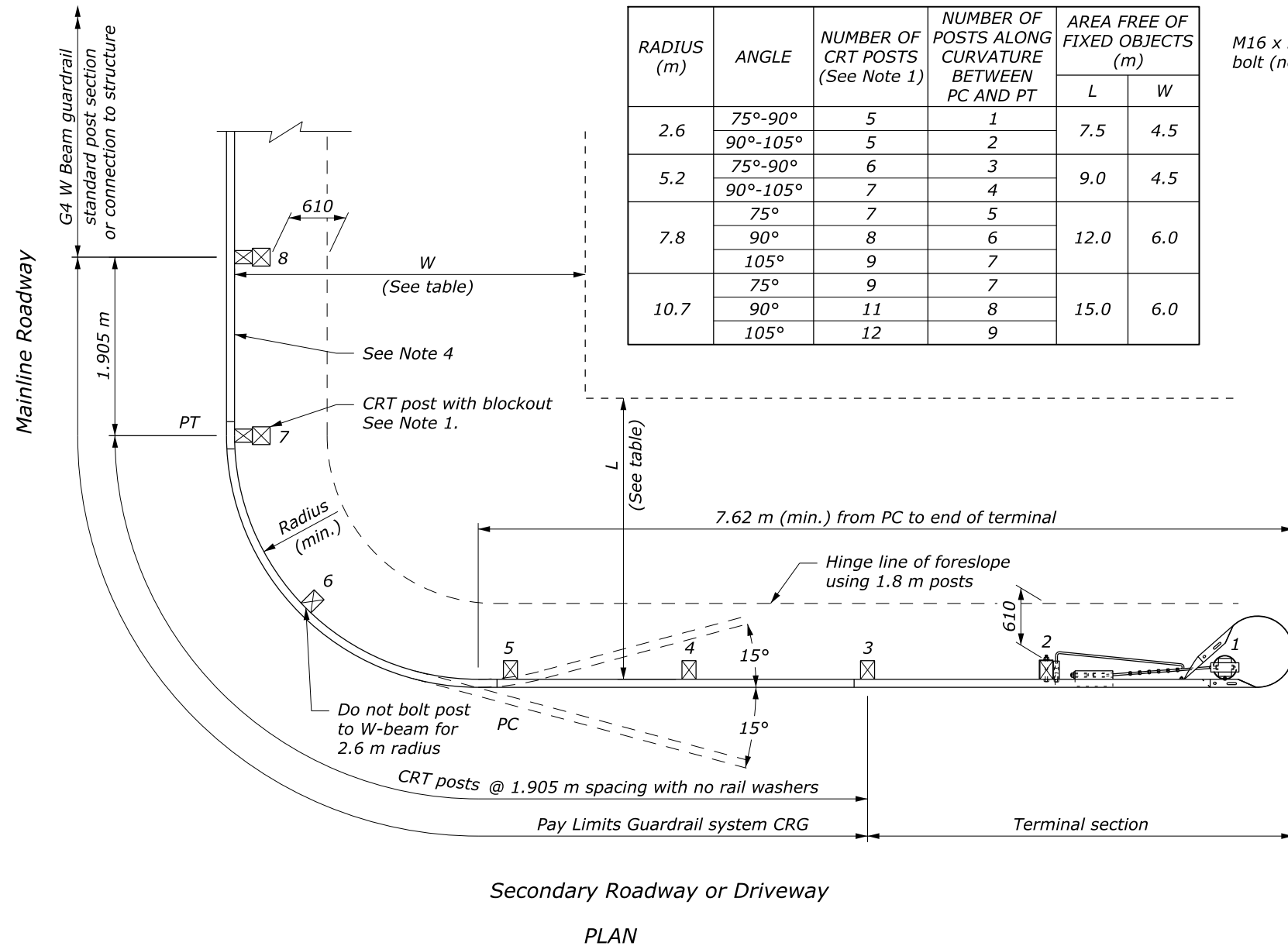
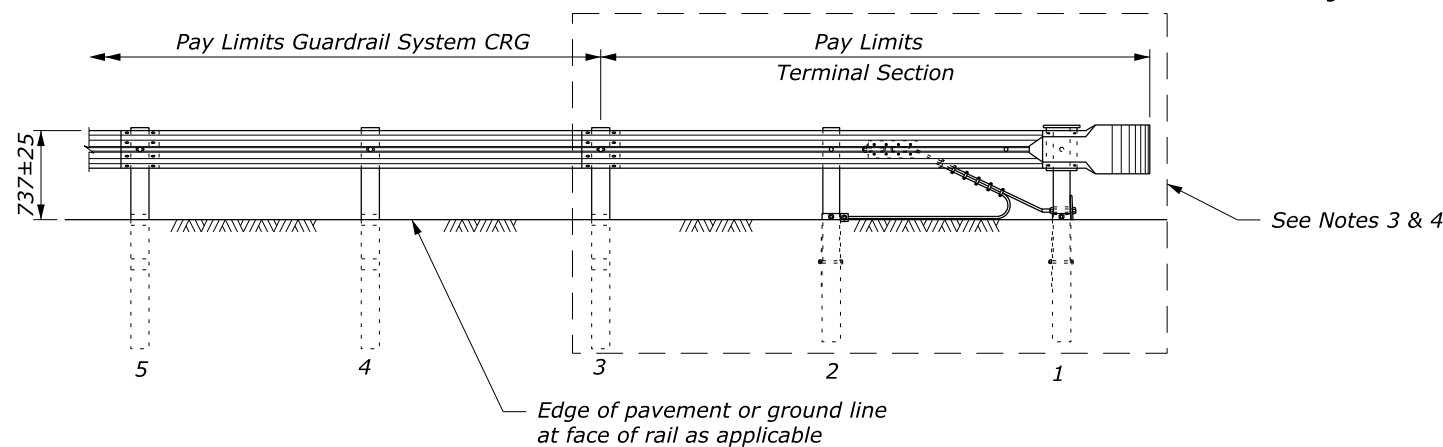
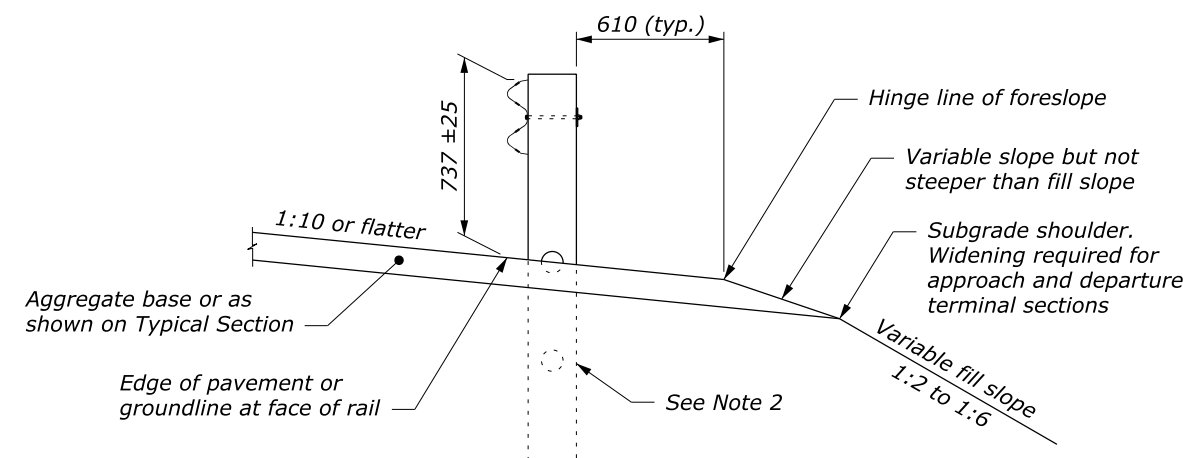


RADIUS (m)	ANGLE	NUMBER OF CRT POSTS (See Note 1)	NUMBER OF POSTS ALONG CURVATURE BETWEEN PC AND PT	AREA FREE OF FIXED OBJECTS (m)	
				L	W
2.6	75°-90°	5	1	7.5	4.5
	90°-105°	5	2		
5.2	75°-90°	6	3	9.0	4.5
	90°-105°	7	4		
7.8	75°	7	5	12.0	6.0
	90°	8	6		
	105°	9	7		
10.7	75°	9	7	15.0	6.0
	90°	11	8		
	105°	12	9		



NOTE:

- CRT posts include those posts between the terminal and PT, plus the post with block at Post #7. See Standard M617-10 for block details.
- See Special Contract Requirements when 2 meter or longer posts are specified.
- See Standard M617-22 for terminal section, Type CRT details. The use of the CRT terminal is limited to driveways, service roads, and low speed minor road approaches. Use the appropriate TL-2 or TL-3 terminal on all other roadway approaches.
- If the CRG will be connected to transition rail at Post 8, add a standard post and block midway between Posts 7 and 8.
- Dimensional tolerances not shown or implied are intended to be those consistent with the proper functioning of the part, including its appearance, and accepted manufacturing practices.
- Furnish hardware in the metric sizes shown. Equivalent US Customary sizes may be used when metric sizes are unavailable.
- Dimensions without units are millimeters.



GUARDRAIL SYSTEM CRG WITH CRT POSTS

NO SCALE

U.S. DEPARTMENT OF TRANSPORTATION FEDERAL HIGHWAY ADMINISTRATION FEDERAL LANDS HIGHWAY	
METRIC STANDARD	
CRG W-BEAM GUARDRAIL WOOD POSTS	
STANDARD APPROVED FOR USE 3/1996	STANDARD
REVISED: 12/1998 6/2005 DRAFT: 3/2016	M617-21