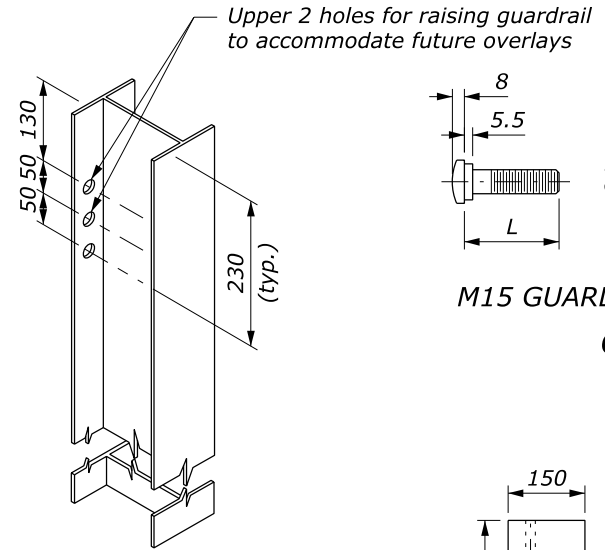
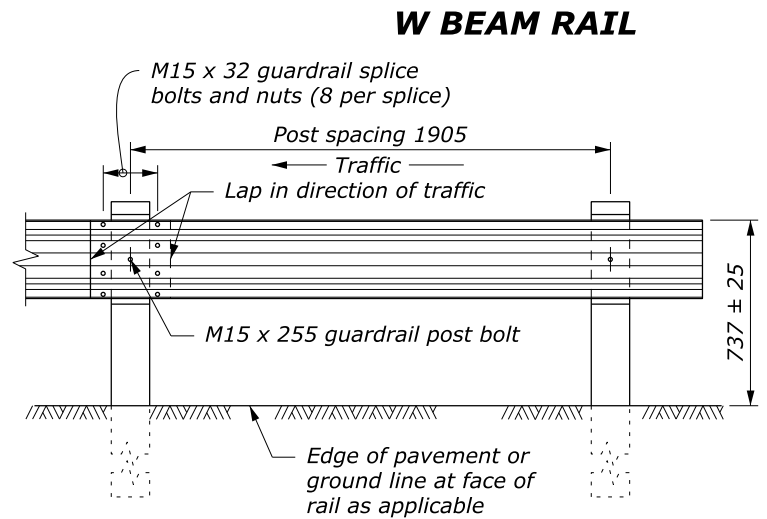
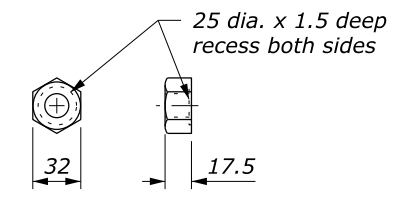


- NOTE:**
- When encountering impenetrable material, see Standards M617-13 or M617-24.
  - See Special Contract Requirements when 2 m or longer posts are specified.
  - See Special Contract Requirements when the alternative hole arrangement is specified.
  - Install delineator every fourth post. Fasten delineator to post using two galvanized 50 mm x 9.5 mm bolts with a washer on both sides, a lock washer, and nut; or fasten as specified by the manufacturer.
  - Modified block may be wood, plastic, or composite material. Use consistent material throughout the length of guardrail run.
  - Dimensional tolerances not shown or implied are intended to be those consistent with the proper functioning of the part, including its appearance, and accepted manufacturing practices.
  - Furnish hardware in the metric sizes shown. Equivalent US Customary sizes may be used when metric sizes are unavailable.
  - Dimensions without units are millimeters.

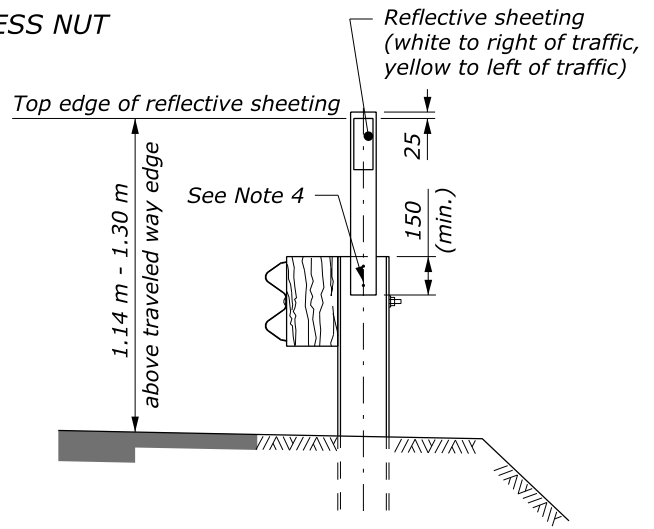
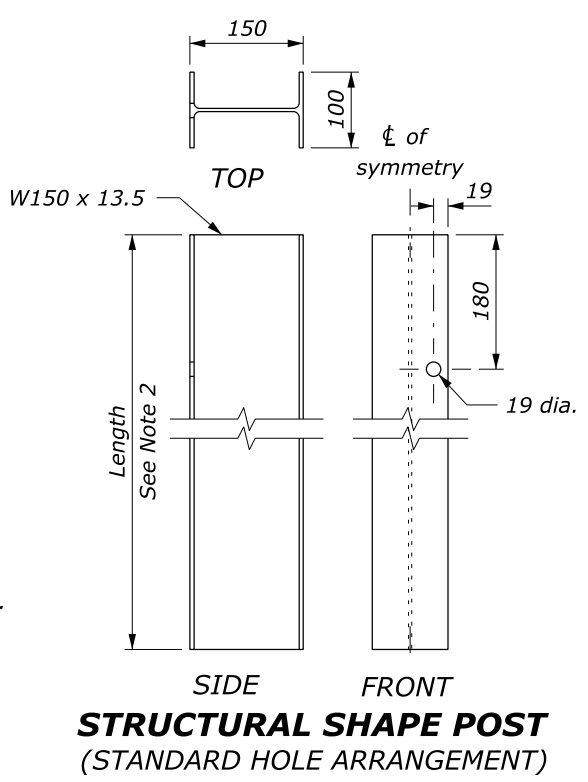
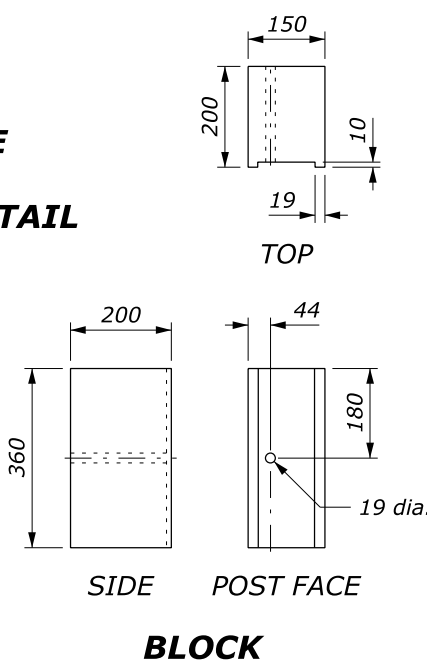


**M15 GUARDRAIL BOLT**

L	Thread Length
32	30 minimum
50	45 minimum
255	100 minimum
460	100 minimum
640	100 minimum



**GUARDRAIL BOLT AND RECESS NUT**



U.S. DEPARTMENT OF TRANSPORTATION  
 FEDERAL HIGHWAY ADMINISTRATION  
 FEDERAL LANDS HIGHWAY

METRIC STANDARD

**G4 W-BEAM GUARDRAIL STEEL POSTS**

STANDARD APPROVED FOR USE 3/1996  
 REVISED: 6/1997 12/1998 6/2005  
 DRAFT: 9/2017

STANDARD M617-11

NO SCALE

8 September 2017 5:21 PM c:\myfiles\pw\_production\dms67487\Std617-11.dgn [Metric]