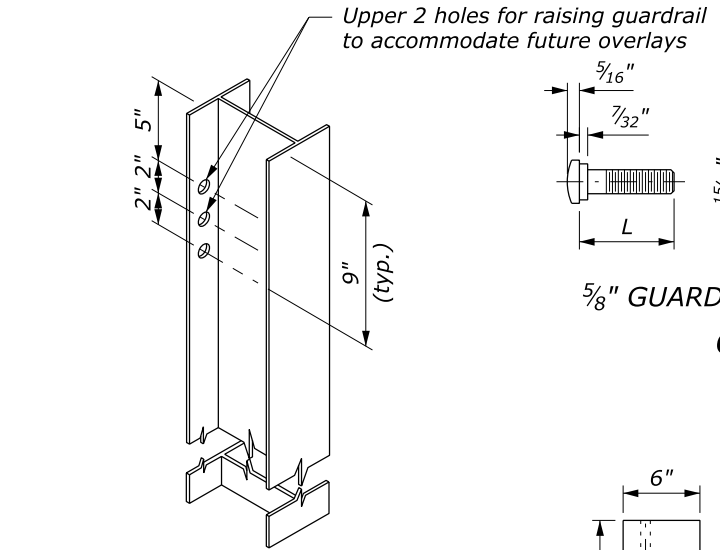
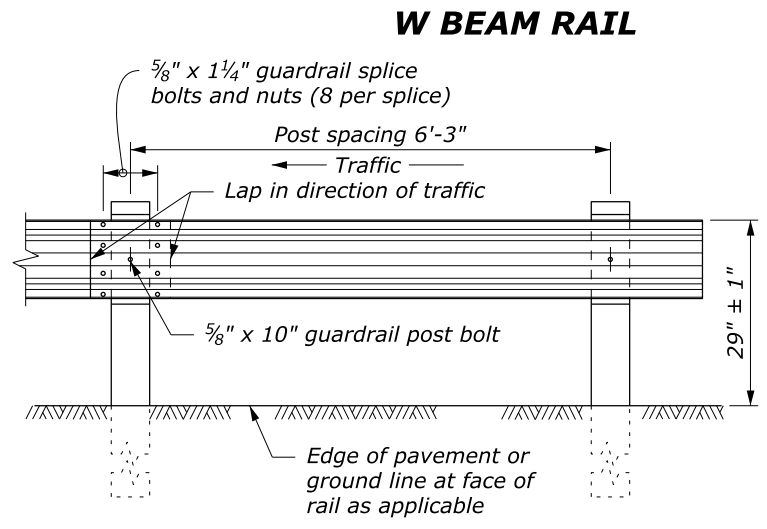
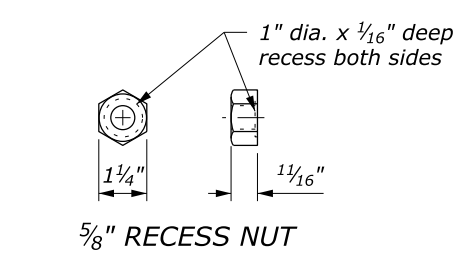


- NOTE:**
- When encountering impenetrable material, see Standards 617-13 or 617-24.
 - See Special Contract Requirements when 7 foot or longer posts are specified.
 - See Special Contract Requirements when the alternative hole arrangement is specified.
 - Install delineator every fourth post. Fasten delineator to post using two galvanized 2" x 3/8" bolts with a washer on both sides, a lock washer, and nut; or fasten as specified by the manufacturer.
 - Modified block may be wood, plastic, or composite material. Use consistent material throughout the length of guardrail run.
 - Dimensional tolerances not shown or implied are intended to be those consistent with the proper functioning of the part, including its appearance, and accepted manufacturing practices.



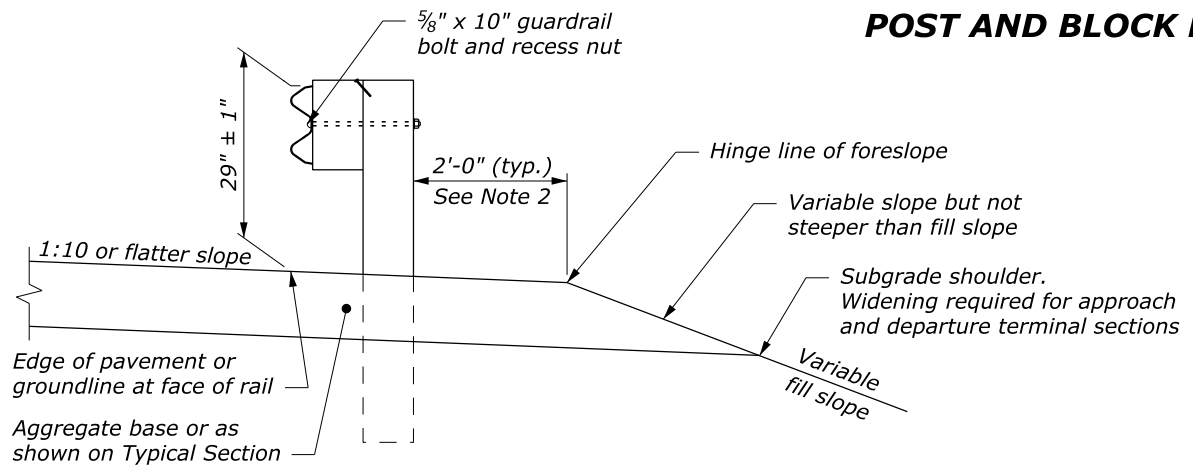
L	Thread Length
1 1/4"	1 1/8" minimum
2"	1 3/4" minimum
10"	4" minimum
18"	4" minimum
25"	4" minimum



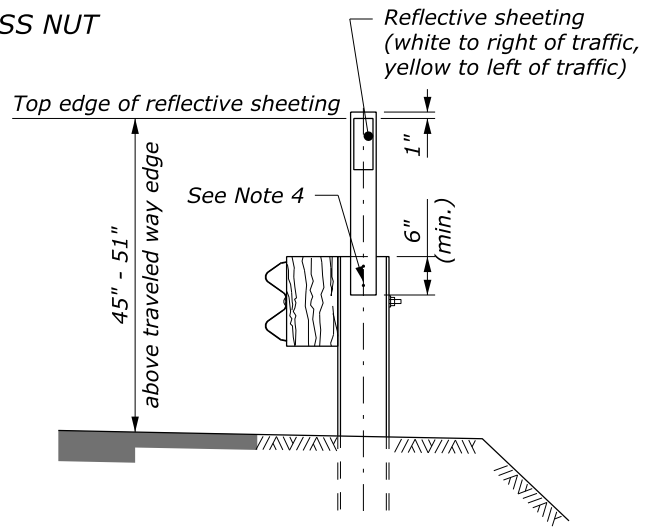
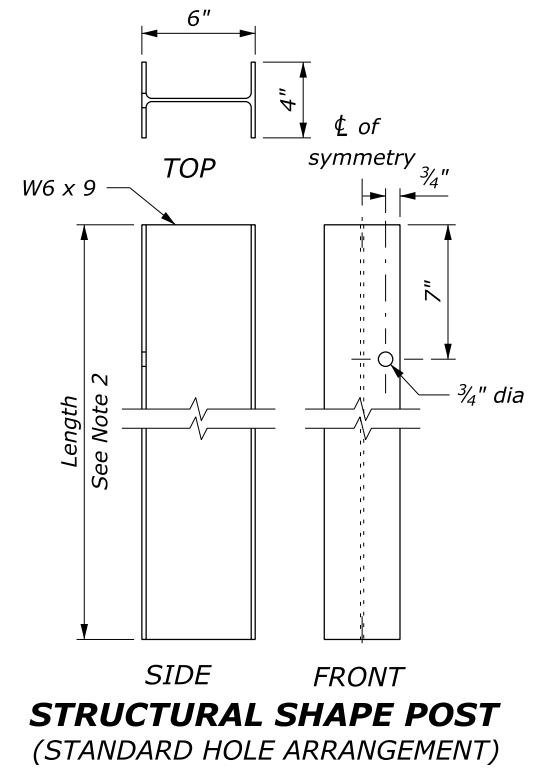
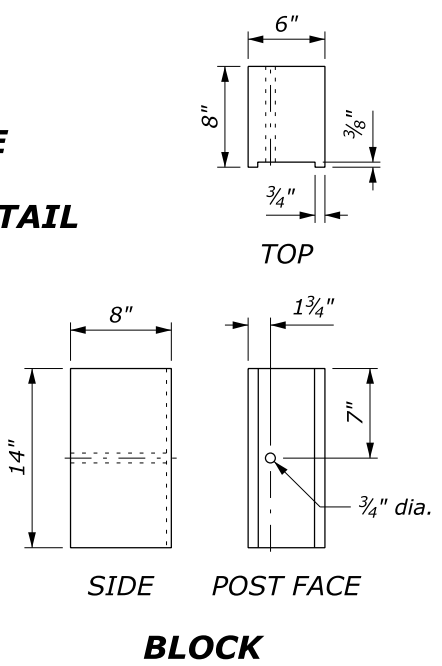
GUARDRAIL BOLT AND RECESS NUT

POST SPACING STANDARD POST SECTION

ALTERNATE HOLE ARRANGEMENT POST AND BLOCK DETAIL



TYPICAL GUARDRAIL CROSS SECTION



FLEXIBLE GUIDE POST GUARDRAIL MOUNT

U.S. DEPARTMENT OF TRANSPORTATION
FEDERAL HIGHWAY ADMINISTRATION
FEDERAL LANDS HIGHWAY

U.S. CUSTOMARY STANDARD

G4 W-BEAM GUARDRAIL STEEL POSTS

STANDARD APPROVED FOR USE 1/1994

REVISD: 4/1994 6/2005
DRAFT: 9/2017

STANDARD 617-11

NO SCALE

8 September 2017 5:21 PM c:\myfiles\pw_production\dms67487\std617-11.dgn [USC]