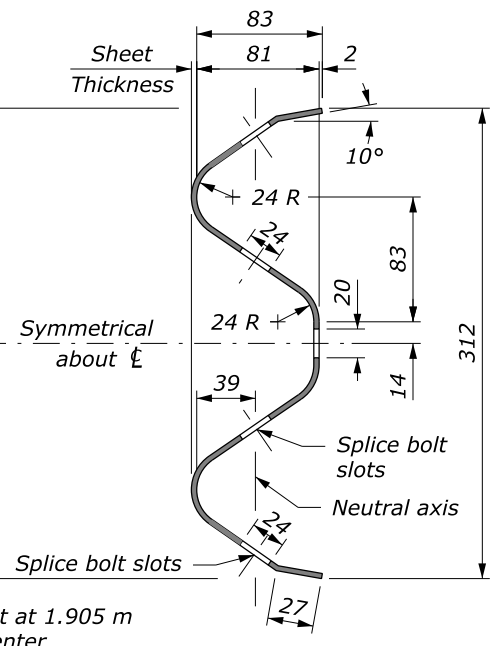
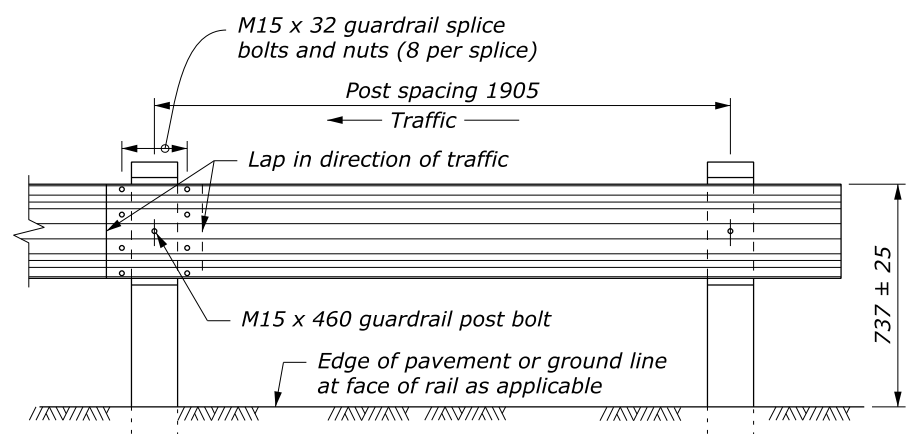


RAIL ELEVATION

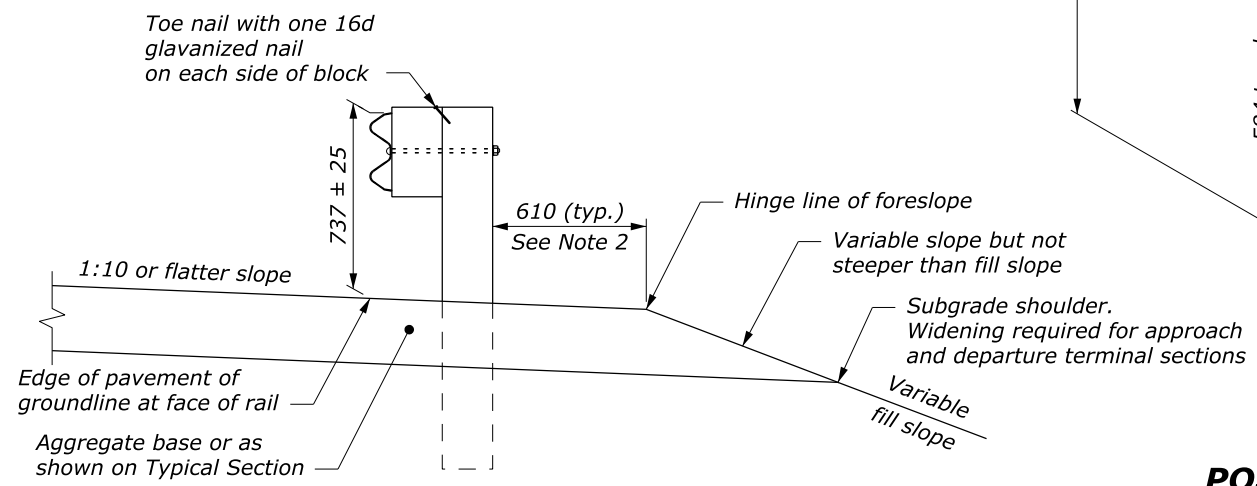


SECTION A-A

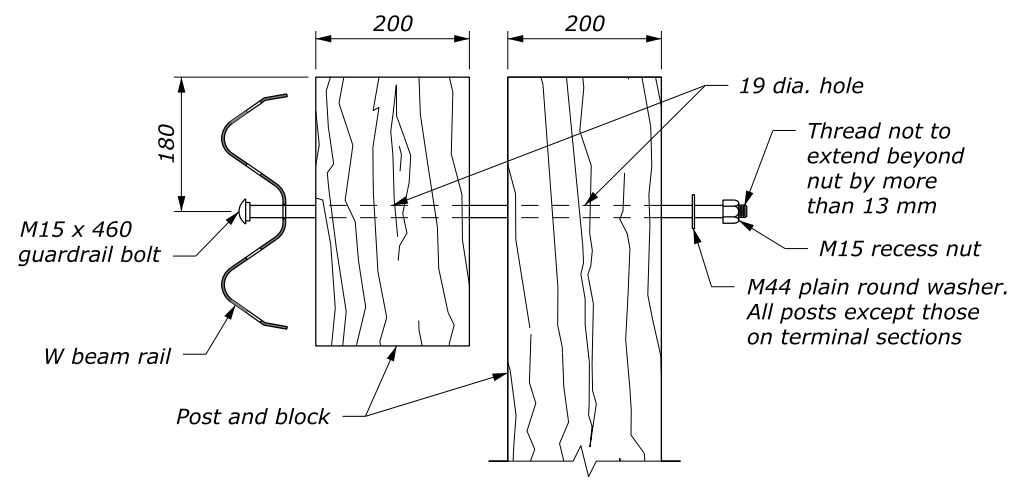
W BEAM RAIL



POST SPACING STANDARD POST SECTION

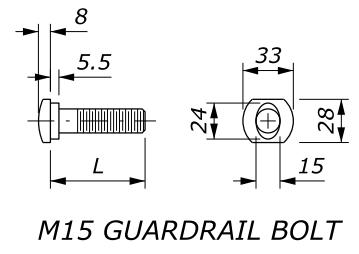


TYPICAL GUARDRAIL CROSS SECTION

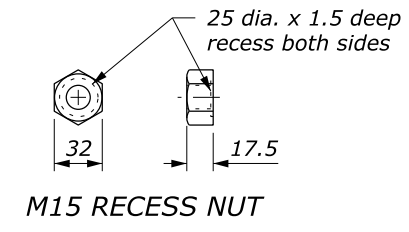


POST BOLT ASSEMBLY

L	Thread Length
32	30 minimum
50	45 minimum
255	100 minimum
460	100 minimum
640	100 minimum

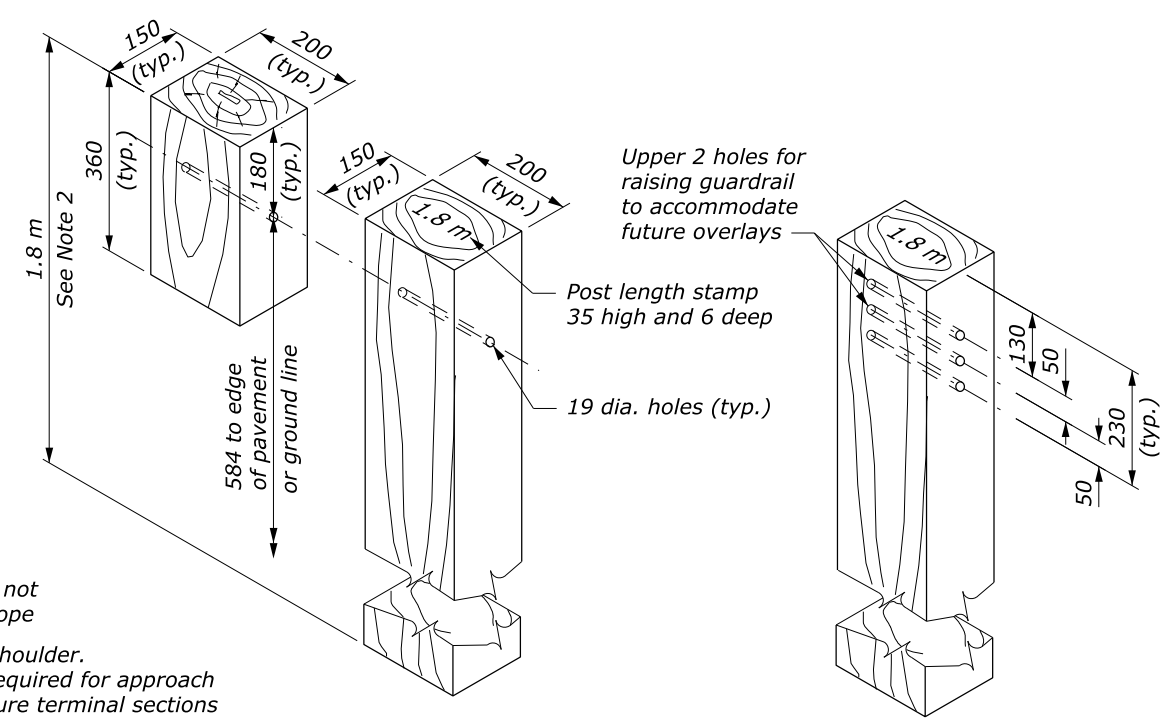


M15 GUARDRAIL BOLT



M15 RECESS NUT

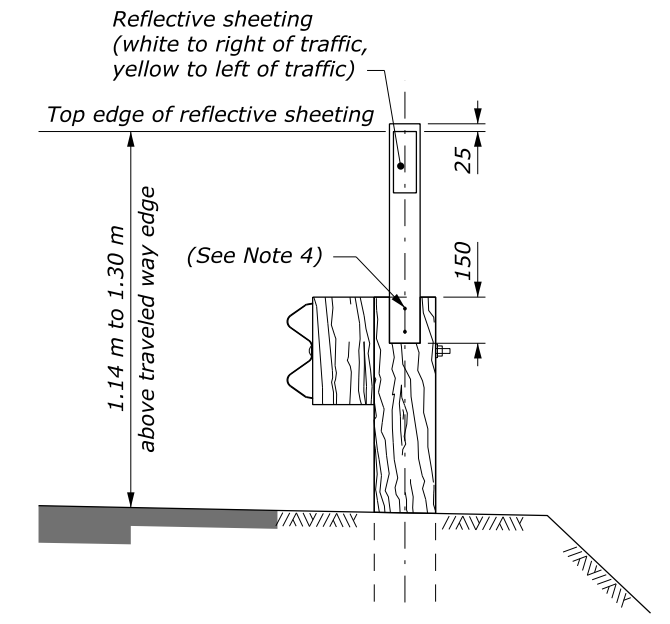
GUARDRAIL BOLT AND RECESS NUT



STANDARD HOLE ARRANGEMENT POST AND BLOCK DETAIL

ALTERNATE HOLE ARRANGEMENT POST AND BLOCK DETAIL

- NOTE:**
- When encountering impenetrable material, see Standards M617-13 or M617-24.
 - See Special Contract Requirements when 2 m or longer posts are specified.
 - See Special Contract Requirements when the alternative hole arrangement is specified.
 - Install delineator every fourth post. Fasten delineator to post using two 50 mm x 10 mm lag screws with washers, along centerline of post; or fasten as specified by the manufacturer.
 - Dimensional tolerances not shown or implied are intended to be those consistent with the proper functioning of the part, including its appearance, and accepted manufacturing practices.
 - Furnish hardware in the metric sizes shown. Equivalent US Customary sizes may be used when metric sizes are unavailable.
 - Dimensions without units are millimeters.



FLEXIBLE GUIDE POST GUARDRAIL MOUNT

U.S. DEPARTMENT OF TRANSPORTATION
FEDERAL HIGHWAY ADMINISTRATION
FEDERAL LANDS HIGHWAY

METRIC STANDARD

**G4 W-BEAM GUARDRAIL
WOOD POSTS**

STANDARD APPROVED FOR USE 3/1996
REVISED: 8/1997 6/2005
DRAFT: 9/2017

STANDARD
M617-10

NO SCALE