

RETROFIT OF SPLIT BRIDGE COLUMNS

Supporting Appendices

WA-RD 482.2

October 2001



**Washington State
Department of Transportation**

Washington State Transportation Commission
Planning and Capital Program Management
in cooperation with:
U.S. DOT - Federal Highway Administration

Research Report – Supporting Appendices

Research Project 9902-26
Split Columns

RETROFIT OF SPLIT BRIDGE COLUMNS

APPENDICES

RETROFIT DESIGN CALCULATIONS

by

David I. McLean Moein H. El-Aarag Paul D. Rogness
Professor Graduate Student Graduate Student

Washington State Transportation Center (TRAC)
Department of Civil and Environmental Engineering
Washington State University
Pullman, Washington 99164-2910

Washington State Department of Transportation
Technical Monitor
Hongzhi Zhang
Bridge and Structures Branch Engineer

Prepared for

Washington State Transportation Commission
Department of Transportation
and in cooperation with
U.S. Department of Transportation
Federal Highway Administration

October, 2001

APPENDIX A

FYFE COMPANY RETROFIT DESIGN CALCULATIONS

WSU COLUMN RETROFIT

Equations utilized in following spreadsheet:

Effective column height based on provided moment values and corresponding diagrams.
 Plastic hinge length=(0.8)(Effective column height)+0.15(60ksi)(bar diameter).

Ideal yield curvature is taken from the moment-curvature analysis.

Yield displacement=(ideal yield curvature)*(effective column height)*2/3.

Neutral axis depth is taken from the moment-curvature analysis.

Mu is taken from the moment-curvature analysis.

Required ultimate curvature =(curvature ductility)/(ideal yield curvature).

Required ultimate compressive strain=(required ultimate curvature)/(neutral axis depth)

Required volumetric ratio=0.8(required ultimate compressive strain-0.004)/(1.5f'c)/(tu*eu)

fu=ultimate composite stress=60ksi

eu=ultimate composite strain=0.02

Required jacket thickness=0.5(required volumetric ratio)/((depth*width)/(depth*width))

Required number of layers for required curvature=required thickness/0.051

Max. Shear is from a 50% overstrength value.

IN-PHASE TRANSVERSE LOADING																				
width (in.)	depth (in.)	f'c (ksi)	bar dia. (in.)	height (in.)	eff. ht. (in.)	hinge length (in.)	ductility req.	curv duct.	ideal yield curv.	yield displ. (in.)	N/A (in.)	Mu (kip- in.)	req. ult. curv.	req. ult. strain	req. comp ratio	req. jckt. thick (in.)	req. # of layers	max. shear (kip)	req. thick (in.)	# lrs for shear
7	13	5	0.375	96	96	10.155	8	24.29	2.38E-04	7.31E-01	1.2	426.6	0.0058	0.0069	0.0136	0.0308	0.60	6.6656	0.01494	0.29
16	13	5	0.375	96	96	10.155	6	17.636	2.40E-04	7.37E-01	0.8	558.6	0.0042	0.0034	-0.0028	-0.0102	-0.20	8.7281	0.019563	0.38

OUT OF PHASE LOADING																				
width (in.)	depth (in.)	f'c (ksi)	bar dia. (in.)	height (in.)	eff. ht. (in.)	hinge length (in.)	ductility req.	curv duct.	ideal yield curv.	yield displ. (in.)	N/A (in.)	Mu (kip- in.)	req. ult. curv.	req. ult. strain	req. comp ratio	req. jckt. thick (in.)	req. # of layers	max. shear (kip)	req. thick (in.)	# lrs for shear
13	7	5	0.375	60	60	7.275	9	15.633	4.26E-04	5.11E-01	0.7	156.6	0.0067	0.0047	0.0031	0.0069	0.14	3.915	0.016296	0.32

REFERENCES: 1 ICBO Acceptance Criteria for Concrete Strengthening Using Fiber-Reinforced Composite Systems, AC125, April 1997, Sect. 7.3.2.4.

2 Priestley, M J N, Seible, F., Calvi, G M., Seismic Design and Retrofit of Bridges, John Wiley & Sons, Inc., New York, 1996, pp 566-623.

3 Priestley, M J N, Seible, F., Seismic Retrofit of Bridge Columns Using High Strength Fiber-glass/Epoxy Jackets -Design Recommendations, Department of Applied Mechanics and Engineering Sciences, University of California San Diego, 1994

OUT - OF - PHASE

SECTION PROPERTIES:

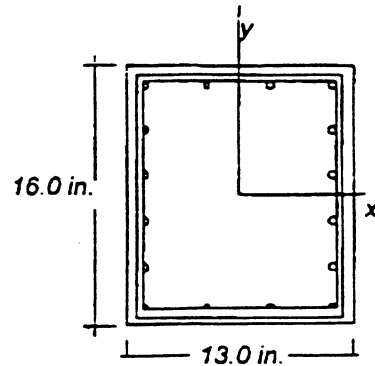
Section Depth = 16.0 in.
Section Width = 13.0 in.
Cover to Main Steel = 0.7 in.

Concrete Strength = 5.00 ksi
Concrete Model = Mander

Steel Strength = 40.0 ksi
Young's Modulus = 29000.0 ksi
Steel Model = Mild Strength Steel

Tension Side Reinforcement = 4 Bars (#3 Bars)
Compression Side Reinforcement = 4 Bars (#3 Bars)
Side Reinforcement = 4 Bars (#3 Bars) each side

Hoop Size	= #3 Bars	Average Number of Legs	= 2.0
Hoop Spacing	= 12.0 in.	Hoop Strength	= 40.0 ksi



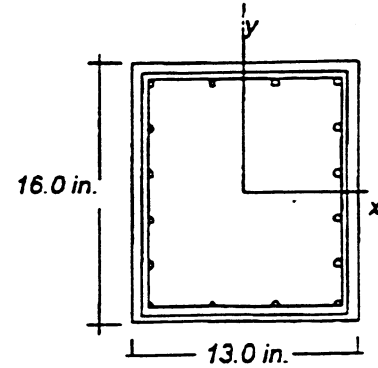
SECTION ANALYSIS RESULTS:

Applied Axial Load = 0.0 Kips
Moment Capacity = 56.4 Kips ft (677.4 Kips in.)

Section N.A. Depth = 1.0 in.
Section Curvature = 3.95e-03 1/in.
Maximum Concrete Strain = 4.0000e-03
Extreme Steel Strain = 5.5818e-02

SECTION PROPERTIES:

Section Depth = 16.0 in.
 Section Width = 13.0 in.
 Cover to Main Steel = 0.7 in.
 Concrete Strength = 5.00 ksi
 Concrete Model = Mander
 Steel Strength = 40.0 ksi
 Young's Modulus = 29000.0 ksi
 Steel Model = Mild Strength Steel
 Tension Side Reinforcement = 4 Bars (#3 Bars)
 Compression Side Reinforcement = 4 Bars (#3 Bars)
 Side Reinforcement = 4 Bars (#3 Bars) each side
 Hoop Size = #3 Bars Average Number of Legs = 2.0
 Hoop Spacing = 12.0 in. Hoop Strength = 40.0 ksi

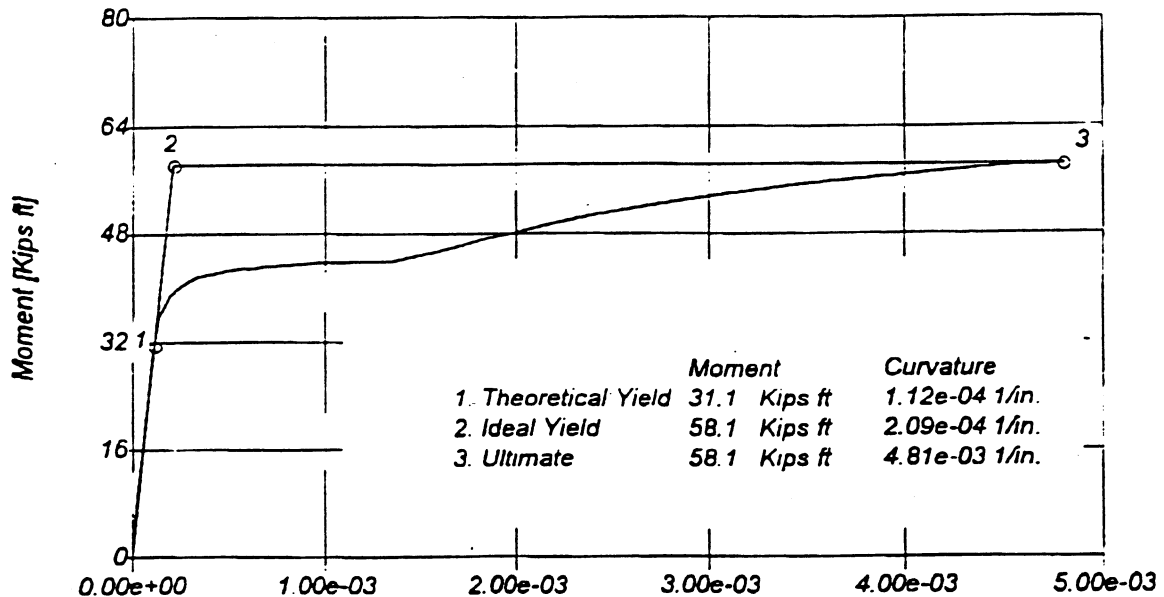


MOMENT CURVATURE ANALYSIS RESULTS:

The Ideal Moment Capacity is based on the concrete strain of 0.005.

Applied Axial Load = 0.0 Kips
 Eleff = 2.32e+04 Kips sq.ft
 Curvature Ductility = 23.1 1/in.

Moment Curvature Plot



Conc. Strain	N.A. Depth	Steel Strain	Moment Cap.	Curvature	
0.0001	3.1 in.	-0.00040	9.6 Kips ft	3.27e-05 1/in.	
0.0002	3.1 in.	-0.00080	19.2 Kips ft	6.55e-05 1/in.	
0.0003	3.1 in.	-0.00120	28.7 Kips ft	9.81e-05 1/in.	
0.0004	2.9 in.	-0.00171	35.7 Kips ft	1.38e-04 1/in.	Yield
0.0005	2.6 in.	-0.00244	38.6 Kips ft	1.92e-04 1/in.	
0.0006	2.3 in.	-0.00333	40.3 Kips ft	2.57e-04 1/in.	
0.0007	2.1 in.	-0.00439	41.3 Kips ft	3.32e-04 1/in.	
0.0008	1.9 in.	-0.00559	42.0 Kips ft	4.17e-04 1/in.	
0.0009	1.8 in.	-0.00693	42.4 Kips ft	5.11e-04 1/in.	
0.0010	1.6 in.	-0.00839	42.8 Kips ft	6.13e-04 1/in.	
0.0011	1.5 in.	-0.00998	43.0 Kips ft	7.22e-04 1/in.	
0.0012	1.4 in.	-0.01165	43.2 Kips ft	8.38e-04 1/in.	
0.0013	1.4 in.	-0.01341	43.4 Kips ft	9.60e-04 1/in.	
0.0014	1.3 in.	-0.01523	43.5 Kips ft	1.08e-03 1/in.	
0.0015	1.2 in.	-0.01713	43.6 Kips ft	1.22e-03 1/in.	
0.0016	1.2 in.	-0.01906	43.7 Kips ft	1.35e-03 1/in.	
0.0017	1.2 in.	-0.02082	44.4 Kips ft	1.47e-03 1/in.	
0.0018	1.1 in.	-0.02251	45.2 Kips ft	1.59e-03 1/in.	
0.0019	1.1 in.	-0.02422	46.1 Kips ft	1.70e-03 1/in.	
0.0020	1.1 in.	-0.02592	46.9 Kips ft	1.82e-03 1/in.	
0.0025	1.0 in.	-0.03415	50.4 Kips ft	2.39e-03 1/in.	
0.0030	1.0 in.	-0.04191	53.0 Kips ft	2.93e-03 1/in.	
0.0035	1.0 in.	-0.04934	54.9 Kips ft	3.45e-03 1/in.	
0.0040	1.0 in.	-0.05656	56.4 Kips ft	3.95e-03 1/in.	
0.0045	1.0 in.	-0.06328	57.5 Kips ft	4.42e-03 1/in.	
0.0050	1.0 in.	-0.06874	58.1 Kips ft	4.81e-03 1/in.	

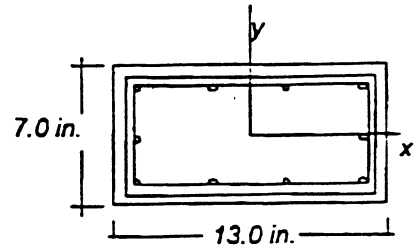
Ultimate concrete strain was exceeded.

SECTION PROPERTIES:

Section Depth = 7.0 in.
Section Width = 13.0 in.
Cover to Main Steel = 0.7 in.

Concrete Strength = 5.00 ksi
Concrete Model = Mander

Steel Strength = 40.0 ksi
Young's Modulus = 29000.0 ksi
Steel Model = Mild Strength Steel



Tension Side Reinforcement = 4 Bars (#3 Bars)
Compression Side Reinforcement = 4 Bars (#3 Bars)
Side Reinforcement = 1 Bars (#3 Bars) each side

Hoop Size = #3 Bars *Average Number of Legs* = 2.0
Hoop Spacing = 12.0 in. *Hoop Strength* = 40.0 ksi

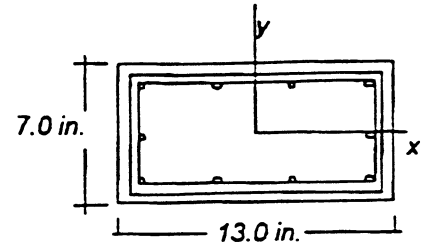
SECTION ANALYSIS RESULTS:

Applied Axial Load = 0.0 Kips
Moment Capacity = 13.0 Kips ft (156.6 Kips in.)

Section N.A. Depth = 0.7 in.
Section Curvature = 5.74e-03 1/in.
Maximum Concrete Strain = 4.0000e-03
Extreme Steel Strain = 3.1231e-02

SECTION PROPERTIES:

Section Depth = 7.0 in.
 Section Width = 13.0 in.
 Cover to Main Steel = 0.7 in.
 Concrete Strength = 5.00 ksi
 Concrete Model = Mander
 Steel Strength = 40.0 ksi
 Young's Modulus = 29000.0 ksi
 Steel Model = Mild Strength Steel
 Tension Side Reinforcement = 4 Bars (#3 Bars)
 Compression Side Reinforcement = 4 Bars (#3 Bars)
 Side Reinforcement = 1 Bars (#3 Bars) each side

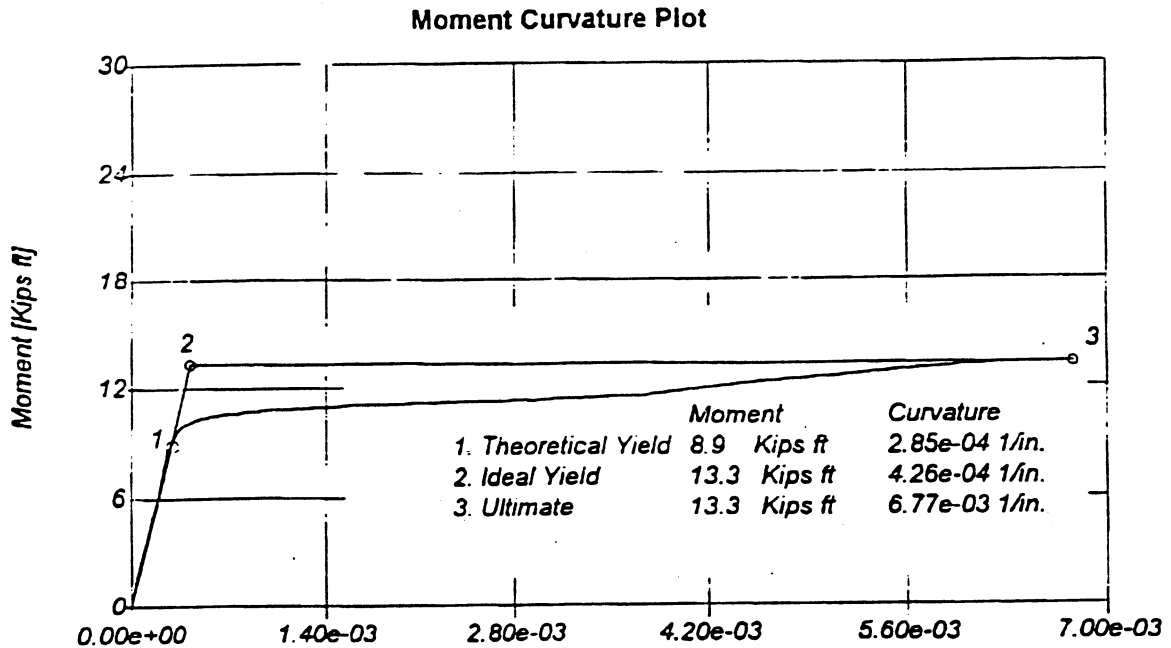


Hoop Size = #3 Bars Average Number of Legs = 2.0
 Hoop Spacing = 12.0 in. Hoop Strength = 40.0 ksi

MOMENT CURVATURE ANALYSIS RESULTS:

The Ideal Moment Capacity is based on the concrete strain of 0.005.

Applied Axial Load = 0.0 Kips
 Eleff = 2.60e+03 Kips sq.ft
 Curvature Ductility = 15.9 1/in.



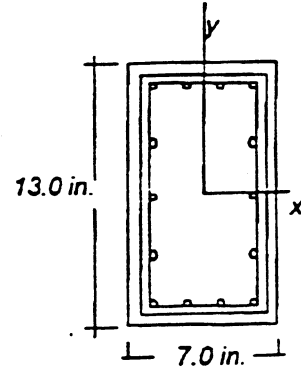
Conc. Strain	N.A. Depth	Steel Strain	Moment Cap.	Curvature	
0.0001	1.5 in.	-0.00031	2.1 Kips ft	6.55e-05 1/in.	
0.0002	1.5 in.	-0.00063	4.3 Kips ft	1.31e-04 1/in.	
0.0003	1.5 in.	-0.00094	6.4 Kips ft	1.96e-04 1/in.	
0.0004	1.5 in.	-0.00125	8.5 Kips ft	2.61e-04 1/in.	
0.0005	1.4 in.	-0.00171	9.9 Kips ft	3.49e-04 1/in.	___ Yield
0.0006	1.3 in.	-0.00238	10.3 Kips ft	4.71e-04 1/in.	
0.0007	1.1 in.	-0.00316	10.5 Kips ft	6.10e-04 1/in.	
0.0008	1.0 in.	-0.00403	10.7 Kips ft	7.63e-04 1/in.	
0.0009	1.0 in.	-0.00497	10.8 Kips ft	9.27e-04 1/in.	
0.0010	0.9 in.	-0.00596	10.9 Kips ft	1.10e-03 1/in.	
0.0011	0.9 in.	-0.00698	11.0 Kips ft	1.28e-03 1/in.	
0.0012	0.8 in.	-0.00803	11.0 Kips ft	1.46e-03 1/in.	
0.0013	0.8 in.	-0.00910	11.1 Kips ft	1.64e-03 1/in.	
0.0014	0.8 in.	-0.01017	11.1 Kips ft	1.83e-03 1/in.	
0.0015	0.7 in.	-0.01125	11.2 Kips ft	2.01e-03 1/in.	
0.0016	0.7 in.	-0.01232	11.2 Kips ft	2.20e-03 1/in.	
0.0017	0.7 in.	-0.01339	11.2 Kips ft	2.38e-03 1/in.	
0.0018	0.7 in.	-0.01444	11.3 Kips ft	2.57e-03 1/in.	
0.0019	0.7 in.	-0.01548	11.3 Kips ft	2.75e-03 1/in.	
0.0020	0.7 in.	-0.01650	11.3 Kips ft	2.92e-03 1/in.	
0.0025	0.7 in.	-0.02120	11.6 Kips ft	3.74e-03 1/in.	
0.0030	0.7 in.	-0.02517	12.3 Kips ft	4.45e-03 1/in.	
0.0035	0.7 in.	-0.02885	12.7 Kips ft	5.11e-03 1/in.	
0.0040	0.7 in.	-0.03231	13.0 Kips ft	5.74e-03 1/in.	
0.0045	0.7 in.	-0.03562	13.3 Kips ft	6.34e-03 1/in.	
0.0050	0.7 in.	-0.03785	13.3 Kips ft	6.77e-03 1/in.	

Ultimate concrete strain was exceeded.

TRANSVERSE

SECTION PROPERTIES:

Section Depth	= 13.0 in.		
Section Width	= 7.0 in.		
Cover to Main Steel	= 0.7 in.		
Concrete Strength	= 5.00 ksi		
Concrete Model	= Mander		
Steel Strength	= 40.0 ksi		
Young's Modulus	= 29000.0 ksi		
Steel Model	= Mild Strength Steel		
Tension Side Reinforcement	= 4 Bars (#3 Bars)		
Compression Side Reinforcement	= 4 Bars (#3 Bars)		
Side Reinforcement	= 3 Bars (#3 Bars) each side		
Hoop Size	= #3 Bars	Average Number of Legs	= 2.0
Hoop Spacing	= 12.0 in.	Hoop Strength	= 40.0 ksi



SECTION ANALYSIS RESULTS:

Applied Axial Load	= 0.0 Kips
Moment Capacity	= 35.5 Kips ft (426.6 Kips in.)
Section N.A. Depth	= 1.2 in.
Section Curvature	= 3.37e-03 1/in.
Maximum Concrete Strain	= 4.0000e-03
Extreme Steel Strain	= 3.6907e-02

SECTION PROPERTIES:

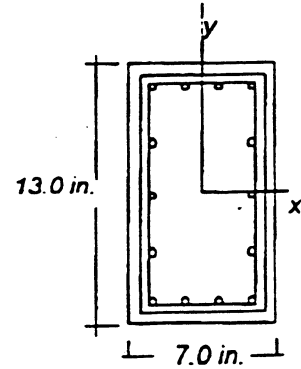
Section Depth = 13.0 in.
 Section Width = 7.0 in.
 Cover to Main Steel = 0.7 in.

Concrete Strength = 5.00 ksi
 Concrete Model = Mander

Steel Strength = 40.0 ksi
 Young's Modulus = 29000.0 ksi
 Steel Model = Mild Strength Steel

Tension Side Reinforcement = 4 Bars (#3 Bars)
 Compression Side Reinforcement = 4 Bars (#3 Bars)
 Side Reinforcement = 3 Bars (#3 Bars) each side

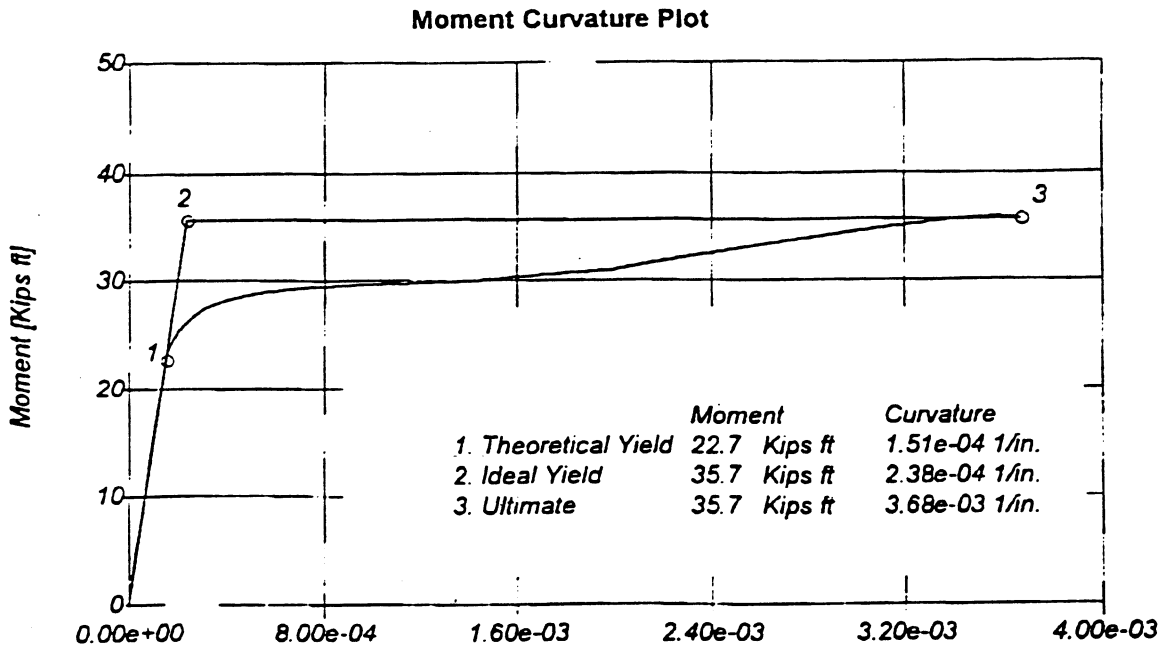
Hoop Size = #3 Bars Average Number of Legs = 2.0
 Hoop Spacing = 12.0 in. Hoop Strength = 40.0 ksi



MOMENT CURVATURE ANALYSIS RESULTS:

The Ideal Moment Capacity is based on the concrete strain of 0.005.

Applied Axial Load = 0.0 Kips
 Eleff = 1.25e+04 Kips sq. ft
 Curvature Ductility = 15.5 1/in.



Conc. Strain	N.A. Depth	Steel Strain	Moment Cap.	Curvature	
0.0001	3.2 in.	-0.00028	4.8 Kips ft	3.12e-05 1/in.	
0.0002	3.2 in.	-0.00057	9.5 Kips ft	6.24e-05 1/in.	
0.0003	3.2 in.	-0.00085	14.3 Kips ft	9.36e-05 1/in.	
0.0004	3.2 in.	-0.00114	19.0 Kips ft	1.25e-04 1/in.	
0.0005	3.2 in.	-0.00143	23.5 Kips ft	1.57e-04 1/in.	— Yield
0.0006	2.9 in.	-0.00191	25.5 Kips ft	2.04e-04 1/in.	
0.0007	2.7 in.	-0.00249	26.7 Kips ft	2.58e-04 1/in.	
0.0008	2.5 in.	-0.00315	27.6 Kips ft	3.20e-04 1/in.	
0.0009	2.3 in.	-0.00390	28.2 Kips ft	3.89e-04 1/in.	
0.0010	2.2 in.	-0.00473	28.6 Kips ft	4.65e-04 1/in.	
0.0011	2.0 in.	-0.00564	29.0 Kips ft	5.46e-04 1/in.	
0.0012	1.9 in.	-0.00661	29.2 Kips ft	6.33e-04 1/in.	
0.0013	1.8 in.	-0.00763	29.4 Kips ft	7.24e-04 1/in.	
0.0014	1.7 in.	-0.00871	29.6 Kips ft	8.20e-04 1/in.	
0.0015	1.6 in.	-0.00984	29.7 Kips ft	9.20e-04 1/in.	
0.0016	1.6 in.	-0.01101	29.8 Kips ft	1.02e-03 1/in.	
0.0017	1.5 in.	-0.01219	29.9 Kips ft	1.13e-03 1/in.	
0.0018	1.5 in.	-0.01343	29.9 Kips ft	1.24e-03 1/in.	
0.0019	1.4 in.	-0.01467	30.0 Kips ft	1.34e-03 1/in.	
0.0020	1.4 in.	-0.01592	30.0 Kips ft	1.45e-03 1/in.	
0.0025	1.3 in.	-0.02197	31.0 Kips ft	1.98e-03 1/in.	
0.0030	1.2 in.	-0.02734	32.8 Kips ft	2.46e-03 1/in.	
0.0035	1.2 in.	-0.03266	34.4 Kips ft	2.93e-03 1/in.	
0.0040	1.2 in.	-0.03754	35.5 Kips ft	3.37e-03 1/in.	
0.0045	1.3 in.	-0.03981	35.9 Kips ft	3.59e-03 1/in.	
0.0050	1.4 in.	-0.04041	35.7 Kips ft	3.68e-03 1/in.	

Ultimate concrete strain was exceeded.

SECTION PROPERTIES:

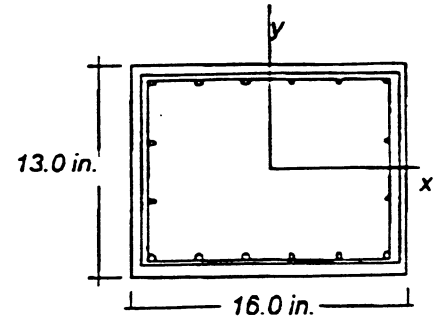
Section Depth = 13.0 in.
 Section Width = 16.0 in.
 Cover to Main Steel = 0.7 in.

Concrete Strength = 5.00 ksi
 Concrete Model = Mander

Steel Strength = 40.0 ksi
 Young's Modulus = 29000.0 ksi
 Steel Model = Mild Strength Steel

Tension Side Reinforcement = 6 Bars (#3 Bars)
 Compression Side Reinforcement = 6 Bars (#3 Bars)
 Side Reinforcement = 2 Bars (#3 Bars) each side

Hoop Size = #3 Bars Average Number of Legs = 2.0
 Hoop Spacing = 12.0 in. Hoop Strength = 40.0 ksi



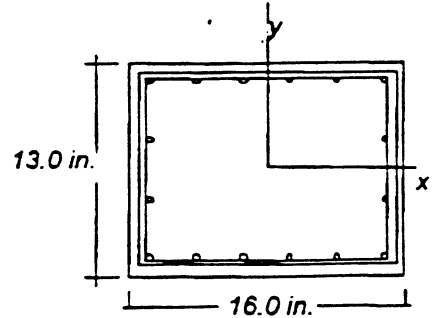
SECTION ANALYSIS RESULTS:

Applied Axial Load = 0.0 Kips
 Moment Capacity = 46.6 Kips ft (558.6 Kips in.)

Section N. A. Depth = 0.8 in.
 Section Curvature = 4.86e-03 1/in.
 Maximum Concrete Strain = 4.0000e-03
 Extreme Steel Strain = 5.4985e-02

SECTION PROPERTIES:

Section Depth = 13.0 in.
 Section Width = 16.0 in.
 Cover to Main Steel = 0.7 in.
 Concrete Strength = 5.00 ksi
 Concrete Model = Mander
 Steel Strength = 40.0 ksi
 Young's Modulus = 29000.0 ksi
 Steel Model = Mild Strength Steel
 Tension Side Reinforcement = 6 Bars (#3 Bars)
 Compression Side Reinforcement = 6 Bars (#3 Bars)
 Side Reinforcement = 2 Bars (#3 Bars) each side
 Hoop Size = #3 Bars Average Number of Legs = 2.0
 Hoop Spacing = 12.0 in. Hoop Strength = 40.0 ksi

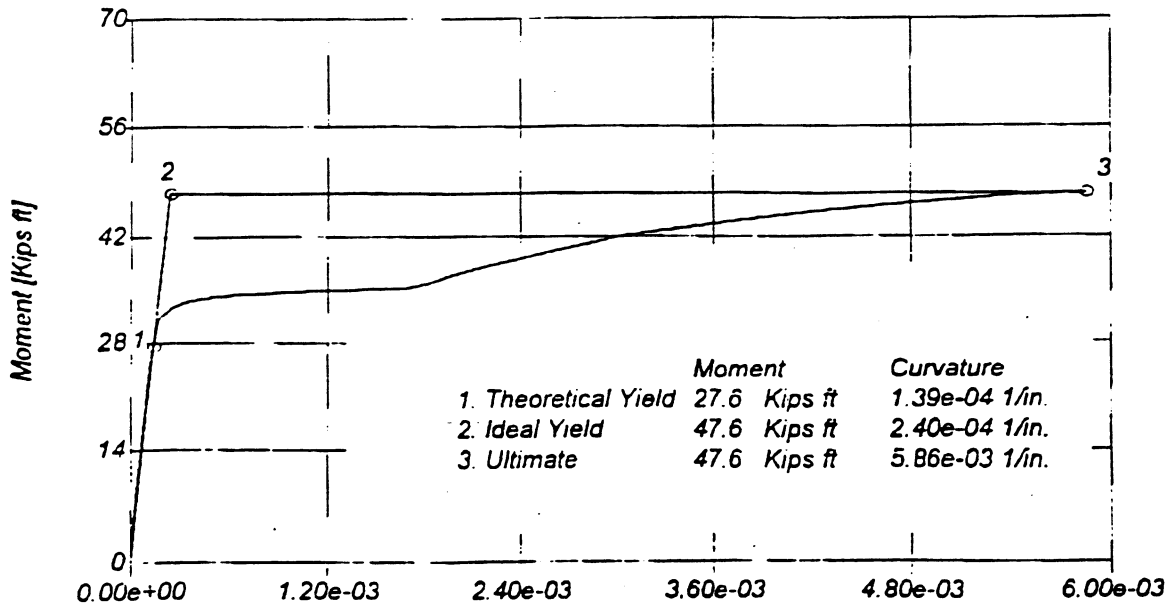


MOMENT CURVATURE ANALYSIS RESULTS:

The Ideal Moment Capacity is based on the concrete strain of 0.005.

Applied Axial Load = 0.0 Kips
 Eleff = 1.65e+04 Kips sq.ft
 Curvature Ductility = 24.4 1/in.

Moment Curvature Plot

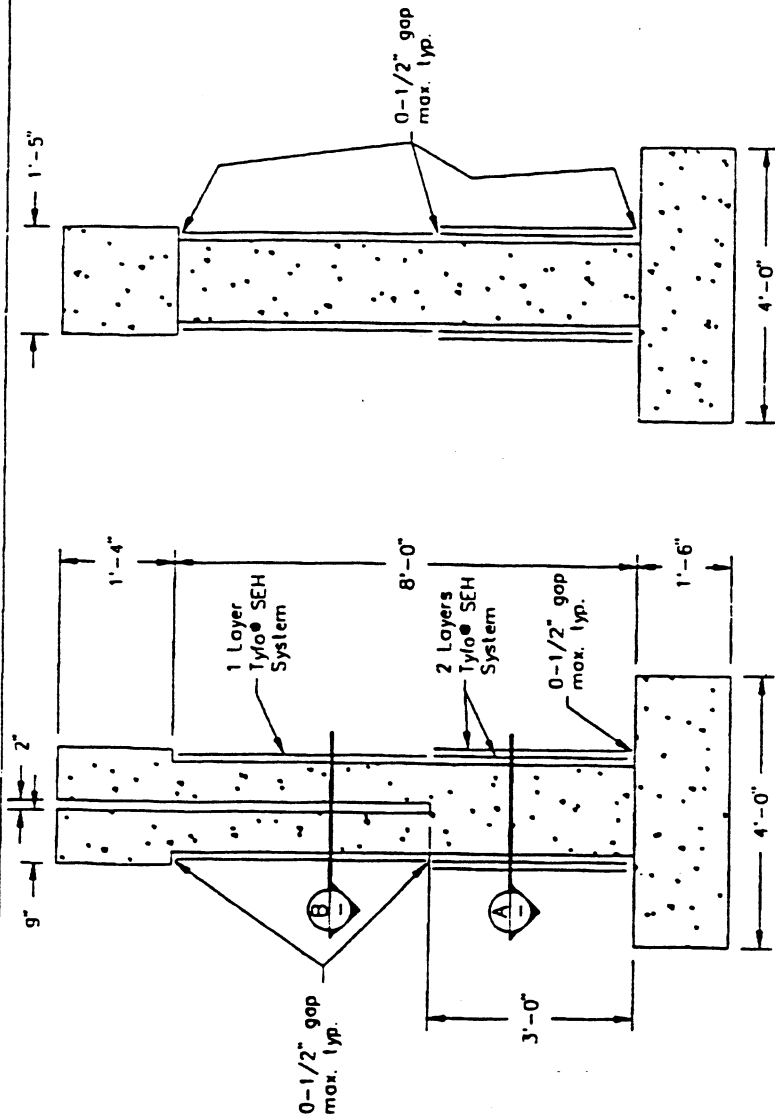


Conc. Strain	N.A. Depth	Steel Strain	Moment Cap.	Curvature	Yield
0.0001	2.5 in.	-0.00040	8.6 Kips ft	4.02e-05 1/in.	
0.0002	2.5 in.	-0.00079	17.1 Kips ft	8.04e-05 1/in.	
0.0003	2.5 in.	-0.00119	25.6 Kips ft	1.20e-04 1/in.	
0.0004	2.3 in.	-0.00174	31.3 Kips ft	1.74e-04 1/in.	
0.0005	2.0 in.	-0.00263	32.8 Kips ft	2.54e-04 1/in.	
0.0006	1.7 in.	-0.00372	33.6 Kips ft	3.51e-04 1/in.	
0.0007	1.5 in.	-0.00500	34.0 Kips ft	4.62e-04 1/in.	
0.0008	1.4 in.	-0.00643	34.4 Kips ft	5.87e-04 1/in.	
0.0009	1.2 in.	-0.00801	34.6 Kips ft	7.23e-04 1/in.	
0.0010	1.2 in.	-0.00970	34.7 Kips ft	8.68e-04 1/in.	
0.0011	1.1 in.	-0.01149	34.8 Kips ft	1.02e-03 1/in.	
0.0012	1.0 in.	-0.01333	34.9 Kips ft	1.18e-03 1/in.	
0.0013	1.0 in.	-0.01523	35.0 Kips ft	1.34e-03 1/in.	
0.0014	0.9 in.	-0.01715	35.1 Kips ft	1.50e-03 1/in.	
0.0015	0.9 in.	-0.01908	35.2 Kips ft	1.67e-03 1/in.	
0.0016	0.9 in.	-0.02079	35.9 Kips ft	1.82e-03 1/in.	
0.0017	0.9 in.	-0.02242	36.8 Kips ft	1.96e-03 1/in.	
0.0018	0.9 in.	-0.02404	37.6 Kips ft	2.10e-03 1/in.	
0.0019	0.9 in.	-0.02564	38.4 Kips ft	2.23e-03 1/in.	
0.0020	0.8 in.	-0.02722	39.1 Kips ft	2.37e-03 1/in.	
0.0025	0.8 in.	-0.03489	42.0 Kips ft	3.03e-03 1/in.	
0.0030	0.8 in.	-0.04220	44.0 Kips ft	3.67e-03 1/in.	
0.0035	0.8 in.	-0.04917	45.5 Kips ft	4.27e-03 1/in.	
0.0040	0.8 in.	-0.05590	46.6 Kips ft	4.86e-03 1/in.	
0.0045	0.8 in.	-0.06227	47.3 Kips ft	5.42e-03 1/in.	
0.0050	0.9 in.	-0.06721	47.6 Kips ft	5.86e-03 1/in.	

Ultimate concrete strain was exceeded.

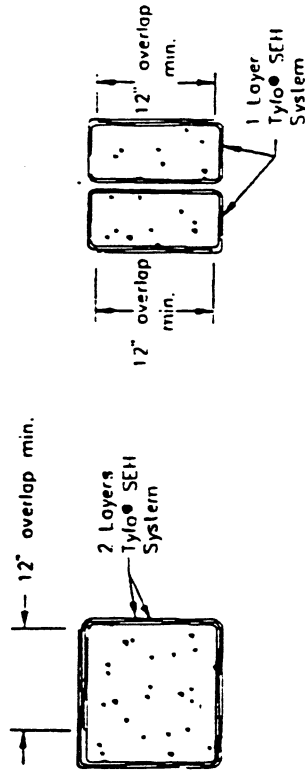
General Notes:

1. Ensure a 3/4" min. radius at column edges.
2. Broom-clean column surfaces.
3. Apply primecoat Tyfo® WS Epoxy.
4. Apply specified layers of Tyfo® SEH System.



Column Side View - Elevation
Not to Scale

Column Split View - Elevation
Not to Scale



A Section
Not to Scale

B Section
Not to Scale

**WSDOT Research Project
Column Design
Out-of-Plane Loading**

FYFE CO. LLC	
6044 Cambridge Ct. West, Suite C, San Diego, CA 92121-4730	
TEL: 619-642-0694 FAX: 619-642-0947	
Dwg No: 404-1	Job No: 796RD
Date: 10/8/98	Drawn by: E. Morrison
Scale: N.T.S.	App'd by: P.B. Mulligan
Acad File No: FC\298ND\404-1	Sheet 1 of 2

APPENDIX B

SUMITOMO RETROFIT DESIGN CALCULATIONS

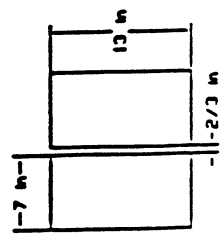


Project _____ Sheet 1 of _____

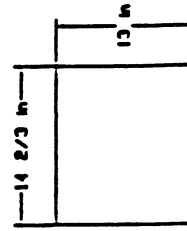
Job Number _____
Subject _____ Designer _____

Date _____

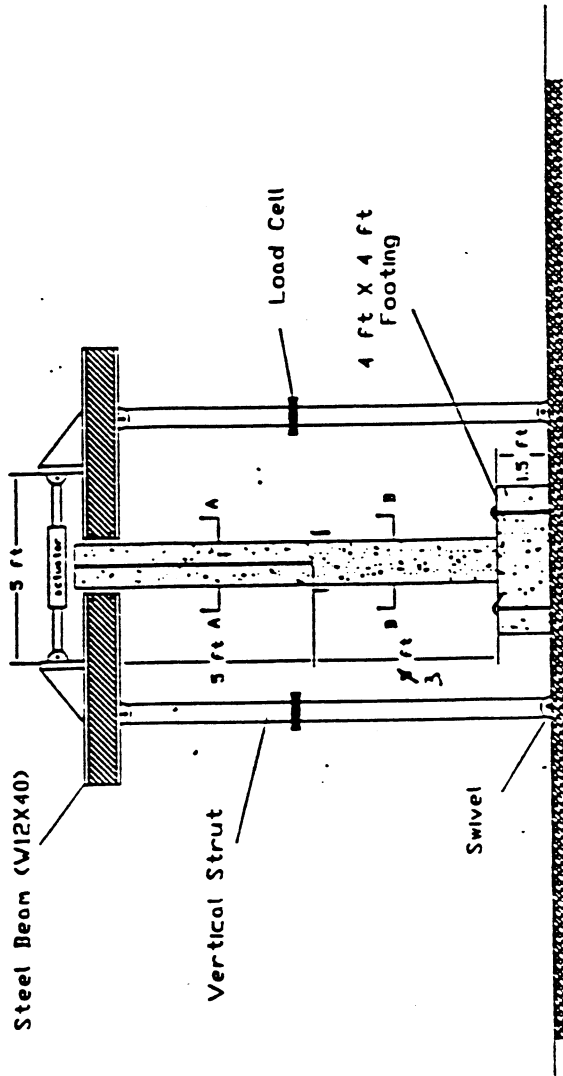
'OUT-OF-PHASE'
SPECIMEN DETAILS
& TEST SETUP



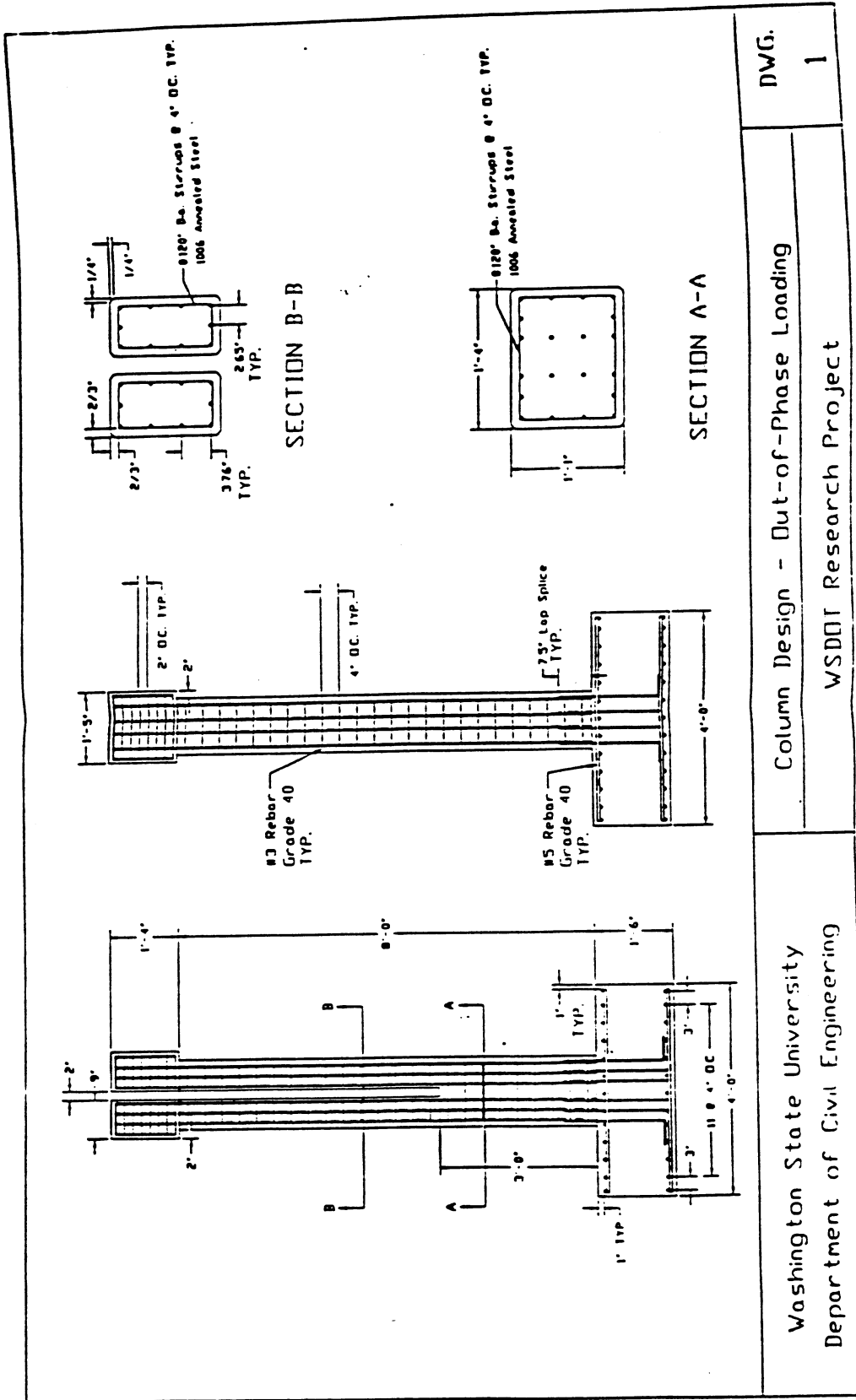
Section A-A



Section B-B



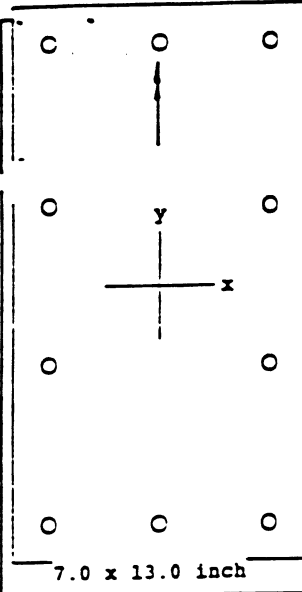
Test setup for out-of-phase Loading



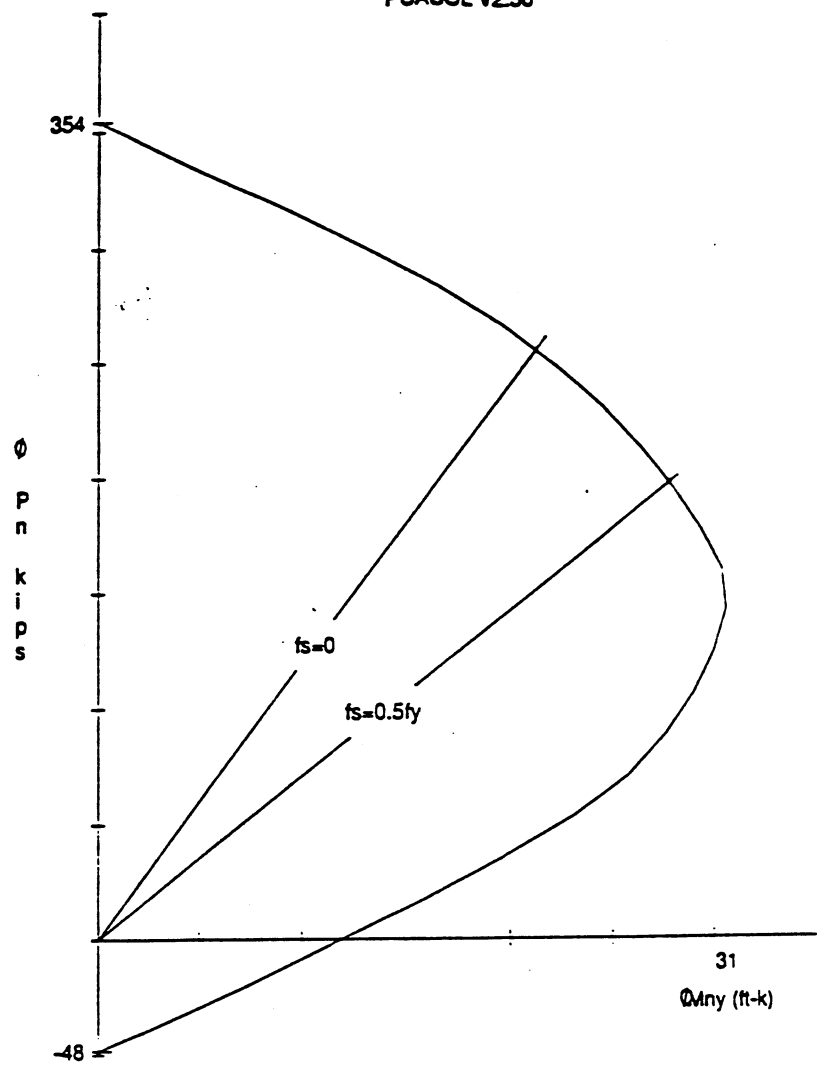
Washington State University
 Department of Civil Engineering

Column Design - Out-of-Phase Loading
 WSDOT Research Project

DWG.
 1



$f'_c = 4.0 \text{ ksi}$
 $f_y = 44.0 \text{ ksi}$
 Confinement: Other
 clr cover = 0.67 in
 spacing = 2.27 in
 10-#3 at 1.21%
 = 1 in²
 $I_x = 1282 \text{ in}^4$
 $I_y = 372 \text{ in}^4$
 $X_o = 0.00 \text{ in}$
 $Y_o = 0.00 \text{ in}$



© 1993 PCA

Licensed To: Licensee name not yet specified.

File name: O:\1997\A97106\DOT-SP-1\GAO\OUTPHASE.COL

Project: DOT Split Column Retrof	Material Properties:	
Column Id: out-of-phase	$E_c = 3834 \text{ ksi}$	$e_u = 0.003 \text{ in/in}$
Engineer: YQG	$f_c = 3.40 \text{ ksi}$	$E_s = 29000 \text{ ksi}$
Date: 12/16/98 Time: 10:24:59	Beta1 = 0.85	
Code: ACI 318-89	Stress Profile: Block	
Units: in-lb	$\phi(c) = 1.00, \phi(b) = 1.00$	

Y-axis slenderness is not considered.

```
0000000 00000 00000 00000 00000 00
00 00 00 00 00 00 00 00 00 00 00
00 00 00 00 00 00 00 00 00 00 00
00 00 00 00 00 00 00 00 00 00 00
00 00 00 0000000 00 00 00 00
0000000 00 00 00 00 00 00 00 00
00 00 00 00 00 00 00 00 00 00
00 00000 00 00 00000 00000 00000 (TM)
```

Computer program for the Strength Design of Reinforced Concrete Sections

Licensee stated above acknowledges that Portland Cement Association (PCA) is not and cannot be responsible for either the accuracy or adequacy of the material supplied as input for processing by the PCACOL(TM) computer program. Furthermore, PCA neither makes any warranty expressed nor implied with respect to the correctness of the output prepared by the PCACOL(TM) program. Although PCA has endeavored to produce PCACOL(TM) error free, the program is not and can't be certified infallible. The final and only responsibility for analysis, design and engineering documents is the licensees. Accordingly, PCA disclaims all responsibility in contract, negligence or other tort for any analysis, design or engineering documents prepared in connection with the use of the PCACOL(TM) program.

General Information:

File Name: O:\1997\A97106\DOT-SP-1\GAO\OUTPHASE.COL
 Project: DOT Split Column Retrof Code: ACI 318-89
 Column: out-of-phase Units: US in-lbs
 Engineer: YQG Date: 12/16/98 Time: 10:24:59

Run Option: Investigation Short (nonslender) column
 Run Axis: Y-axis Column Type: Structural

Material Properties:

f'_c = 4 ksi f_y = 44 ksi
 E_c = 3834.25 ksi E_s = 29000 ksi
 f_c = 3.4 ksi ϵ_{rup} = 0 in/in
 ϵ_u = 0.003 in/in
 Stress Profile: Block β_{etal} = 0.85

Geometry:

Rectangular: Width = 7 in Depth = 13 in
 Gross section area, A_g = 91 in²
 I_x = 1281.58 in⁴ X_o = 0 in
 I_y = 371.583 in⁴ Y_o = 0 in

Reinforcement:

Rebar Database: ASTM

Size	Diam	Area	Size	Diam	Area	Size	Diam	Area
3	0.38	0.11	4	0.50	0.20	5	0.63	0.31
6	0.75	0.44	7	0.88	0.60	8	1.00	0.79
9	1.13	1.00	10	1.27	1.27	11	1.41	1.56
14	1.69	2.25	18	2.26	4.00			

Confinement: User-defined; $\phi(c)$ = 1, $\phi(b)$ = 1, a = 1
 #3 ties with #10 bars, #4 with larger bars.

Layout: Rectangular
 Pattern: Sides Different [Cover to longitudinal reinforcement]

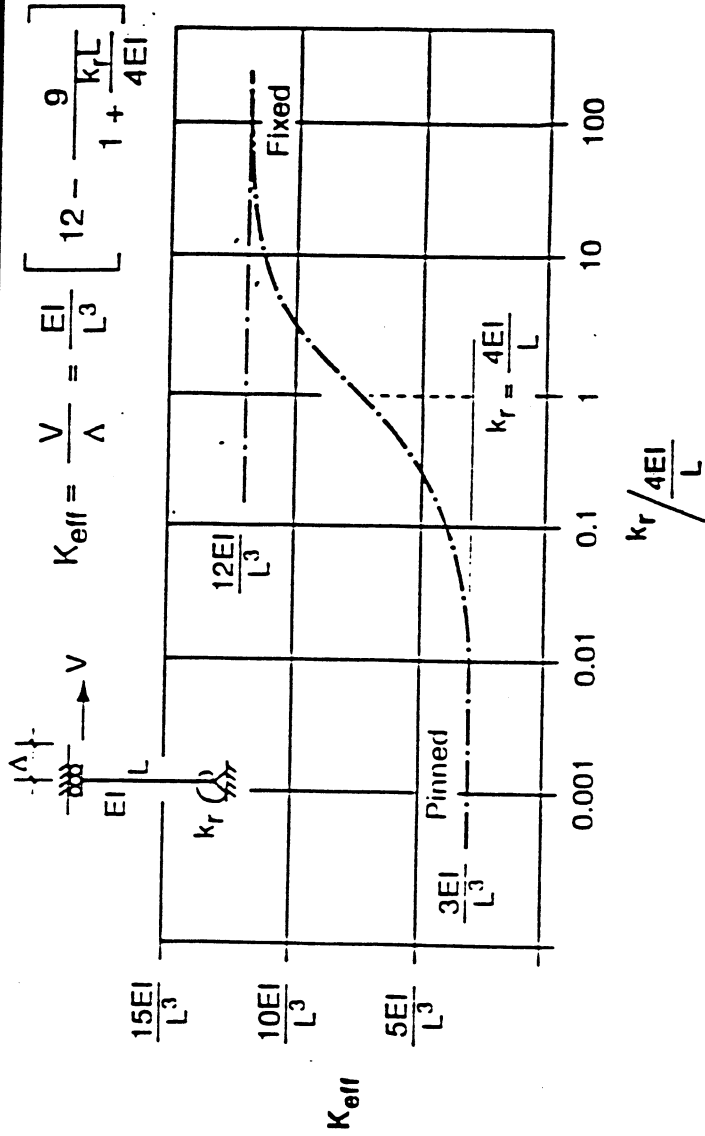
Total steel area, A_s = 1.10 in² at 1.21%

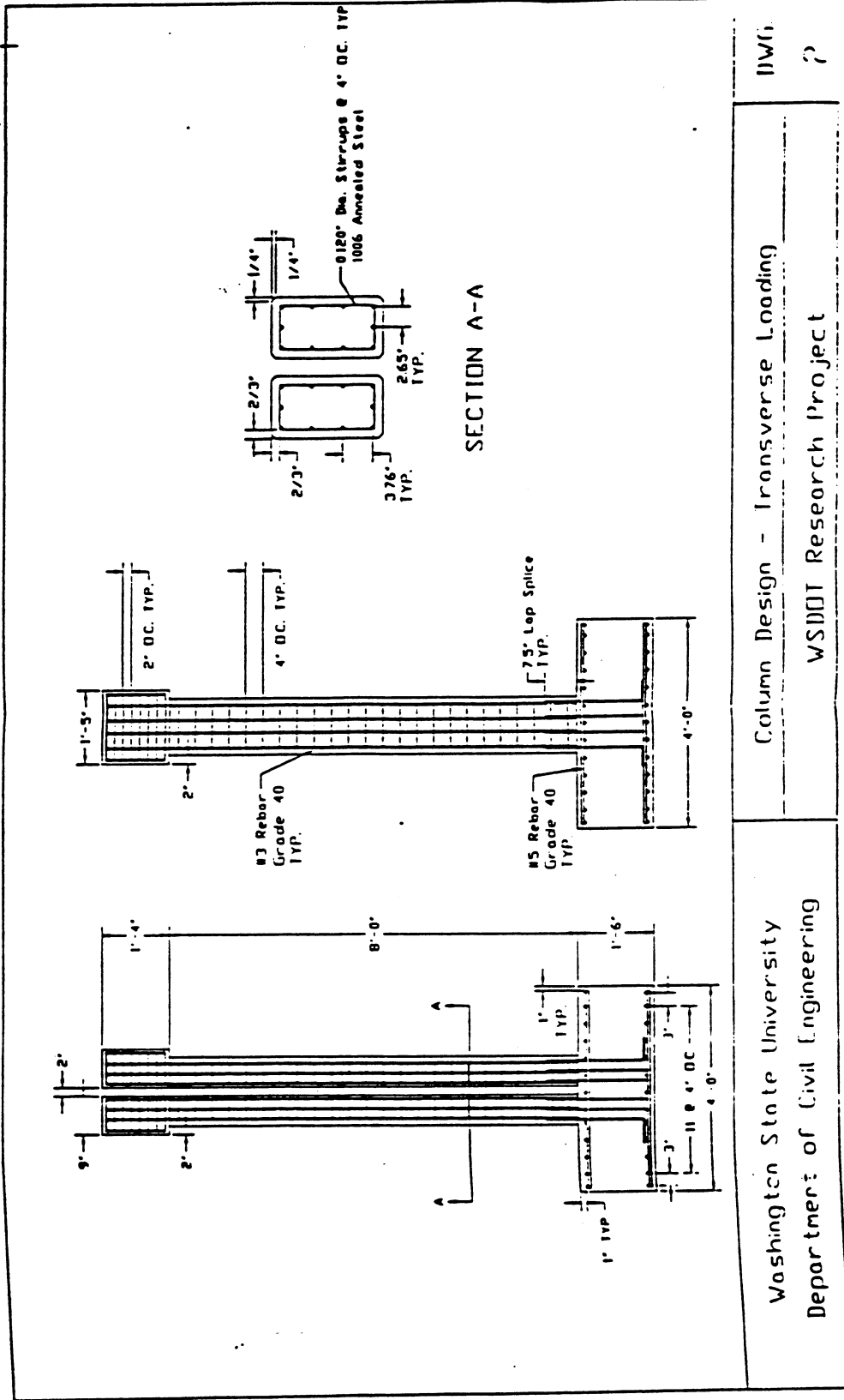
	Top	Bottom	Left	Right
Bars	3 - # 3	3 - # 3	2 - # 3	2 - # 3
Cover(in)	0.67	0.67	0.67	0.67

Bending about	Load, P (kips)	X-Mom. (ft-k)	Y-Mom. (ft-k)	N.A. depth (in)
Y Pure Comp.	354	0	0	12.43
Balanced	154	0	31	4.08
Pure Bend.	-0	0	12	0.82

Program completed as requested!

Rotational Flexibility / Fixed or Not?



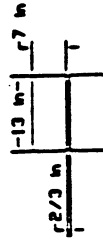
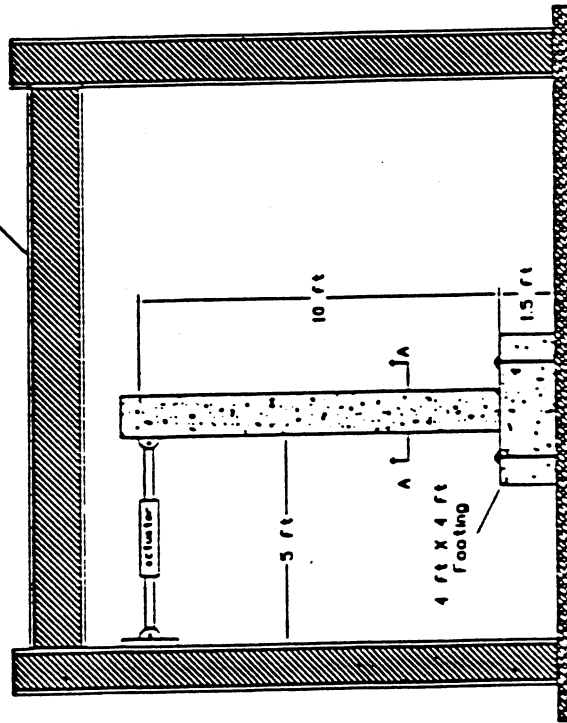


11/6/01
P

Column Design - Transverse Loading
WSDOT Research Project

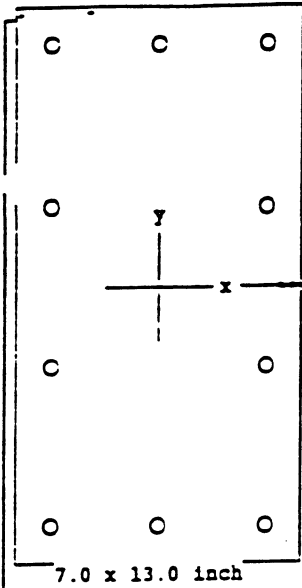
Washington State University
Department of Civil Engineering

Reaction Frame



Section A-A

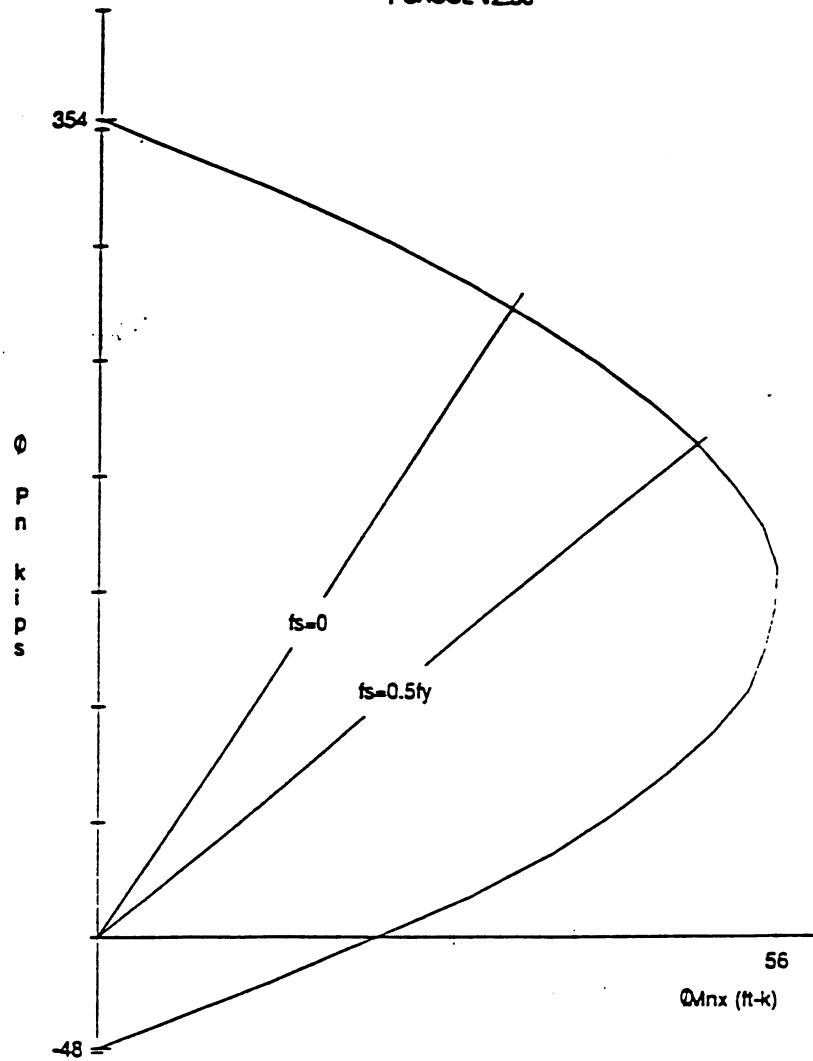
Test setup for transverse loading



$f'c = 4.0 \text{ ksi}$
 $f_y = 44.0 \text{ ksi}$
 Confinement: Other
 clr cover = 0.67 in
 spacing = 2.27 in
 10-#3 at 1.21%
 - 1 in²
 $I_x = 1282 \text{ in}^4$
 $I_y = 372 \text{ in}^4$
 $X_o = 0.00 \text{ in}$
 $Y_o = 0.00 \text{ in}$

© 1993 PCA

PCACOL V2.30



Licensed To: Licensee name not yet specified.

File name: O:\1997\A97106\DOT-SP-1\GAO\TRANSV.COL

Project: DOT Split Column Retrof

Material Properties:

Column Id: Transverse

$E_c = 3834 \text{ ksi}$

$e_u = 0.003 \text{ in/in}$

Engineer: YQG

$f_c = 3.40 \text{ ksi}$

$E_s = 29000 \text{ ksi}$

Date: 12/16/98 Time: 10:24:59

$\beta_{\text{etal}} = 0.85$

Code: ACI 318-89

Stress Profile: Block

Units: in-lb

$\phi(c) = 1.00, \phi(b) = 1.00$

X-axis slenderness is not considered.


```
OOOOOOO  OOOOO  OOOOO  OOOOO  OOOOO  OO
OO  CO  OO  OO  OO  OO  OO  OO  OO  OO  OO
OO  OO  OO  OO  OO  OO  OO  OO  OO  OO  OO
OO  CO  OO  OO  OO  OO  OO  OO  OO  OO  OO
OO  OO  OO  OOOOOOO  OO  OO  OO  OO  OO
OOOOOOOO  OO  OO  OO  OO  OO  OO  OO  OO  OO
OO  OO  OO  OO  OO  OO  OO  OO  OO  OO  OO
OO  OOOOO  OO  OO  OOOOO  OOOOO  OOOOO  (TM)
```

Computer program for the Strength Design of Reinforced Concrete Sections

Licensee stated above acknowledges that Portland Cement Association (PCA) is not and cannot be responsible for either the accuracy or adequacy of the material supplied as input for processing by the PCACOL(TM) computer program. Furthermore, PCA neither makes any warranty expressed nor implied with respect to the correctness of the output prepared by the PCACOL(TM) program. Although PCA has endeavored to produce PCACOL(TM) error free, the program is not and can't be certified infallible. The final and only responsibility for analysis, design and engineering documents is the licensees. Accordingly, PCA disclaims all responsibility in contract, negligence or other tort for any analysis, design or engineering documents prepared in connection with the use of the PCACOL(TM) program.

General Information:

File Name: O:\1997\A97106\DOT-SP-1\GAO\TRANSV.COL
 Project: DOT Split Column Retrof Code: ACI 318-89
 Column: Transverse Units: US in-lbs
 Engineer: YQG Date: 12/16/98 Time: 10:24:59

Run Option: Investigation Short (nonslender) column
 Run Axis: X-axis Column Type: Structural

Material Properties:

f'_c = 4 ksi f_y = 44 ksi
 E_c = 3834.25 ksi E_s = 29000 ksi
 f_c = 3.4 ksi ϵ_{rup} = 0 in/in
 ϵ_u = 0.003 in/in
 Stress Profile: Block β_{etal} = 0.85

Geometry:

Rectangular: Width = 7 in Depth = 13 in

Gross section area, A_g = 91 in²
 I_x = 1281.58 in⁴ X_o = 0 in
 I_y = 371.583 in⁴ Y_o = 0 in

Reinforcement:

Rebar Database: ASTM

Size	Diam	Area	Size	Diam	Area	Size	Diam	Area
3	0.38	0.11	4	0.50	0.20	5	0.63	0.31
6	0.75	0.44	7	0.88	0.60	8	1.00	0.79
9	1.13	1.00	10	1.27	1.27	11	1.41	1.56
14	1.69	2.25	18	2.26	4.00			

Confinement: User-defined; $\phi(c)$ = 1. $\phi(b)$ = 1. a = 1
 #3 ties with #10 bars, #4 with larger bars.

Layout: Rectangular
 Pattern: Sides Different [Cover to longitudinal reinforcement]

Total steel area, A_s = 1.10 in² at 1.21%

	Top	Bottom	Left	Right
Bars	3 -# 3	3 -# 3	2 -# 3	2 -# 3
Cover(in)	0.67	0.67	0.67	0.67

Bending about	Load, P (kips)	X-Mom. (ft-k)	Y-Mom. (ft-k)	N.A. depth (in)
X Pure Comp.	354	-0	-0	24.57
Balanced	169	56	-0	8.06
Pure Bend.	0	23	-0	1.27

Program completed as requested!

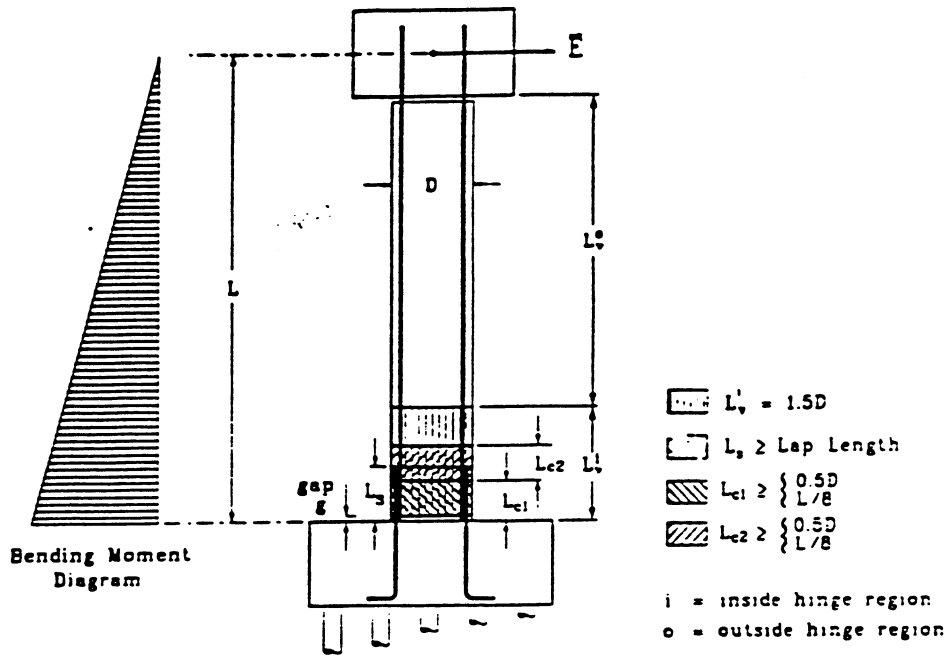


FIG 5. Carbon Jacket Regions for Bridge Column Retrofit, Single Bending

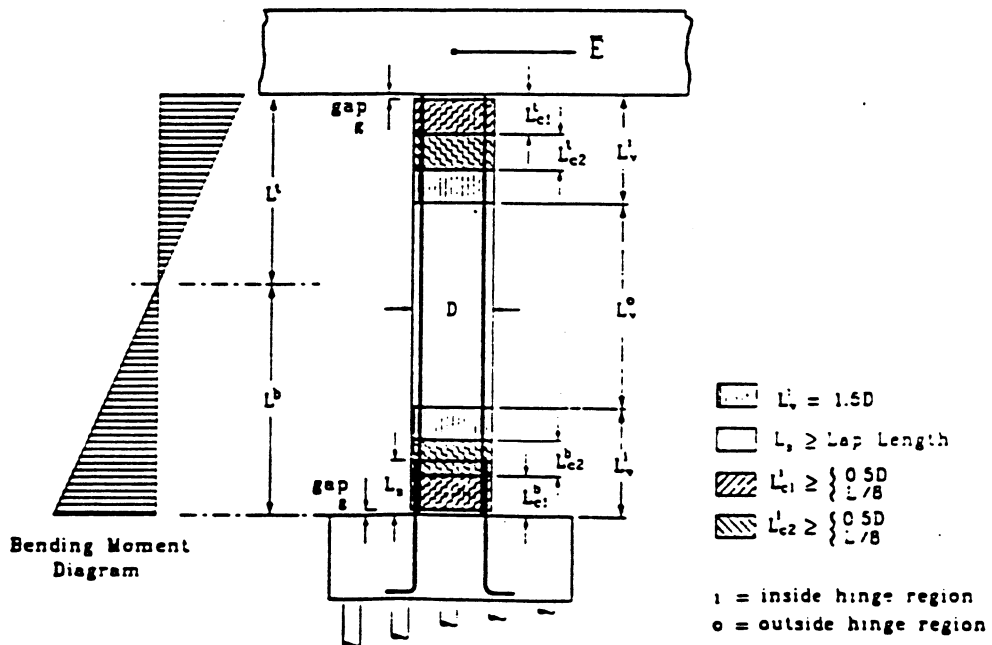


FIG 6. Carbon Jacket Regions for Bridge Column Retrofit, Double Bending

DRAWINGS

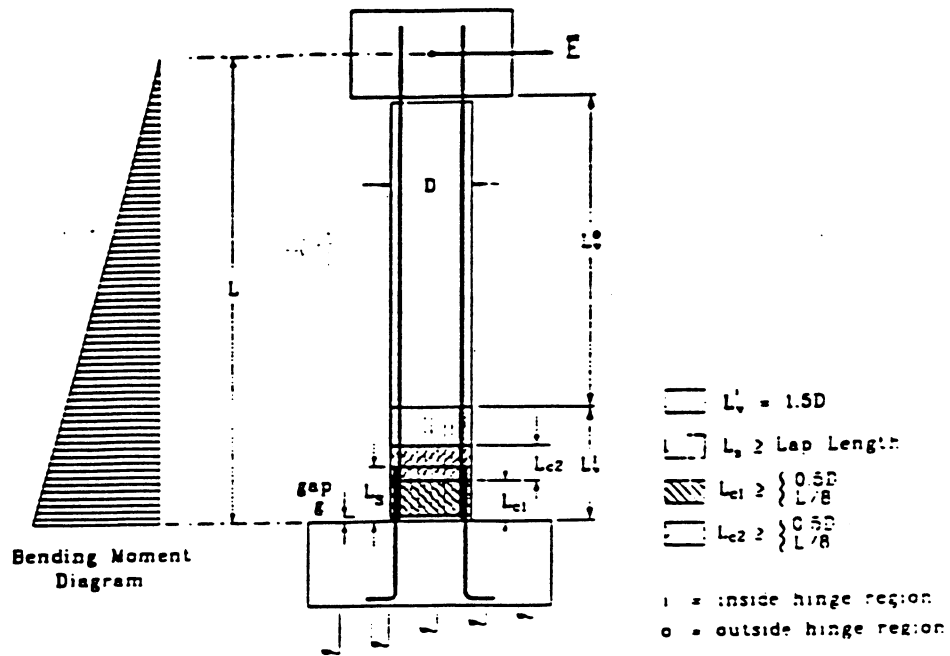


FIG 5. Carbon Jacket Regions for Bridge Column Retrofit. Single Bending

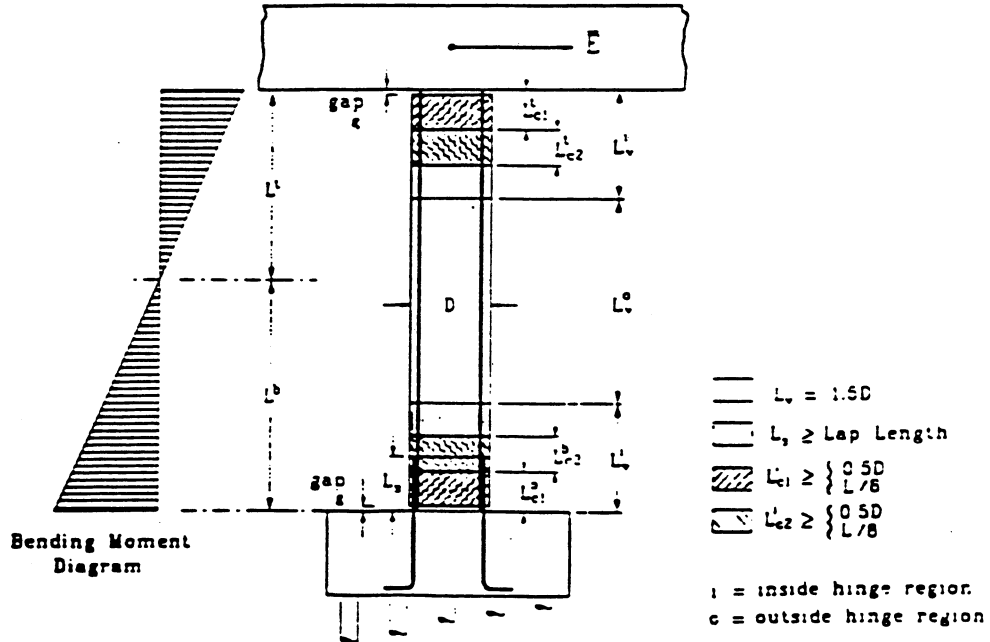


FIG 6. Carbon Jacket Regions for Bridge Column Retrofit. Double Bending

List of Reference Materials

1. Frieder Seible, M.J. Nigel Priestley, Donato Innamorato, *Earthquake Retrofit of Bridge column with Continuous Carbon Fiber Jackets*, Report No. ACTT-95/08, University of California at San Diego, August 1996
2. M.J.N. Priestley, F. Seible, G.M. Calvi, *Seismic Design and Retrofit of Bridges*, John Wiley & Sons, Inc., 1996

BERGER/ABAM
ENGINEERS INC.

PLANNING
ENGINEERING
ENVIRONMENTAL
PROGRAM MANAGEMENT

Facsimile Cover Sheet

Fax ID Number 99 5151

TO

FROM

Name David McLean
Firm WSU-CEE
Address Pullman, WA
Fax Number 509-335-7632
cc: Michael W LaNier

Name Lee Marsh
Firm BERGER/ABAM Engineers Inc.
Address 33301 Ninth Avenue South
Federal Way, WA 98003
Fax Number 206/431-2250
Telephone 206/431-2300

Total Number of Pages Transmitted (Including Cover Sheet) 7

Date Transmitted 5-13-99

Time Transmitted 2:10

Transmitted by Petty

BERGER/ABAM Job Number P98108

RE: WSU / WSDOT Split Column Tests

David,

In a recent conversation with one of your researchers, Paul Rogness, it came to my attention that the calculations and design drawings for the transverse loading specimen of the above referenced tests did not properly include the splice confinement. The methodology that we followed, that developed by the University of California at San Diego, explicitly calculates the confinement for reinforcement lap splice zones. However, this methodology also recognizes that confinement of rectangular splice zones with rectangular jackets is not entirely possible. Since your tests were conducted on such a configuration, and since this effect was one of the parameters that you were investigating, I calculated the numbers of Replark 30 wraps that would have been recommended for the tests of the splice zone. The attached calculations indicate that 11 or so wraps would have been required. We understand that the performance of the specimens with the 6 wraps that were provided was fairly good. We would expect that if 11 wraps had been used, the performance may have been somewhat better. Therefore, the results probably form a lower bound to the performance expected if the calculated number of wraps are used. I hope that this additional information can be of help to you. If you have any questions, please give me a call.

Regards,

Lee
Lot

BERGER/ABAM Engineers Inc., 33301 Ninth Avenue South • Federal Way, WA 98003-6395
Phone 206/431-2300 • Fax 206/431-2250



Approx Symmetrical Wrap
 150 Split Column Tests
 Splice-Zone Confinement
 Size 1 of 6
 Job Number F96108
 Designer LM
 Date 5/13/99

Jacket Thickness for eqn. circular column

$$f_j = 500 \frac{D(f_c - f_h)}{E_j}$$

$D = 16.33''$
 $f_c = 324,300 \text{ psi}$
 $f_h = 75,500 \text{ psi}$
 $E_j = 33,426 \text{ ksi}$

$$f_j = 500 \frac{(16.33)(300)}{33426} = 0.0733$$

Ref: ACI 95/06
 Earthquake Retrofit of
 Bridge Columns w/
 Continuous Carbon
 Fiber Jackets E4

$$\# \text{ wraps} = \frac{0.0733}{0.0066}$$

Report to 11 wraps reqd

* Calc. f_c : $f_c = \frac{A_s f_y}{\left[\frac{p}{2n} + 2(d_b + cc) \right] L_s}$

p = inside crack perimeter
 d_b = bar dia.
 n = # of bars
 cc = dr cover
 L_s = splice length

approx. $p = 16.33 - 0.67(2)\pi = 15''$

$n = 10 \text{ bars}$

$A_s = 0.11(10) = 1.1 \text{ in}^2$

$d_b = 0.375''$

$f_y = 44 \text{ ksi}$

$cc = 0.67''$

$L_s = 7.5'' (20 d_b)$

$f_c = \frac{44(1.1)}{\left[\frac{15}{2(10)} + 2(0.375 + 0.67) \right] 7.5}$

$= 0.264 \text{ ksi}$ use 300 psi OK

ACI 95/06 Does not recommend using rectangular jackets on rectangular columns to confine splice zones. If some debonding is permissible in the splice zone, then rect. jackets may be effective. Also typically the calc. jacket thickness would be doubled, producing 0.14 in. or 22 wraps.



Project Sumitomo Wrap Sheet 2 of 6
WSU Split Column Tests Job Number P95105
 Subject Splice Zone Designer LM
Confinement Date 5/13/99

Alternate method
 of determining
 jacket thickness

Ref: Seismic Design & Retrofit of Bridges
 Priestley, Seible, Calvi. ACI 809.2.2(b)(ii)

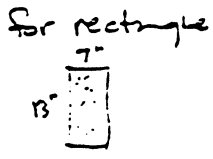
$$P_s = 2 \frac{(A_b f_s / 4 \rho_l s - f_2)}{0.0015 E_j} \quad f_2 = \frac{A_b f_s}{4 \rho_l s} = \frac{1.21 A_b f_s}{\rho_l s}$$

$$f_2 = \frac{1.21(1.1)40}{15(7.5)} = 0.47 \text{ ksi}$$

ACTT based on
 0.001 E
 so this is less
 conservative.

$$P_s = \frac{2(0.47)}{0.0015(33425)} = 0.0189$$

$$P_s = 2 f_j \left[\frac{b+h}{bh} \right] \quad f_j = \frac{P_s}{2} \frac{bh}{[b+h]} = \frac{0.0189(7)(13)}{2(7+13)}$$



$$f_j = 0.043 \text{ ksi}$$

$$\# \text{ wraps} = \frac{0.043}{0.0066} = 6.5 \text{ wraps reqd}$$

Note: if use $f_2 = 0.47$
 $2 E = 0.0015$ (ACTT eqn)

$$f_j = \frac{520(16.33) \cdot 0.47}{33425} \left(\frac{1.001}{0.0015} \right) = 0.077$$

$$\# \text{ wraps} = \frac{0.077}{0.0066} = 11.6 \text{ wraps}$$

but ACTT method
 may be a better
 predictor since P_s
 is calc. for a rectangle
 is not truly applicable.

- or about the
 same as before.

APPENDIX C

XXSYS RETROFIT DESIGN CALCULATIONS

XXSYS "CHOPSTICK DESIGN"

Column Specifications:

Column Height,	$L := 60$	(in)
Shear Span,	$L_e := 30$	(in)
Column Width,	$B := 13$	(in)
Column Depth,	$D := 7$	(in)
Concrete Cover,	$cc := 0.67$	(in)
Concrete Compressive Strength,	$f_c := 5000$	(psi)
Longitudinal Reinforcement 10 #3	$f_{yl} := 40$	(ksi)
Number of Bars	$n := 10$	
Bar Diameter	$d_b := 0.375$	(in)
Bar Area	$A_b := 0.11$	(in ²)
Steel Modulus	$E_s := 29000$	(ksi)
Transverse Reinforcement 0.12 @ 4 in.	$f_{yt} := 40$	(ksi)
Bar Diameter	$d_s := 0.12$	(in)
Bar Area	$A_s := 0.011$	(in ²)
Spacing	$s := 4$	(in)
Lap Splice Length,	$L_s := 7.5$	(in)

Section Properties:

Axial Load,	$P := 0$	(kips)
Moment Capacity,	$M_{yi} := 152.4$	(kip in)
Yield Curvature,	$\phi_y := 0.000426$	(1/in)
Neutral Axis Depth,	$c_u := 0.7$	(in)

Jacket Material Properties:

Jacket Modulus,	$E_j := 12000$	(ksi)
Ultimate Jacket Strength,	$f_{ju} := 120$	(ksi)
Ultimate Strain,	$\epsilon_{ju} := 0.01$	(in/in)

Required Displacement Ductility: $\mu_{\Delta} := 8$

Shear Strength Retrofit:

Plastic shear including overstrength =

$$V_o := 1.5 \cdot \left(\frac{M_{yi}}{L_e} \right) \quad V_o = 7.6 \quad (\text{kips})$$

Concrete shear contribution =

$$k := \text{if} \left(\mu_{\Delta} < 2, 3, \text{if} \left(\mu_{\Delta} < 4, 5 - \mu_{\Delta}, \text{if} \left(\mu_{\Delta} < 8, 1.5 - \frac{\mu_{\Delta}}{8}, \text{if} \left(\mu_{\Delta} \geq 8, 0.5, 0.5 \right) \right) \right) \right) \right) \quad k = 0.5$$

$$V_{ci} := k \cdot \sqrt{f_c} \cdot 0.8 \cdot (D \cdot B) \cdot 10^{-3} \quad V_{ci} = 2.6 \quad (\text{kips})$$

$$V_{co} := 3 \cdot \sqrt{f_c} \cdot 0.8 \cdot (D \cdot B) \cdot 10^{-3} \quad V_{co} = 15.4 \quad (\text{kips})$$

Hoop reinforcement shear contribution =

$$D_c := D - 2 \cdot cc + d_b$$

$$\theta := 45$$

$$\alpha := \theta \cdot \frac{\pi}{180} \quad (\text{change to radians})$$

$$nbar := 2 \quad (\# \text{ transverse bars})$$

$$V_s := \frac{nbar \cdot A_s \cdot f_{yt} \cdot D_c}{s} \cdot \cot(\alpha) \quad V_s = 1.3 \quad (\text{kips})$$

$$\text{Axial load shear contribution} = \quad V_p := P \cdot \frac{D - c_u}{2 \cdot L_e} \quad V_p = 0 \quad (\text{kips})$$

Jacket thickness inside the plastic hinge region $t_{ji} =$

Strength reduction factor $\phi \quad \phi := 0.85$

$$t_{vi} := \frac{125}{(E_j \cdot D)} \cdot \left[\frac{V_o}{\phi} - (V_{ci} + V_s + V_p) \right] \quad t_{vi} = 0.008 \quad (\text{in}) \quad \lllllll$$

Jacket thickness outside the plastic hinge region $t_{jo} =$

$$t_{vo} := \frac{125}{(E_j \cdot D)} \cdot \left[\frac{V_o}{\phi} - (V_{co} + V_s + V_p) \right] \quad t_{vo} = -0.012 \quad (\text{in}) \quad \lllllll$$

Flexural Plastic Hinge Confinement:

Equivalent column diameter $D_e =$

$$A := D$$

$$k := \left(\frac{A}{B}\right)^{\frac{2}{3}}$$

$$b := \sqrt{\left[\frac{A}{(2 \cdot k)}\right]^2 + \left(\frac{B}{2}\right)^2}$$

$$a := k \cdot b$$

$$R_1 := \frac{b^2}{a}$$

$$R_2 := \frac{a^2}{b}$$

$$D_e := R_1 + R_2$$

$$D_e = 16.331 \quad (\text{in})$$

Plastic hinge length = $L_p := L_e \cdot 0.08 + 0.15 \cdot f_{y1} \cdot d_b$ $L_p = 4.7 \quad (\text{in})$

Curvature ductility demand =

$$\mu_\phi := 1 + \frac{\mu_\Delta - 1}{3 \cdot \left(\frac{L_p}{L_e}\right) \cdot \left[1 - 0.5 \cdot \left(\frac{L_p}{L_e}\right)\right]}$$

$$\mu_\phi = 17$$

Required ultimate compression strain in the concrete =

$$\epsilon_{cu} := \mu_\phi \cdot \phi_y \cdot \epsilon_{cu}$$

$$\epsilon_{cu} = 0.0052$$

Jacket thickness t_{c1} and $t_{c2} =$

$$t_{c1} := \left[0.1 \cdot \frac{D_e \cdot (\epsilon_{cu} - 0.004) \cdot 1.5 \cdot f_c}{f_{ju} \cdot \epsilon_{ju}} \cdot 10^{-3} \right] \cdot 2 \quad t_{c1} = 0.024 \quad (\text{in}) \quad \lllllll$$

$$t_{c2} := \frac{t_{c1}}{2} \quad t_{c2} = 0.012 \quad (\text{in}) \quad \lllllll$$

Thickness to prevent bar buckling = $t_b := \frac{n \cdot D}{E_j}$ $t_b = 0.006 \quad (\text{in})$

Jacket Specifications:

Shear Strength Component =

$$L_{vi} := 1.5 \cdot D$$

$$L_{vi} = 10.5 \text{ (in)} \ggggg t_{vi} = 0.008 \text{ (in)}$$

$$L_{vo} := L - 2 \cdot L_{vi}$$

$$L_{vo} = 39 \text{ (in)} \ggggg t_{vo} = -0.012 \text{ (in)}$$

Confinement Component =

$$L_{c1} := \text{if} \left(0.5 \cdot D \geq 0.125 \cdot L_e, 0.5 \cdot D, 0.125 \cdot L_e \right) L_{c1} = 3.75 \text{ (in)} \ggggg t_{c1} = 0.024 \text{ (in)}$$

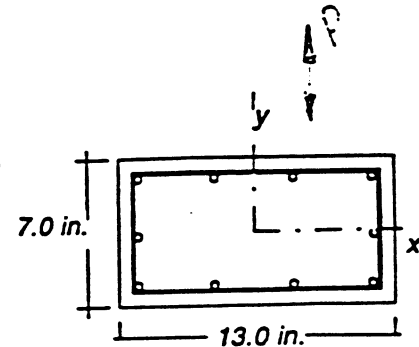
$$L_{c2} := \text{if} \left(0.5 \cdot D \geq 0.125 \cdot L_e, 0.5 \cdot D, 0.125 \cdot L_e \right) L_{c2} = 3.75 \text{ (in)} \ggggg t_{c2} = 0.012 \text{ (in)}$$

$$t_b = 0.006 \text{ (in)}$$

EVALUATION RELEASE OF SEQMC MAY NOT BE UTILIZED FOR PRODUCTION.
 For license information contact: SC Solutions, 3211 Scott Blvd., Santa Clara, CA 95054, (408) 486-6060

SECTION PROPERTIES:

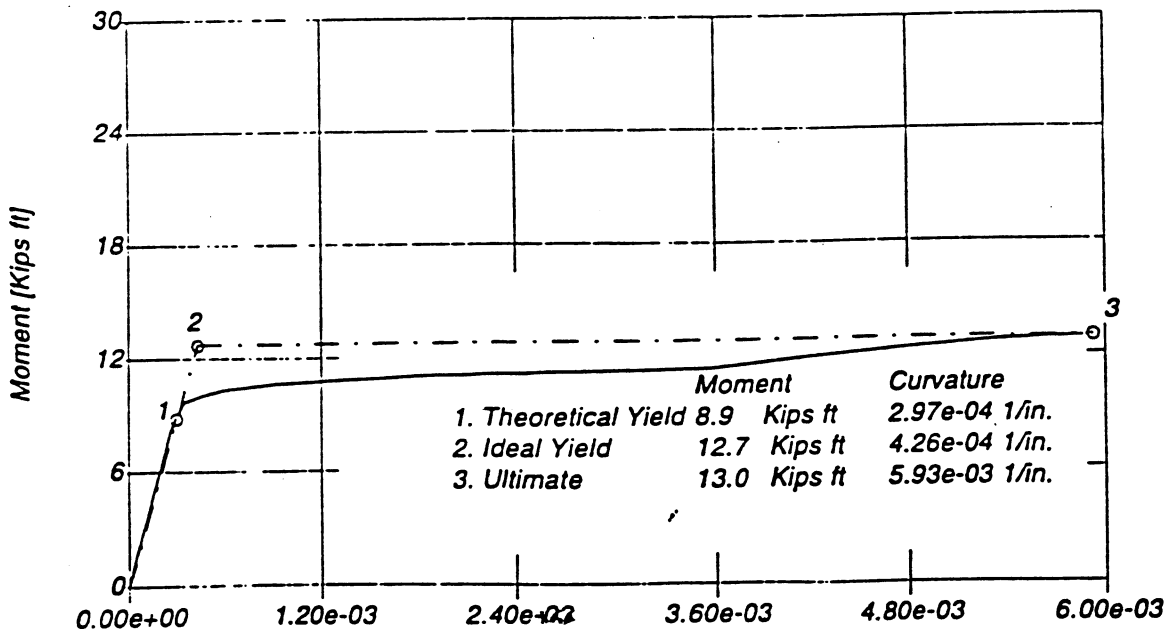
Section Depth	= 7.0 in.		
Section Width	= 13.0 in.		
Cover to Main Steel	= 0.7 in.		
Concrete Model	= Mander (no tensile strength)		
Concrete Strength	= 5.00 ksi		
Steel Model	= Mild Strength Steel		
Steel Strength	= 40.0 ksi		
Young's Modulus	= 29000.0 ksi		
Tension Side Reinforcement	= 4 Bars (#3 Bars)		
Compression Side Reinforcement	= 4 Bars (#3 Bars)		
Side Reinforcement	= 1 Bars (#3 Bars) each side		
Hoop Size	= 0.12 Bars	Average Number of Legs	= 2.0
Hoop Spacing	= 4.0 in.	Hoop Strength	= 40.0 ksi



MOMENT CURVATURE ANALYSIS RESULTS:
 The Ideal Moment Capacity is based on the concrete strain of 0.004.

Applied Axial Load	= 0.0 Kips	A_g	= 91.0 sq.in
E_{eff}	= 2.49e+03 Kips sq.ft	I_g	= 3.72e+02 in ⁴
Curvature Ductility	= 13.9	I_{eff}	= 8.43e+01 in ⁴

Moment Curvature Plot

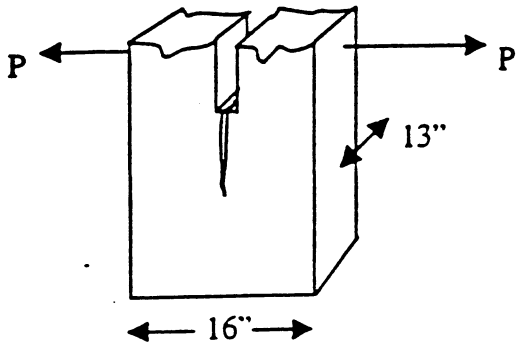


EVALUATION RELEASE OF SEQMC MAY NOT BE UTILIZED FOR PRODUCTION.

Conc. Strain	N.A. Depth	Steel Strain	Moment Cap.	Curvature
0.0001	1.5 in.	-0.00030	2.1 Kips ft	6.55e-05 1/in.
0.0002	1.5 in.	-0.00060	4.1 Kips ft	1.31e-04 1/in.
0.0003	1.5 in.	-0.00091	6.2 Kips ft	1.96e-04 1/in.
0.0004	1.5 in.	-0.00121	8.3 Kips ft	2.62e-04 1/in.
0.0005	1.5 in.	-0.00161	9.7 Kips ft	3.44e-04 1/in. — Yield
0.0006	1.3 in.	-0.00224	10.1 Kips ft	4.63e-04 1/in.
0.0007	1.2 in.	-0.00297	10.3 Kips ft	5.97e-04 1/in.
0.0008	1.1 in.	-0.00377	10.5 Kips ft	7.44e-04 1/in.
0.0009	1.0 in.	-0.00463	10.6 Kips ft	9.00e-04 1/in.
0.0010	0.9 in.	-0.00553	10.7 Kips ft	1.06e-03 1/in.
0.0011	0.9 in.	-0.00646	10.8 Kips ft	1.23e-03 1/in.
0.0012	0.9 in.	-0.00741	10.9 Kips ft	1.40e-03 1/in.
0.0013	0.8 in.	-0.00838	11.0 Kips ft	1.58e-03 1/in.
0.0014	0.8 in.	-0.00935	11.0 Kips ft	1.75e-03 1/in.
0.0015	0.8 in.	-0.01032	11.1 Kips ft	1.92e-03 1/in.
0.0016	0.8 in.	-0.01128	11.1 Kips ft	2.10e-03 1/in.
0.0017	0.7 in.	-0.01224	11.2 Kips ft	2.27e-03 1/in.
0.0018	0.7 in.	-0.01319	11.2 Kips ft	2.44e-03 1/in.
0.0019	0.7 in.	-0.01412	11.2 Kips ft	2.61e-03 1/in.
0.0020	0.7 in.	-0.01503	11.2 Kips ft	2.77e-03 1/in.
0.0025	0.7 in.	-0.01936	11.3 Kips ft	3.56e-03 1/in.
0.0030	0.7 in.	-0.02290	12.0 Kips ft	4.22e-03 1/in.
0.0035	0.7 in.	-0.02613	12.4 Kips ft	4.82e-03 1/in.
0.0040	0.7 in.	-0.02913	12.7 Kips ft	5.39e-03 1/in.
0.0045	0.8 in.	-0.03192	13.0 Kips ft	5.93e-03 1/in.

Ultimate concrete strain was exceeded.

"Chopsticks" Design – Part 2



Goal: limit crack width to 1 mm in the 16" x 13" wide section to assure aggregate interlock in the concrete.

- 1) $1 \text{ mm} \times 1 \text{ in}/25.4 \text{ mm} = .03937''$ total crack width in concrete section
- 2) This crack width spread over the 16" wide section would be:
 $.03937''/16'' = .00246 \text{ in/in}$ of width = .246% strain = the strain limit in composite
- 3) Now, using: $\sigma_{\text{applied}} = \epsilon E$
then: $\sigma_{\text{applied}} = (.00246)(12,000,000)$
 $= 29,520 \text{ lbs/in}^2$ would be developed in the composite at that strain level.
- 4) Using a material with a strength of $120,000 \text{ lb/in}^2$, we would need $29,520/120,000$ or $.246 \text{ in}^2$ of material to restrain the concrete.
- 5) If this area was spread out over 6", it would be $.041''$ thick ($.246 \text{ in}^2/6'' = .041''$)
Over 12", it would be $.0205''$ thick.
- 6) Therefore, as a safe design that both restrains the crack and allows for a smooth transition of load resistance, we will apply (2) layers of $.0266''$ thick GA180 fabric to the column: (1) 12" wide section overlaid by a (1) 6"-wide section applied to the top 6". The bottom 6" would have a thickness of $.0266''$ and the top 6" would have a thickness of $.0532''$.

XXSYS "GRADED" COLUMN DESIGN

Column Specifications:

Column Height,	$L := 104$	(in)
Shear Span,	$L_e := 104$	(in)
Column Width,	$B := 16$	(in)
Column Depth,	$D := 13$	(in)
Concrete Cover,	$cc := 0.67$	(in)
Concrete Compressive Strength,	$f_c := 5000$	(psi)
Longitudinal Reinforcement 20 #3	$f_{yl} := 40$	(ksi)
Number of Bars	$n := 16$	
Bar Diameter	$d_b := 0.375$	(in)
Bar Area	$A_b := 0.11$	(in ²)
Steel Modulus	$E_s := 29000$	(ksi)
Transverse Reinforcement 0.12 @ 4 in.	$f_{yt} := 40$	(ksi)
Bar Diameter	$d_s := 0.12$	(in)
Bar Area	$A_s := 0.011$	(in ²)
Spacing	$s := 4$	(in)
Lap Splice Length,	$L_s := 7.5$	(in)

Section Properties:

Axial Load,	$P := 0$	(kips)
Moment Capacity,	$M_{yi} := 547.2$	(kip in)
Yield Curvature,	$\phi_y := 0.000235$	(1/in)
Neutral Axis Depth,	$c_u := 0.9$	(in)

Jacket Material Properties:

Jacket Modulus,	$E_j := 12000$	(ksi)
Ultimate Jacket Strength,	$f_{ju} := 120$	(ksi)
Ultimate Strain,	$\epsilon_{ju} := 0.01$	(in/in)

Required Displacement Ductility: $\mu_\Delta := 8$

Shear Strength Retrofit:

Plastic shear including overstrength =

$$V_o := 1.5 \cdot \left(\frac{M_{yi}}{L_e} \right) \quad V_o = 7.9 \quad (\text{kips})$$

Concrete shear contribution =

$$k := \text{if} \left(\mu_{\Delta} < 2, 3, \text{if} \left(\mu_{\Delta} < 4, 5 - \mu_{\Delta}, \text{if} \left(\mu_{\Delta} < 8, 1.5 - \frac{\mu_{\Delta}}{8}, \text{if} \left(\mu_{\Delta} \geq 8, 0.5, 0.5 \right) \right) \right) \right) \quad k = 0.5$$

$$V_{ci} := k \cdot \sqrt{f_c} \cdot 0.8 \cdot (D \cdot B) \cdot 10^{-3} \quad V_{ci} = 5.9 \quad (\text{kips})$$

$$V_{co} := 3 \cdot \sqrt{f_c} \cdot 0.8 \cdot (D \cdot B) \cdot 10^{-3} \quad V_{co} = 35.3 \quad (\text{kips})$$

Hoop reinforcement shear contribution =

$$D_c := D - 2 \cdot cc + d_b$$

$$\theta := 45$$

$$\alpha := \theta \cdot \frac{\pi}{180} \quad (\text{change to radians})$$

$$nbar := 2 \quad (\# \text{ transverse bars})$$

$$V_s := \frac{nbar \cdot A_s \cdot f_{yt} \cdot D_c}{s} \cdot \cot(\alpha) \quad V_s = 2.6 \quad (\text{kips})$$

Axial load shear contribution = $V_p := P \cdot \frac{D - c_u}{2 \cdot L_e} \quad V_p = 0 \quad (\text{kips})$

Jacket thickness inside the plastic hinge region $t_{ji} =$

Strength reduction factor $\phi \quad \phi := 0.85$

$$t_{vi} := \frac{125}{(E_j \cdot D)} \left[\frac{V_o}{\phi} - (V_{ci} + V_s + V_p) \right] \quad t_{vi} = 6.044 \cdot 10^{-4} \text{ (in)} \quad \lllllll$$

Jacket thickness outside the plastic hinge region $t_{jo} =$

$$t_{vo} := \frac{125}{(E_j \cdot D)} \left[\frac{V_o}{\phi} - (V_{co} + V_s + V_p) \right] \quad t_{vo} = -0.023 \text{ (in)} \quad \lllllll$$

Flexural Plastic Hinge Confinement:

Equivalent column diameter $D_e =$

$$A := D$$

$$k := \left(\frac{A}{B}\right)^{\frac{2}{3}}$$

$$b := \sqrt{\left[\frac{A}{(2 \cdot k)}\right]^2 + \left(\frac{B}{2}\right)^2}$$

$$a := k \cdot b$$

$$R_1 := \frac{b^2}{a}$$

$$R_2 := \frac{a^2}{b}$$

$$D_e := R_1 + R_2$$

$$D_e = 20.862 \quad (\text{in})$$

Plastic hinge length = $L_p := L_e \cdot 0.08 + 0.15 \cdot f_{y1} \cdot d_b$ $L_p = 10.6 \quad (\text{in})$

Curvature ductility demand =

$$\mu_\phi := 1 + \frac{\mu_\Delta - 1}{3 \cdot \left(\frac{L_p}{L_e}\right) \cdot \left[1 - 0.5 \cdot \left(\frac{L_p}{L_e}\right)\right]}$$

$$\mu_\phi = 25$$

Required ultimate compression strain in the concrete =

$$\epsilon_{cu} := \mu_\phi \cdot \phi_y \cdot \epsilon_{cu}$$

$$\epsilon_{cu} = 0.0053$$

Jacket thickness t_{c1} and $t_{c2} =$

$$t_{c1} := \left[0.1 \cdot \frac{D_e \cdot (\epsilon_{cu} - 0.004) \cdot 1.5 \cdot f_c}{f_{ju} \cdot \epsilon_{ju}} \cdot 10^{-3} \right] \cdot 2 \quad t_{c1} = 0.035 \quad (\text{in}) \quad \lllllll$$

$$t_{c2} := \frac{t_{c1}}{2} \quad t_{c2} = 0.017 \quad (\text{in}) \quad \lllllll$$

Thickness to prevent bar buckling = $t_b := \frac{n \cdot D}{E_j}$ $t_b = 0.017 \quad (\text{in})$

Lap Splice Clamping:

Available lateral clamping pressure =

$$f_h := 0$$

$$f_h = 0 \quad (\text{ksi})$$

Required clamping pressure =

$$dd := [D - 2 \cdot (d_b + cc)]$$

$$bb := [B - 2 \cdot (d_b + cc)]$$

$$p := 2 \cdot (dd + bb)$$

$$f_1 := \frac{A_b \cdot f_{yl}}{\left[\frac{P}{2 \cdot n} + 2 \cdot (d_b + cc) \right] \cdot L_s}$$

$$f_1 = 0.161 \quad (\text{ksi})$$

Required jacket thickness =

$$t_s := \left[500 \cdot \left(\frac{D_e}{E_j} \right) \cdot (f_1 - f_h) \right] \cdot 2$$

$$t_s = 0.28 \quad (\text{in}) \quad \lllllll$$

Jacket Specifications:

Shear Strength Component =

$$L_{vi} := 1.5 \cdot D$$

$$L_{vi} = 19.5 \text{ (in)} \ggggg t_{vi} = 6.044 \cdot 1 \text{ (in)}$$

$$L_{vo} := L - 2 \cdot L_{vi}$$

$$L_{vo} = 65 \text{ (in)} \ggggg t_{vo} = -0.023 \text{ (in)}$$

Confinement Component =

$$L_{c1} := \text{if} \left(0.5 \cdot D \geq 0.125 \cdot L_e, 0.5 \cdot D, 0.125 \cdot L_e \right) L_{c1} = 13 \text{ (in)} \ggggg t_{c1} = 0.035 \text{ (in)}$$

$$L_{c2} := \text{if} \left(0.5 \cdot D \geq 0.125 \cdot L_e, 0.5 \cdot D, 0.125 \cdot L_e \right) L_{c2} = 13 \text{ (in)} \ggggg t_{c2} = 0.017 \text{ (in)}$$

$$t_b = 0.017 \text{ (in)}$$

EVALUATION RELEASE OF SEQMC MAY NOT BE UTILIZED FOR PRODUCTION.
 For license information contact: SC Solutions, 3211 Scott Blvd., Santa Clara, CA 95054, (408) 486-6060

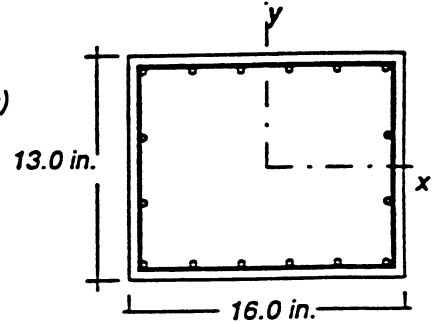
SECTION PROPERTIES:

Section Depth = 13.0 in.
 Section Width = 16.0 in.
 Cover to Main Steel = 0.7 in.

Concrete Model = Mander (no tensile strength)
 Concrete Strength = 5.00 ksi

Steel Model = Mild Strength Steel
 Steel Strength = 40.0 ksi
 Young's Modulus = 29000.0 ksi

Tension Side Reinforcement = 6 Bars (#3 Bars)
 Compression Side Reinforcement = 6 Bars (#3 Bars)
 Side Reinforcement = 2 Bars (#3 Bars) each side



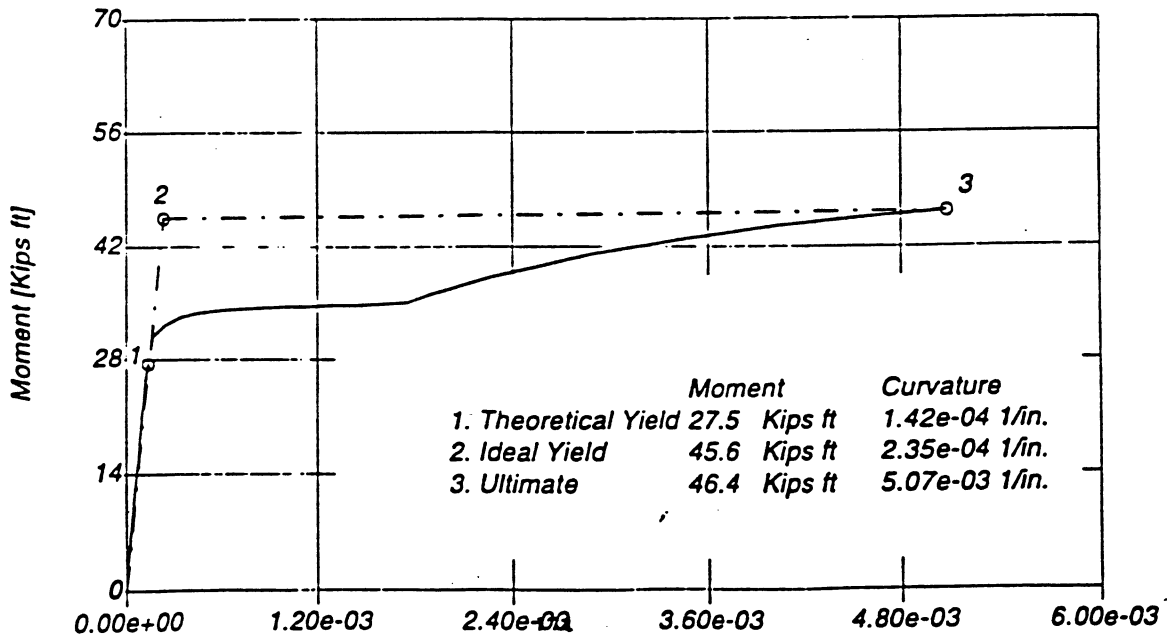
Hoop Size = 0.12 Bars Average Number of Legs = 2.0
 Hoop Spacing = 4.0 in. Hoop Strength = 40.0 ksi

MOMENT CURVATURE ANALYSIS RESULTS:

The Ideal Moment Capacity is based on the concrete strain of 0.004.

Applied Axial Load	= 0.0 Kips	Ag	= 208.0 sq.in
Eleff	= 1.62e+04 Kips sq.ft	Ig	= 2.93e+03 in^4
Curvature Ductility	= 21.6	Ieff	= 5.48e+02 in^4

Moment Curvature Plot



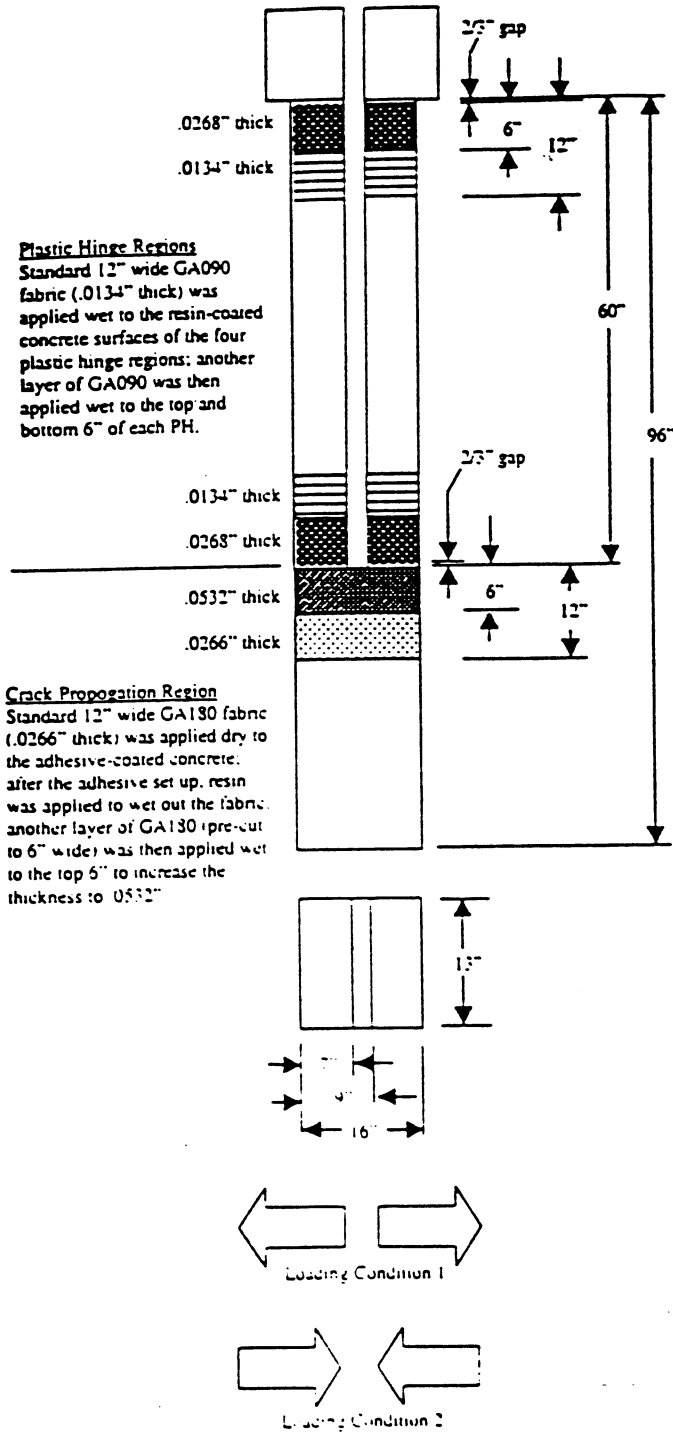
EVALUATION RELEASE OF SEQMC MAY NOT BE UTILIZED FOR PRODUCTION.

Conc. Strain	N.A. Depth	Steel Strain	Moment Cap.	Curvature
0.0001	2.5 in.	-0.00039	8.4 Kips ft	4.02e-05 1/in.
0.0002	2.5 in.	-0.00078	16.8 Kips ft	8.05e-05 1/in.
0.0003	2.5 in.	-0.00116	25.2 Kips ft	1.21e-04 1/in.
0.0004	2.3 in.	-0.00170	31.0 Kips ft	1.73e-04 1/in. — Yield
0.0005	2.0 in.	-0.00256	32.5 Kips ft	2.52e-04 1/in.
0.0006	1.7 in.	-0.00360	33.3 Kips ft	3.46e-04 1/in.
0.0007	1.5 in.	-0.00482	33.8 Kips ft	4.55e-04 1/in.
0.0008	1.4 in.	-0.00618	34.1 Kips ft	5.75e-04 1/in.
0.0009	1.3 in.	-0.00767	34.3 Kips ft	7.06e-04 1/in.
0.0010	1.2 in.	-0.00926	34.5 Kips ft	8.45e-04 1/in.
0.0011	1.1 in.	-0.01093	34.6 Kips ft	9.91e-04 1/in.
0.0012	1.1 in.	-0.01264	34.7 Kips ft	1.14e-03 1/in.
0.0013	1.0 in.	-0.01440	34.8 Kips ft	1.29e-03 1/in.
0.0014	1.0 in.	-0.01619	34.9 Kips ft	1.45e-03 1/in.
0.0015	0.9 in.	-0.01798	35.0 Kips ft	1.60e-03 1/in.
0.0016	0.9 in.	-0.01968	35.2 Kips ft	1.75e-03 1/in.
0.0017	0.9 in.	-0.02128	36.2 Kips ft	1.89e-03 1/in.
0.0018	0.9 in.	-0.02275	36.9 Kips ft	2.02e-03 1/in.
0.0019	0.9 in.	-0.02422	37.7 Kips ft	2.15e-03 1/in.
0.0020	0.9 in.	-0.02567	38.4 Kips ft	2.28e-03 1/in.
0.0025	0.9 in.	-0.03266	41.2 Kips ft	2.90e-03 1/in.
0.0030	0.9 in.	-0.03927	43.2 Kips ft	3.48e-03 1/in.
0.0035	0.9 in.	-0.04548	44.6 Kips ft	4.03e-03 1/in.
0.0040	0.9 in.	-0.05141	45.6 Kips ft	4.56e-03 1/in.
0.0045	0.9 in.	-0.05708	46.4 Kips ft	5.07e-03 1/in.

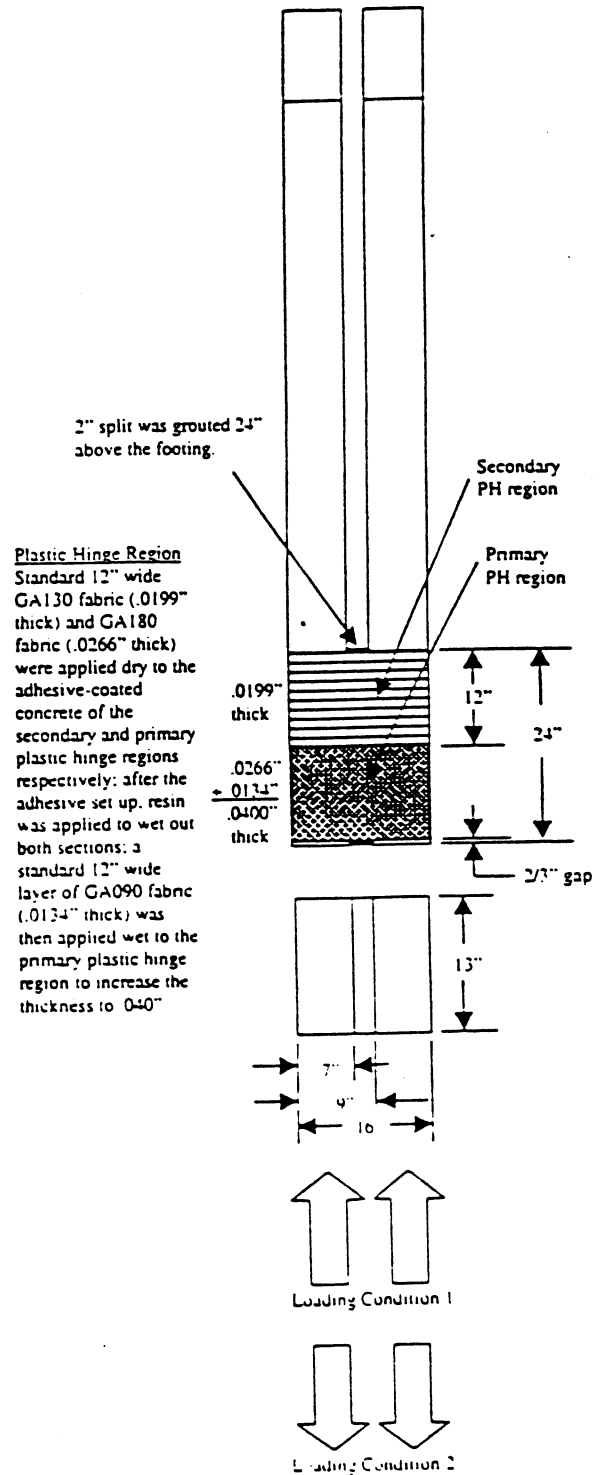
Ultimate concrete strain was exceeded.

Composite Lay-up for WSU Split Column Tests

Out-of-Phase. Longitudinal Loading. Double Bending ("Chopsticks")



Transverse Loading. Single Bending ("Grouted")



Quantities of products used to construct the lav-ups

<u>Carbon Fiber Fabric</u>	<u>"Chopsticks"</u>		<u>"Grouted"</u>
	<u>Plastic Hinges (4 places)</u>	<u>Crack</u>	<u>Plastic Hinge</u>
GA090 8.9 oz/yd ² .0134" thick	(1) 47¼ x 12" (1) 47¼" x 6"	-	(1) 65" x 12" (lower 12")
GA130 13.2 oz/yd ² .0199" thick	-	-	(1) 65" x 12" (upper 12")
GA180 17.7 oz/yd ² .0266" thick	-	(1) 65" x 12" (1) 65" x 6"	(1) 65" x 12" (lower 12")

(all fabrics are 12K, all come 12" wide standard (6" wide sections had to be cut), thickness assumes 50% V_i)

<u>Adhesive</u>	<u>"Chopsticks"</u>		<u>"Grouted"</u>
	<u>Plastic Hinges (4 places)</u>	<u>Crack</u>	<u>Plastic Hinge</u>
Bondtite R37	not used	1.210 lbs.	2.37 lbs.
Bondtite H37	not used	.403 lbs.	.79 lbs.

(3:1 mix ratio; coverage rate: .333lbs/ft²)

<u>Resin</u>	<u>"Chopsticks"</u>		<u>"Grouted"</u>
	<u>Plastic Hinges (4 places)</u>	<u>Crack</u>	<u>Plastic Hinge</u>
826	(2) 2.274 lbs.	2.178 lbs.	3.18 lbs.
3379	(2) 1.170 lbs.	1.122 lbs.	1.62 lbs.

Note: 2 kits of the size shown were made to wet out the "Chopsticks" PH regions - 1 kit was made for the two "bottom" PHs and another kit was made for the two "top" PHs. Since the "top" PHs were the last to be applied and wetted out, an additional .379 lbs. of 826 and .195 lbs. of 3379 were added to the kit in order to have some resin left over to wet out any "dry" or "drier looking" areas on either test column. As it turned out, this extra resin wasn't really needed, but was applied anyway.

